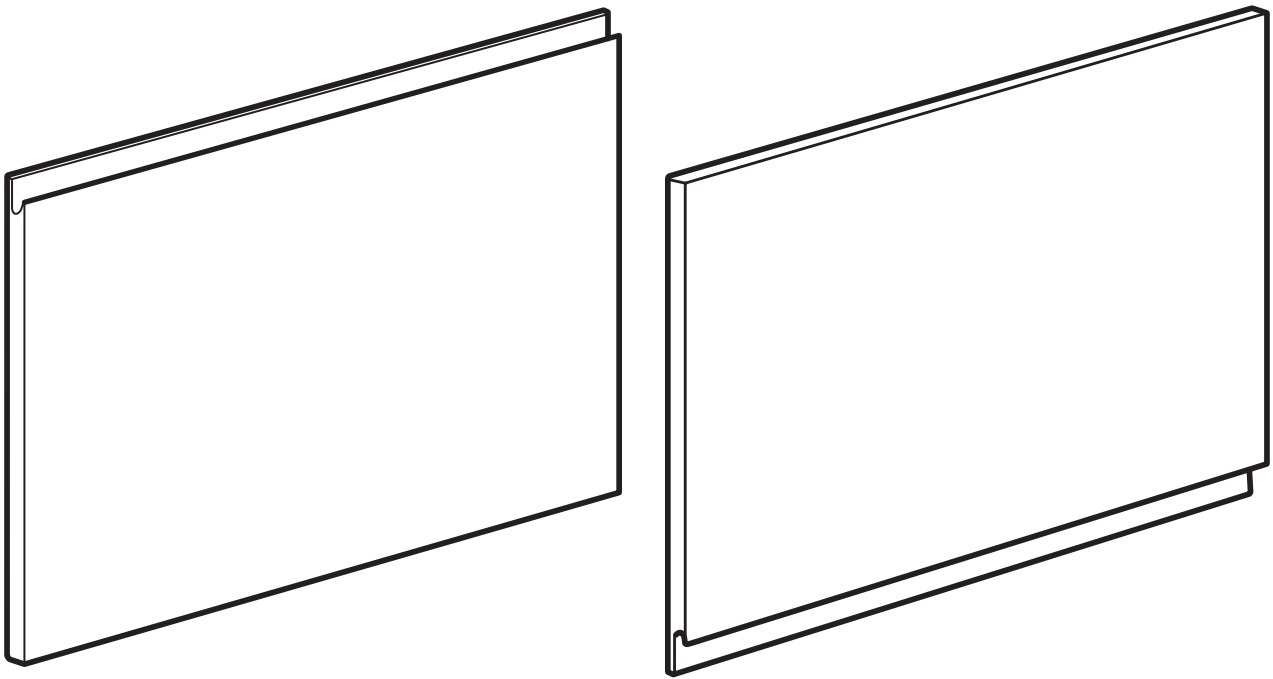
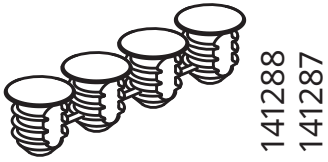
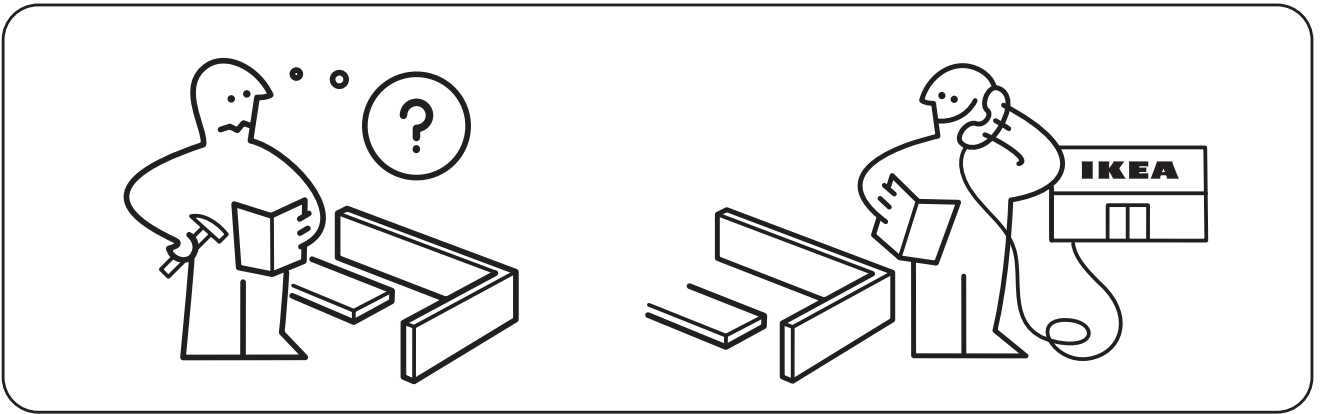
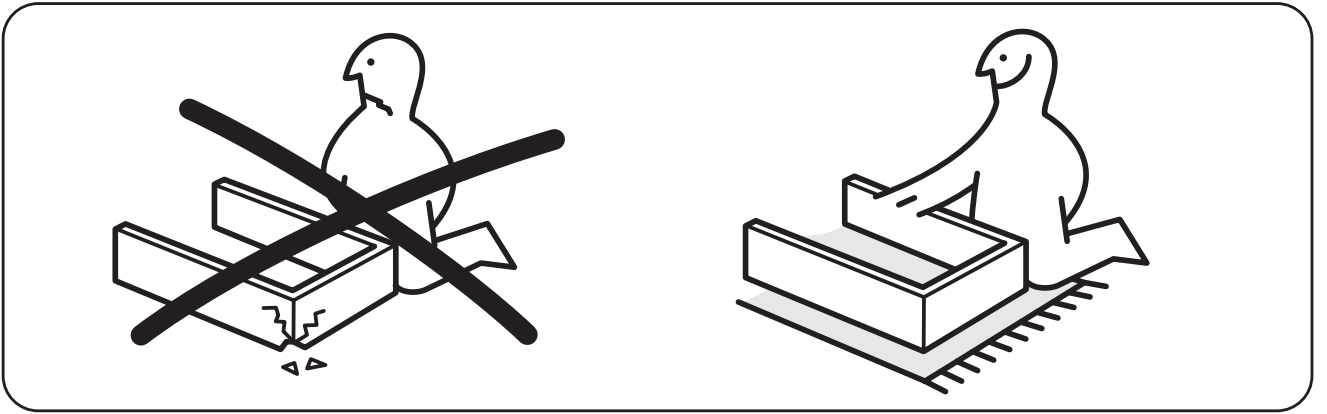


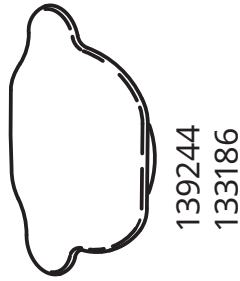
# VÄSTERVIKEN



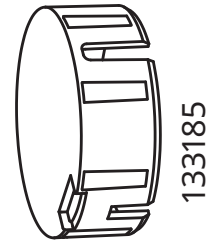
Design and Quality  
IKEA of Sweden



1x



2x



2x

