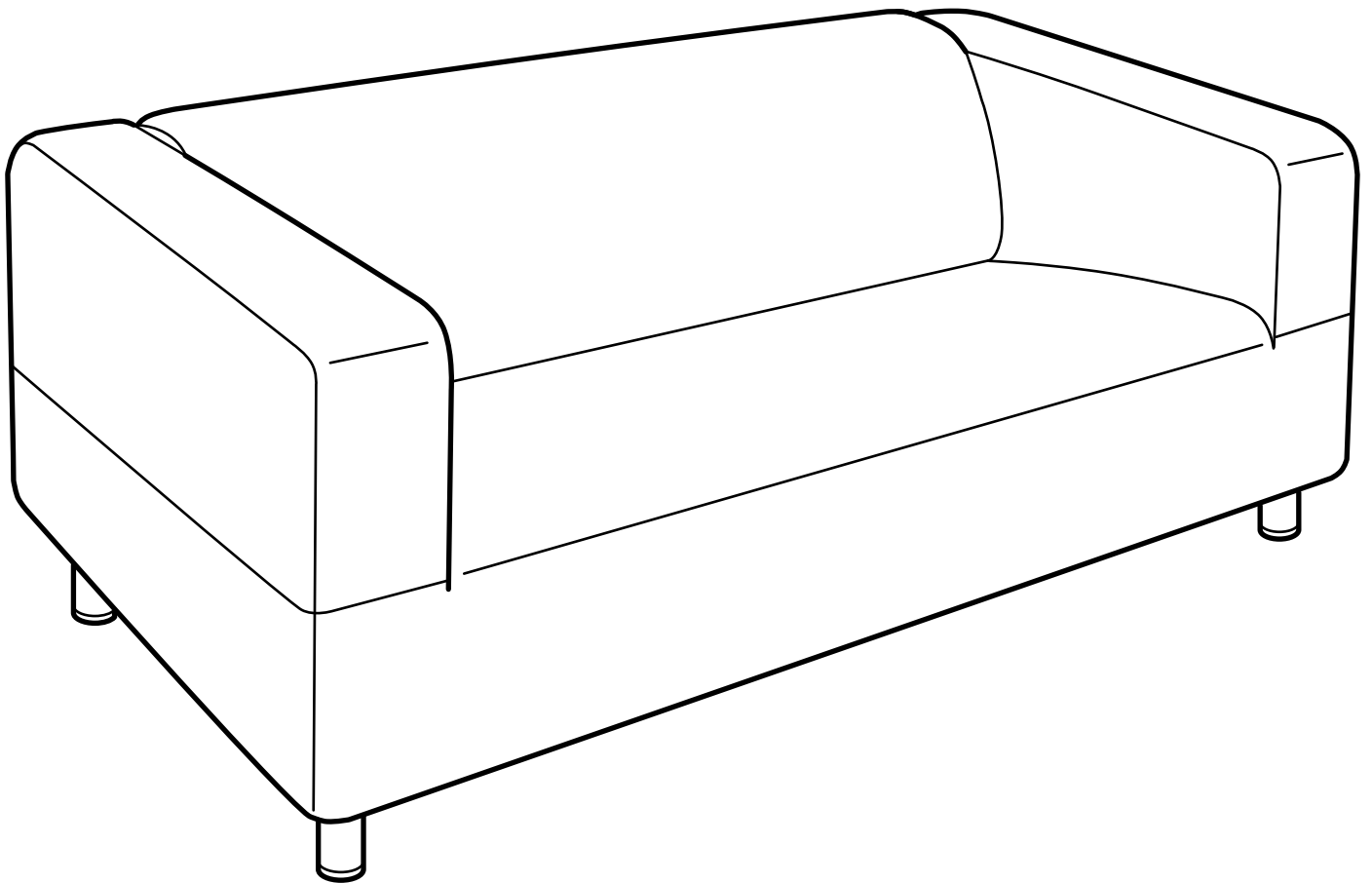
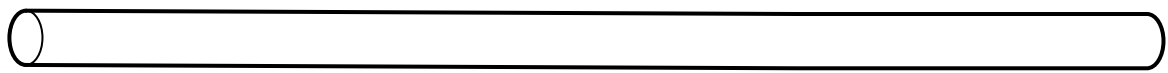
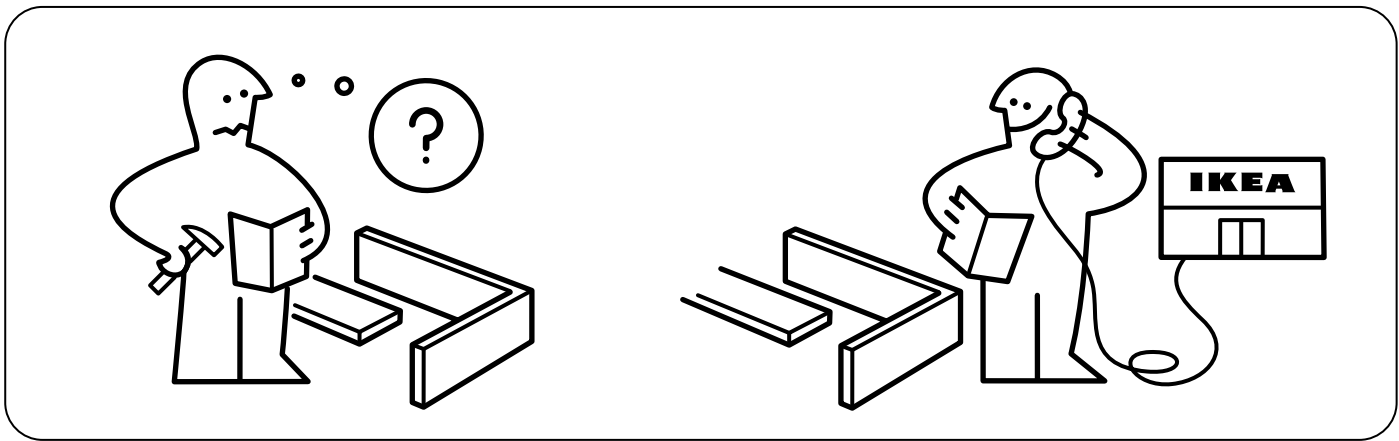
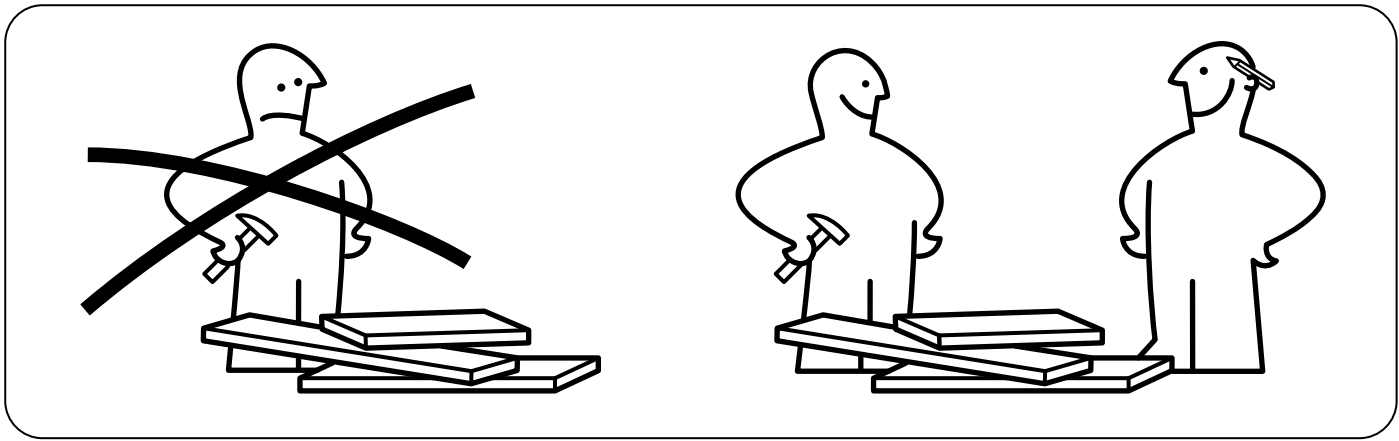


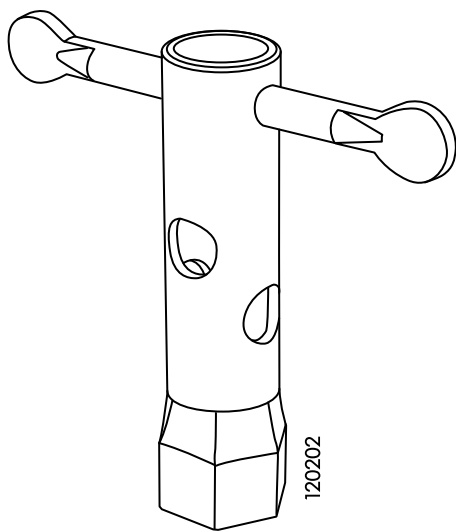
KLIPPAN



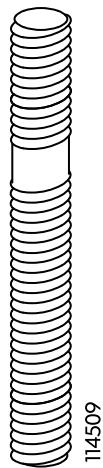
Design and Quality
IKEA of Sweden



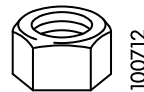
2x



1x



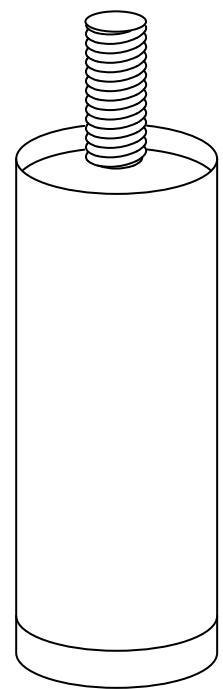
8x



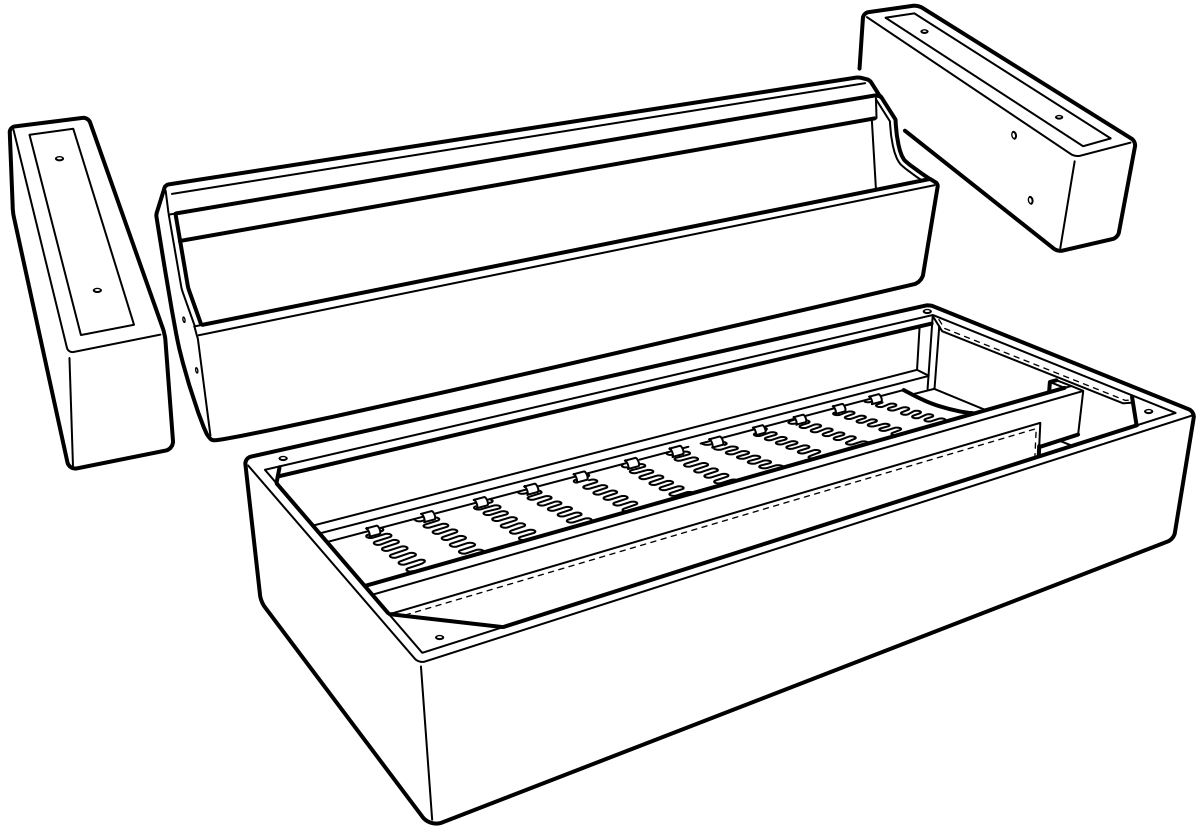
8x



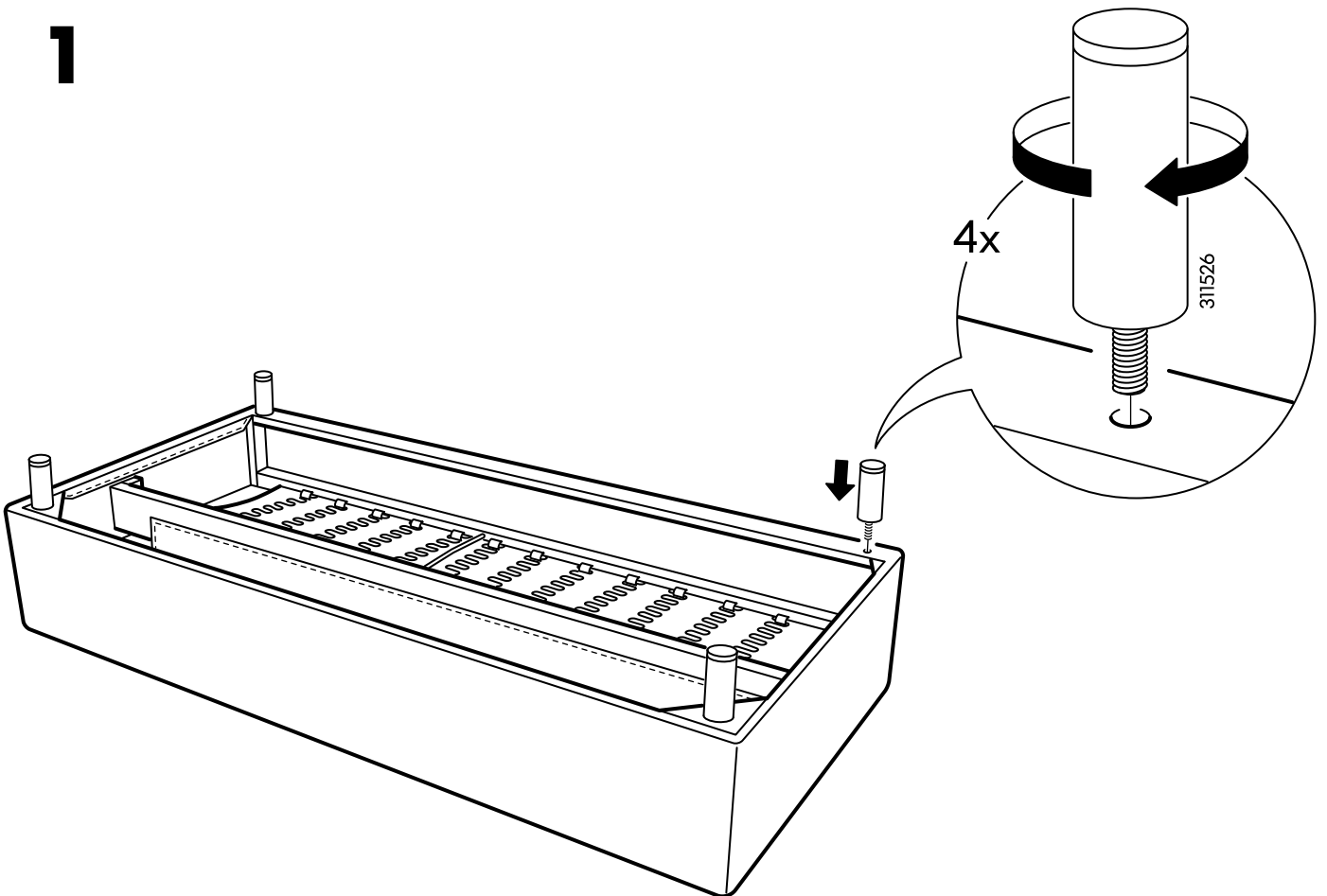
8x



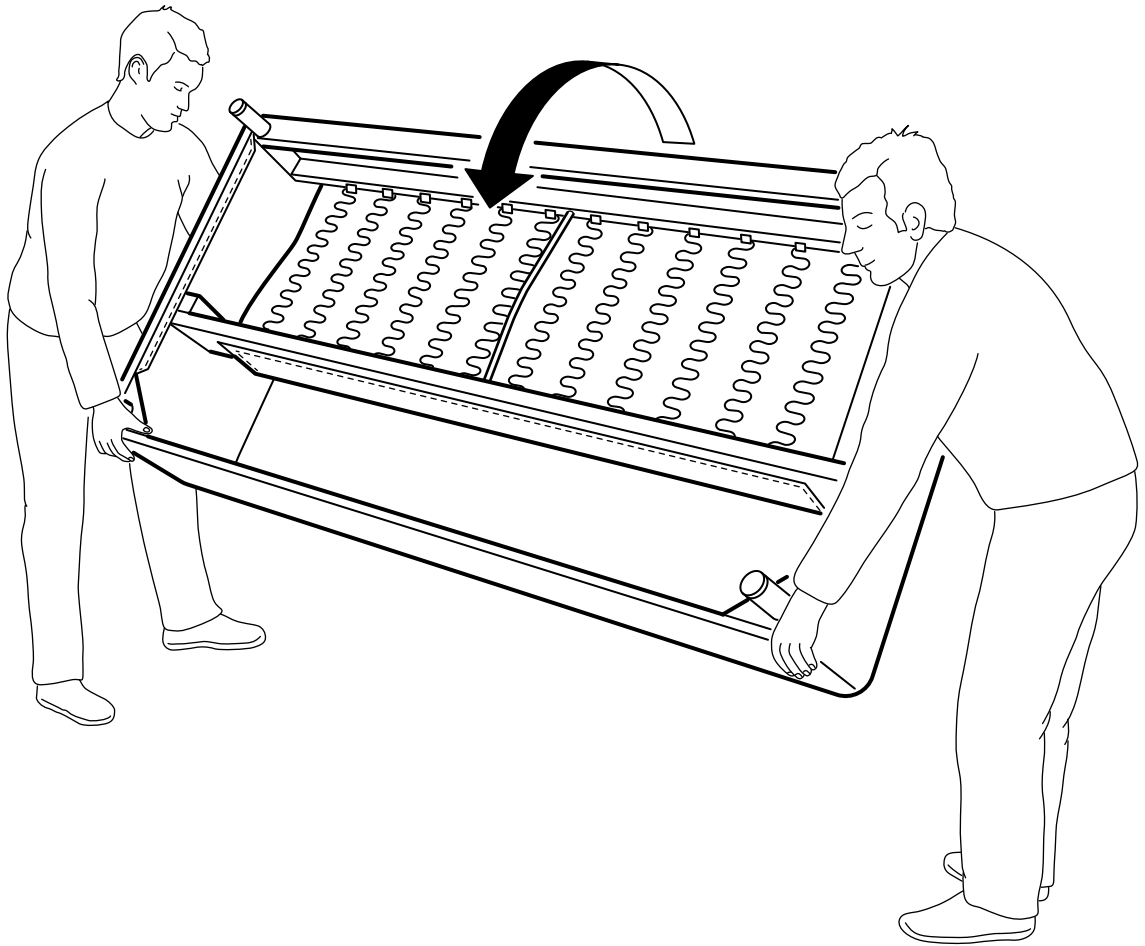
4x



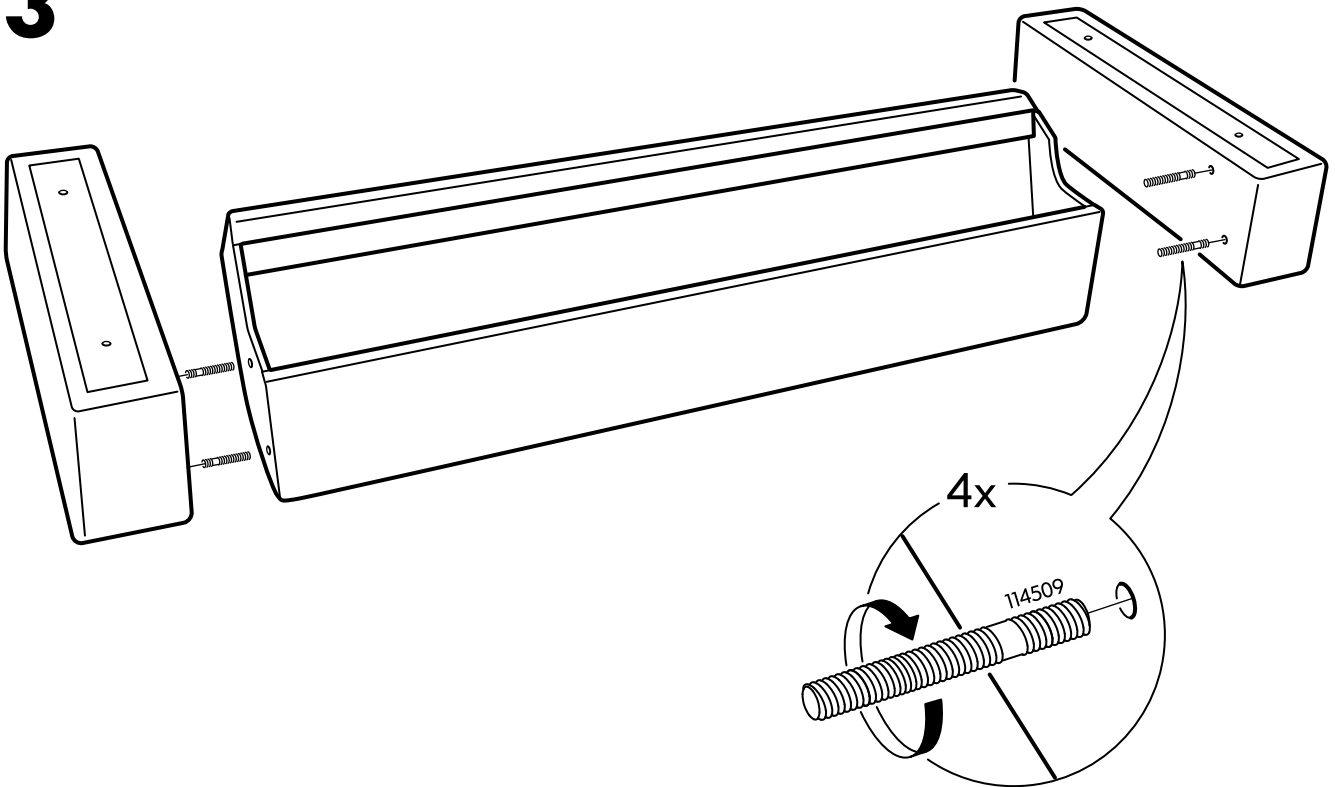
1



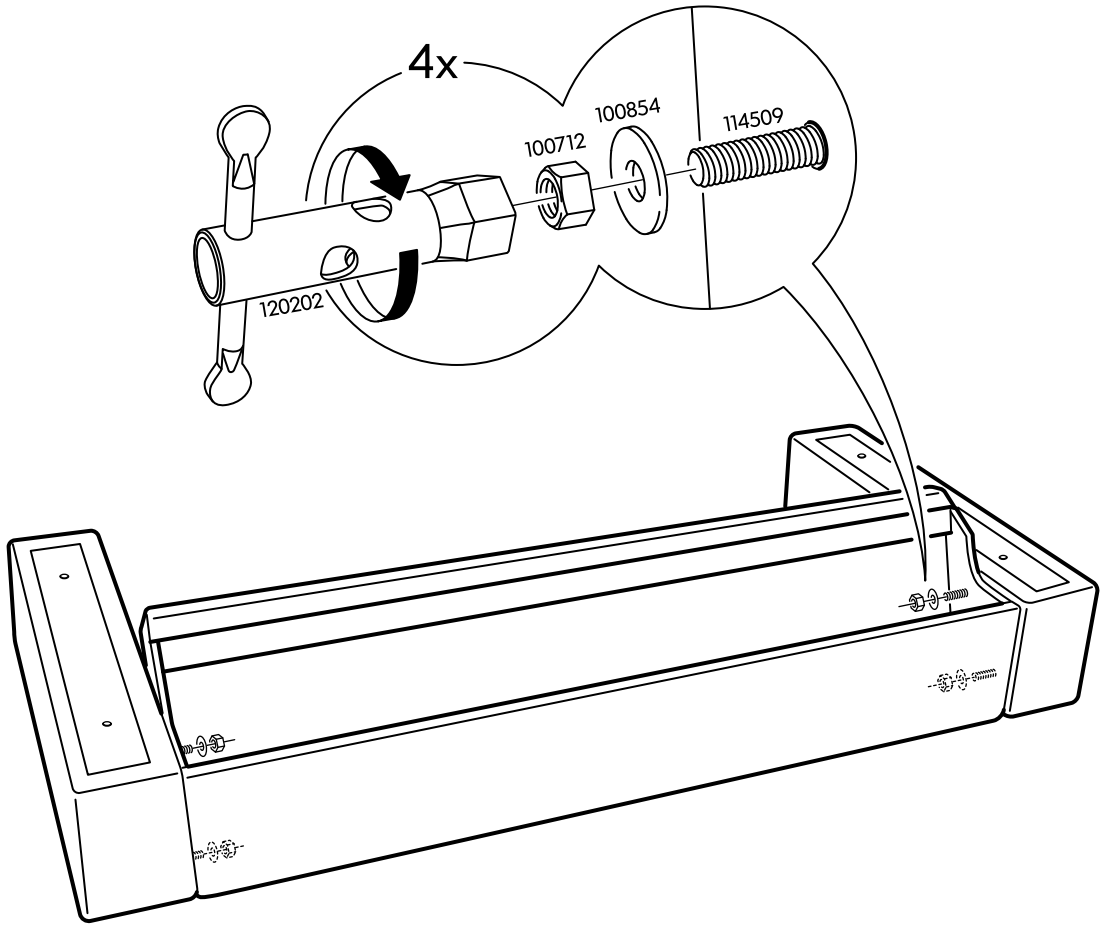
2



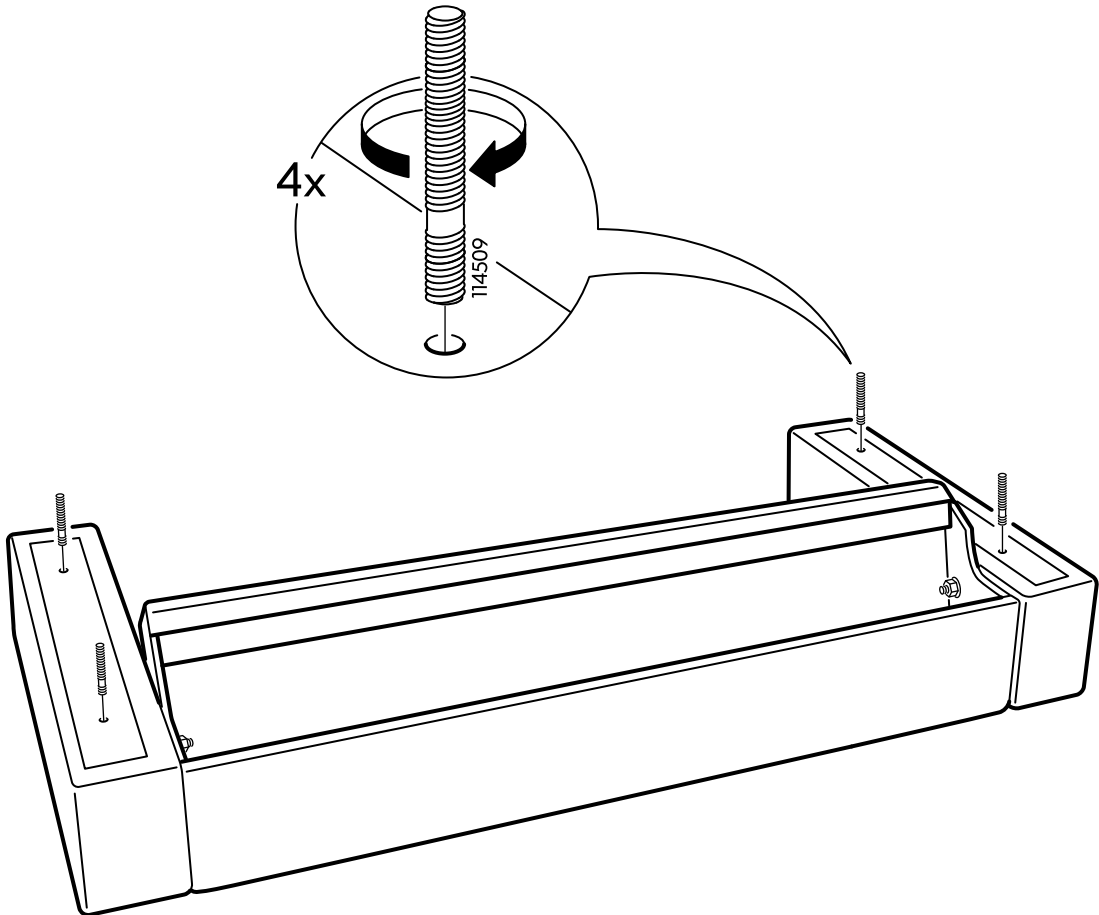
3



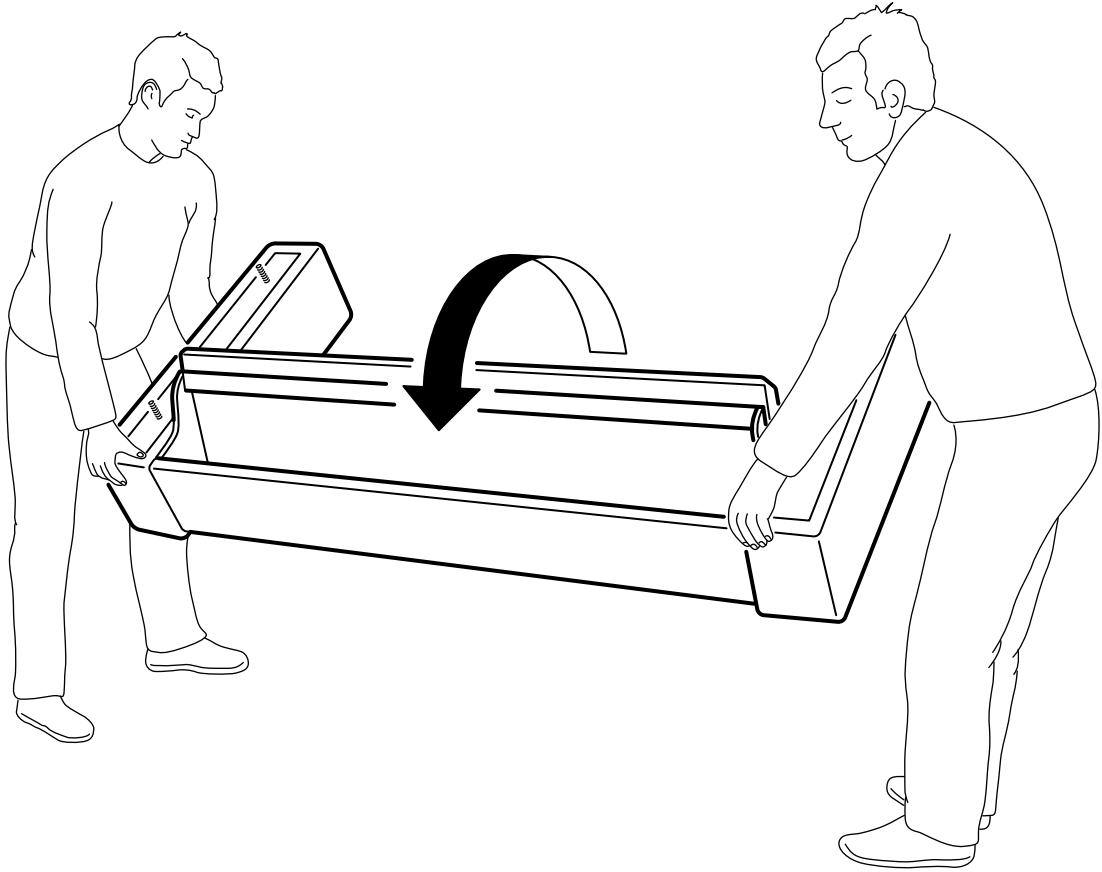
4



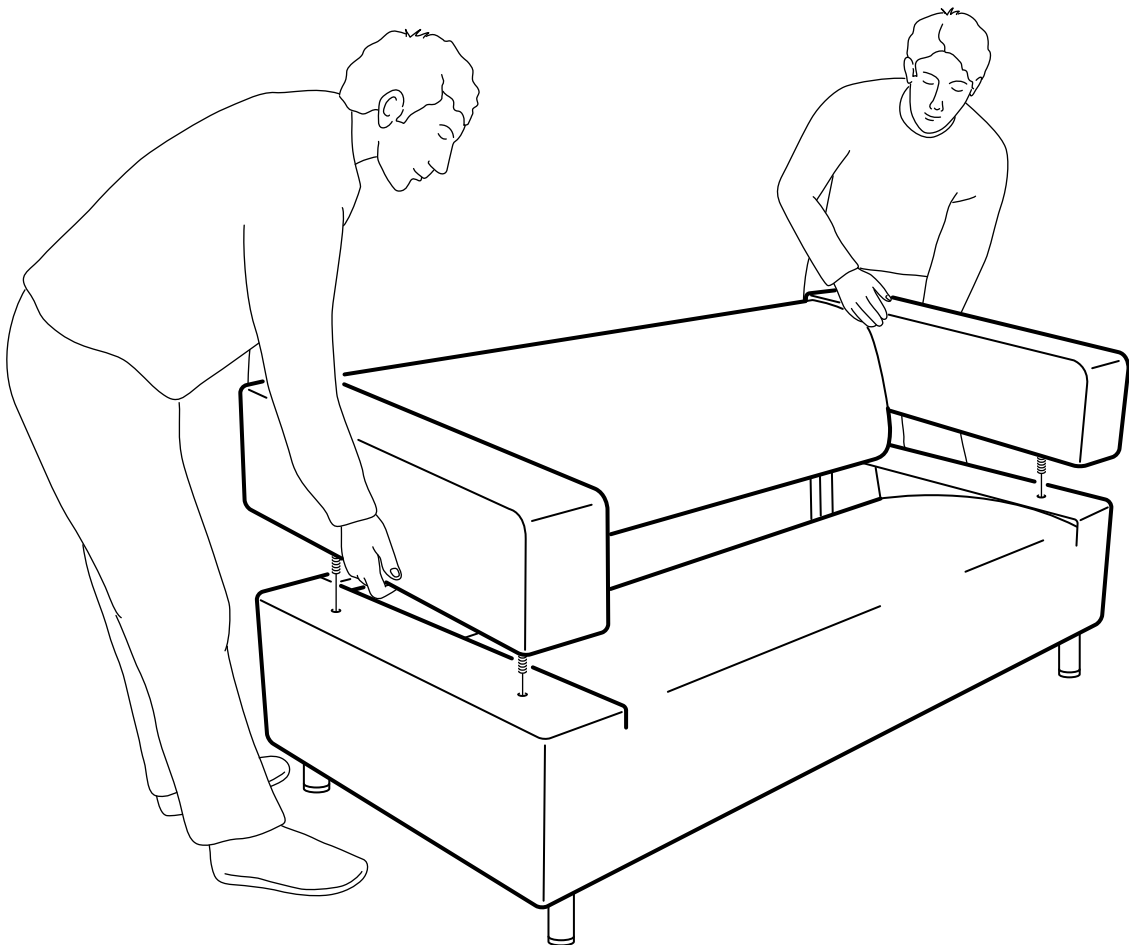
5



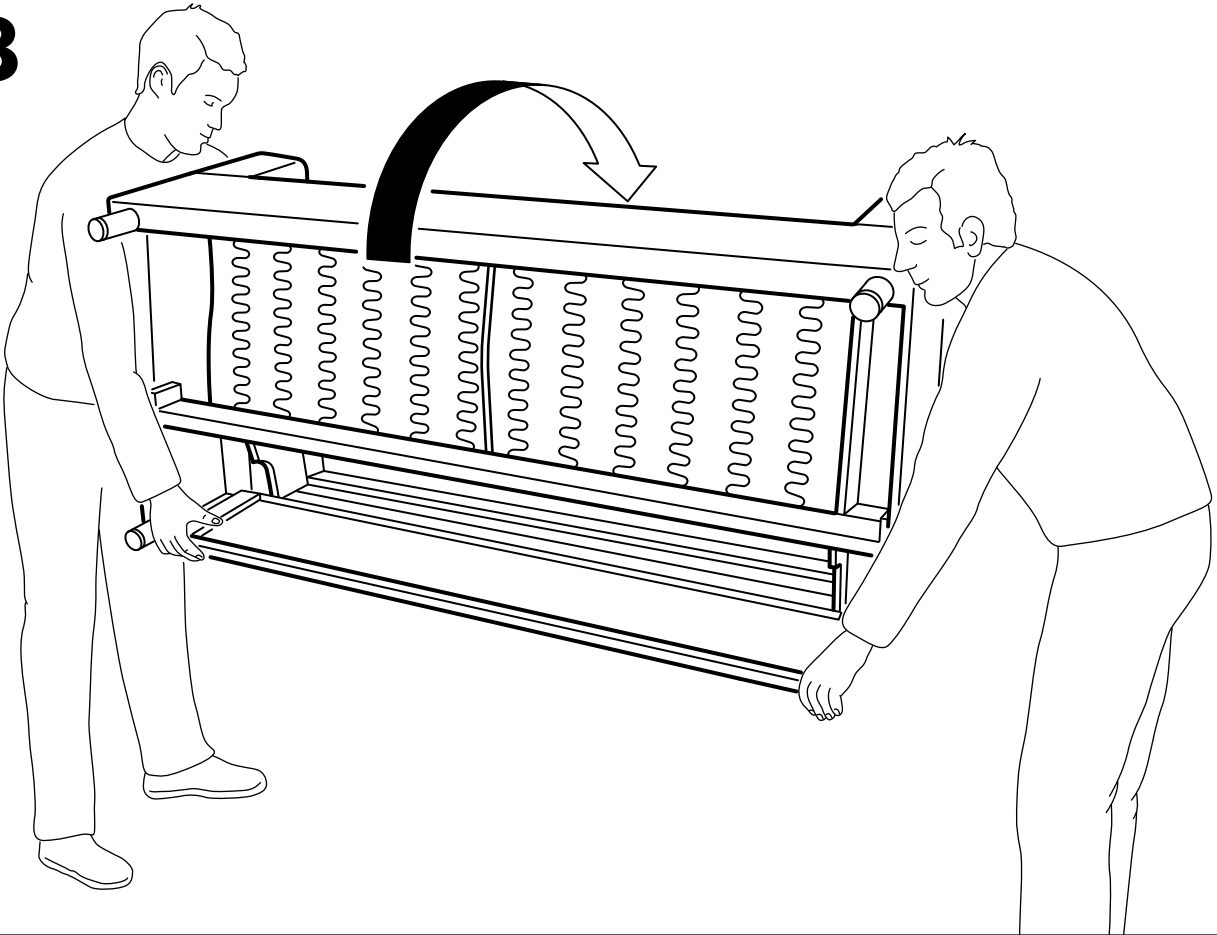
6



7



8



9

