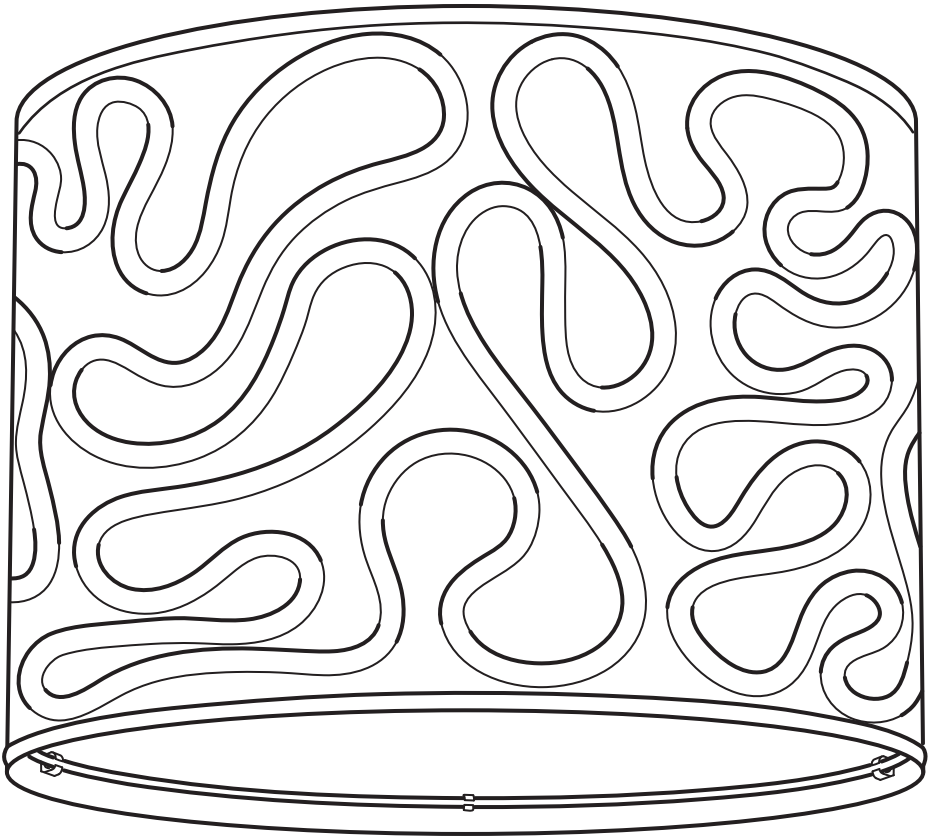
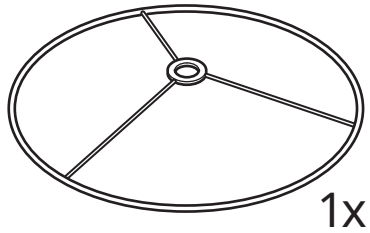
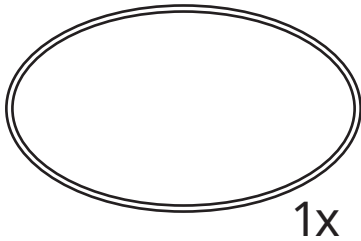
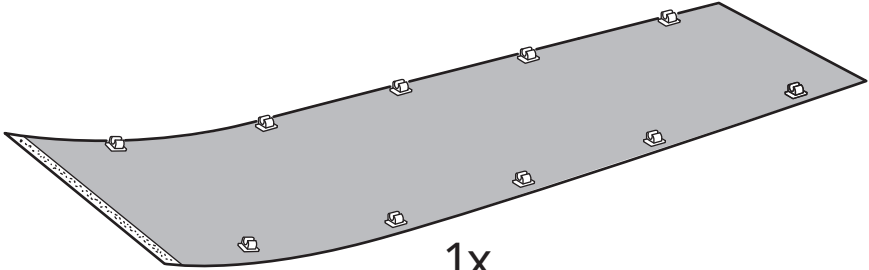
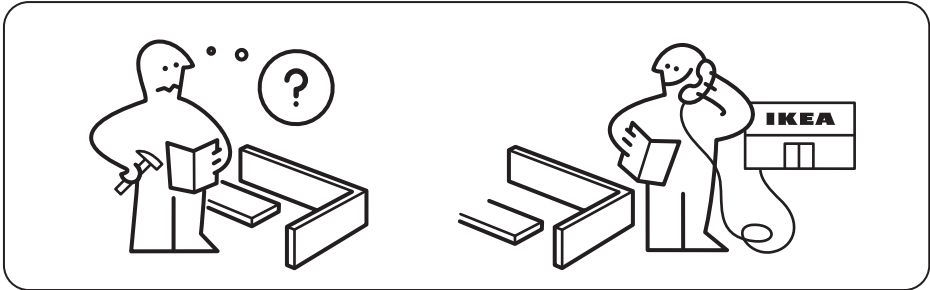
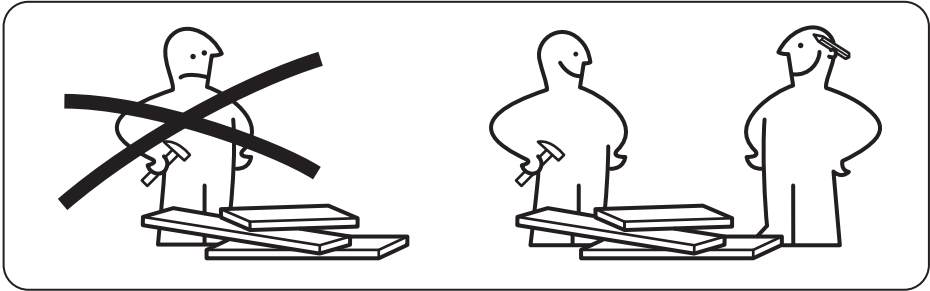


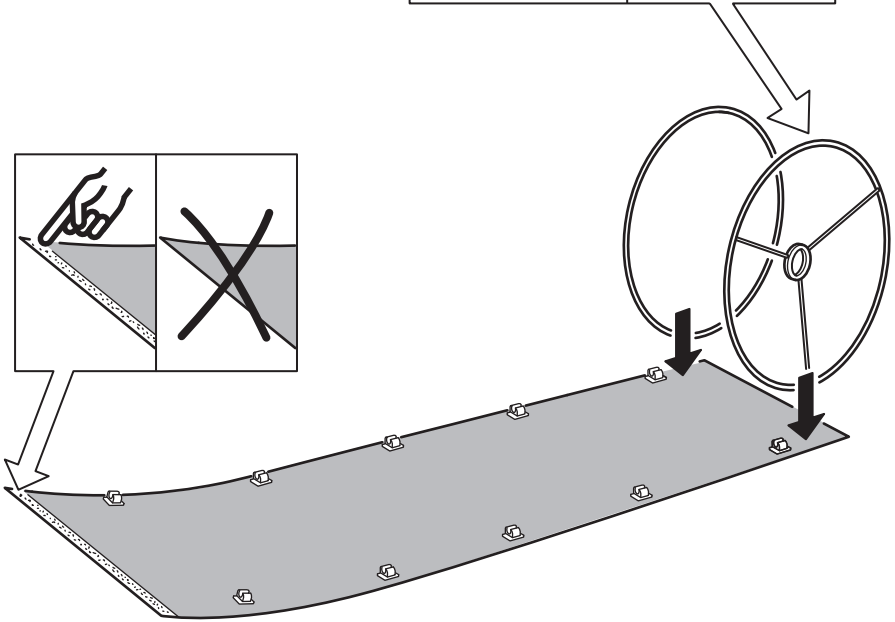
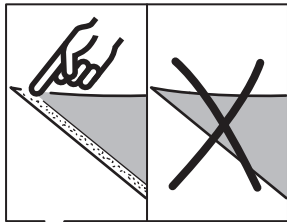
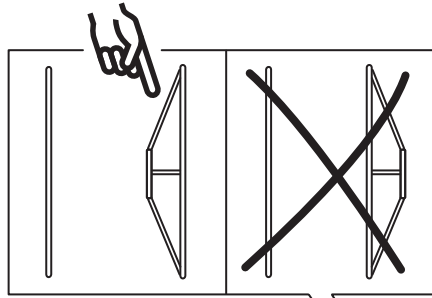
VINGMAST

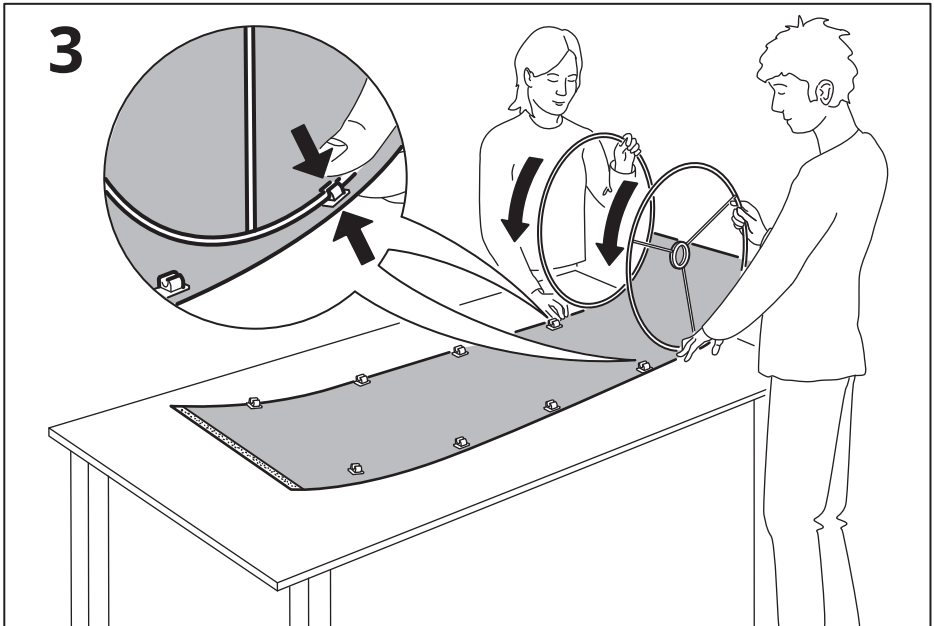
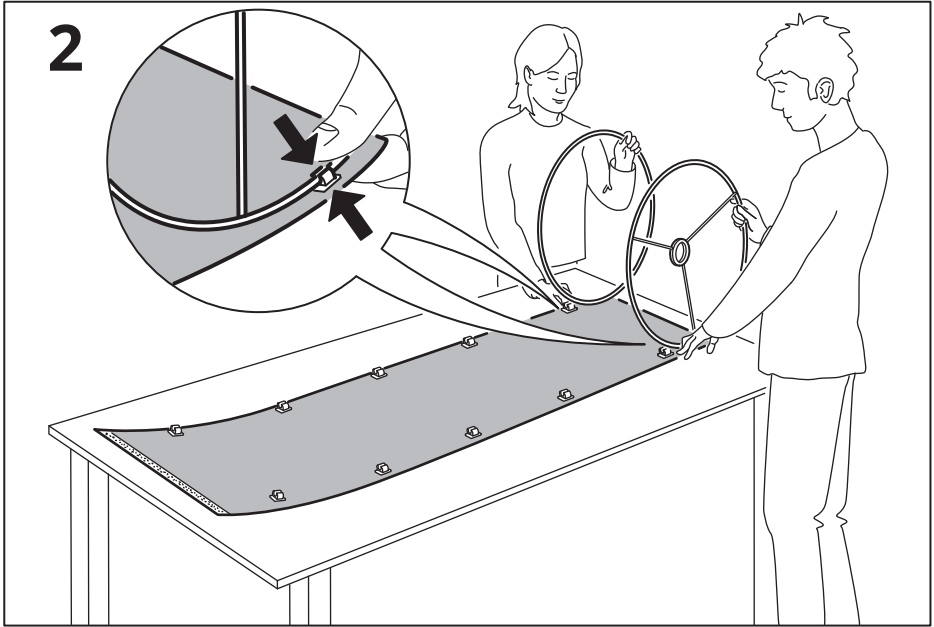


Design and Quality
IKEA of Sweden

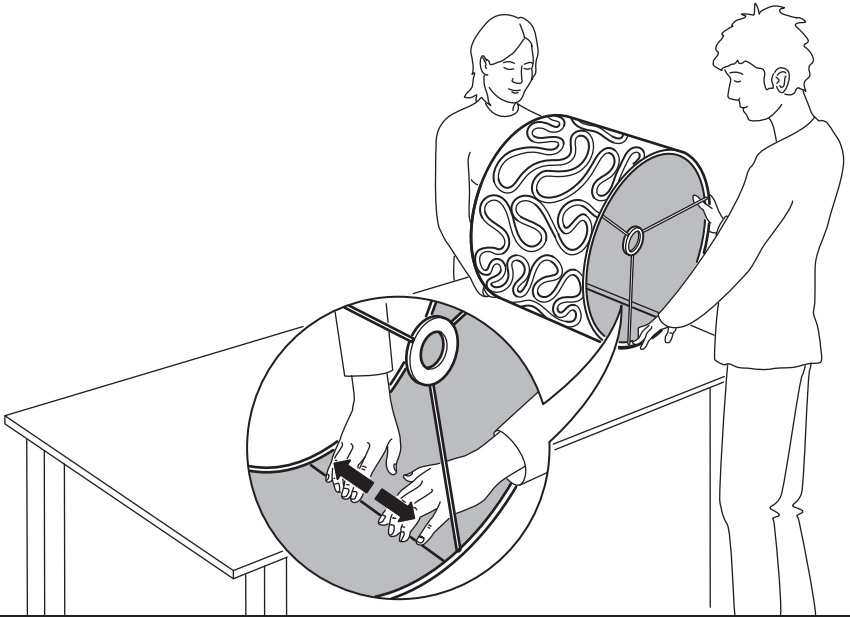


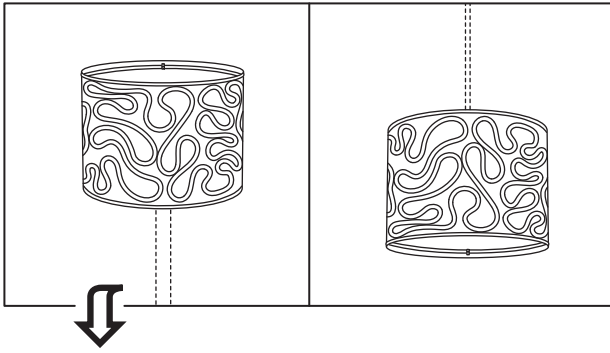
1



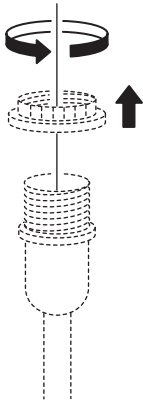


4

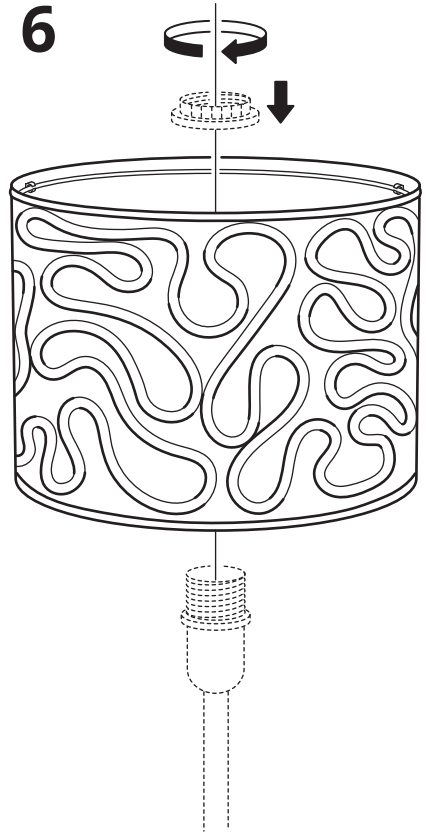


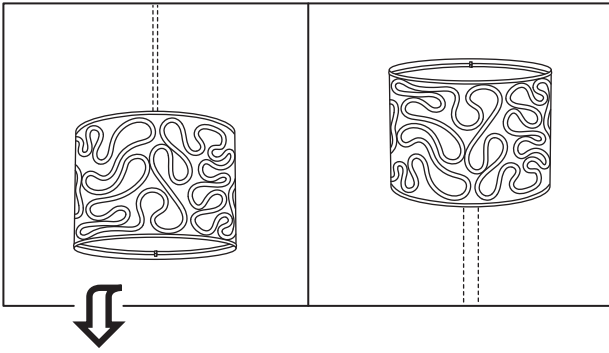


5

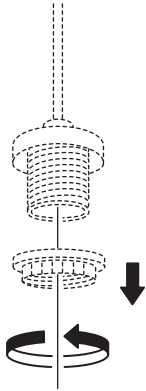


6





5



6

