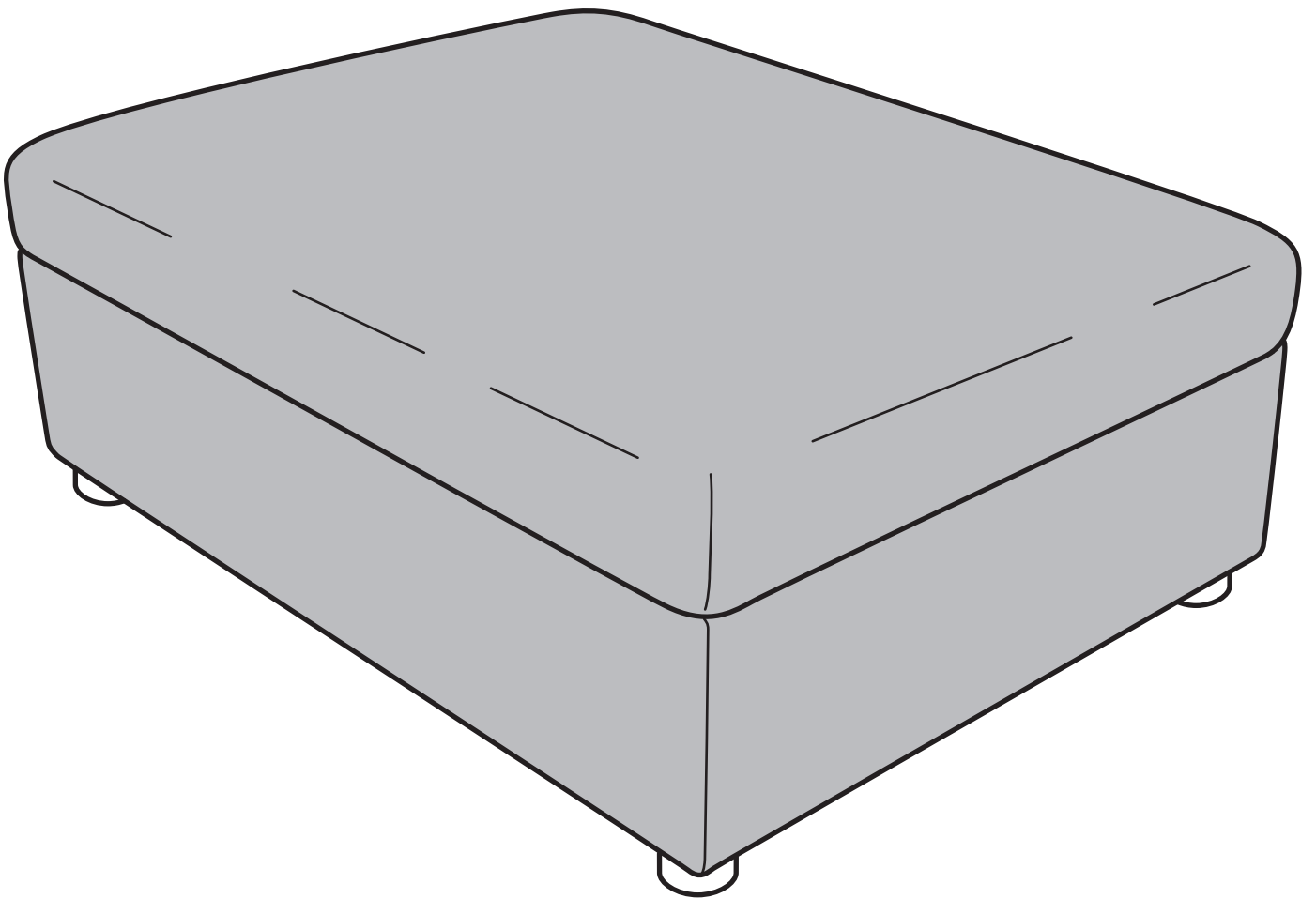
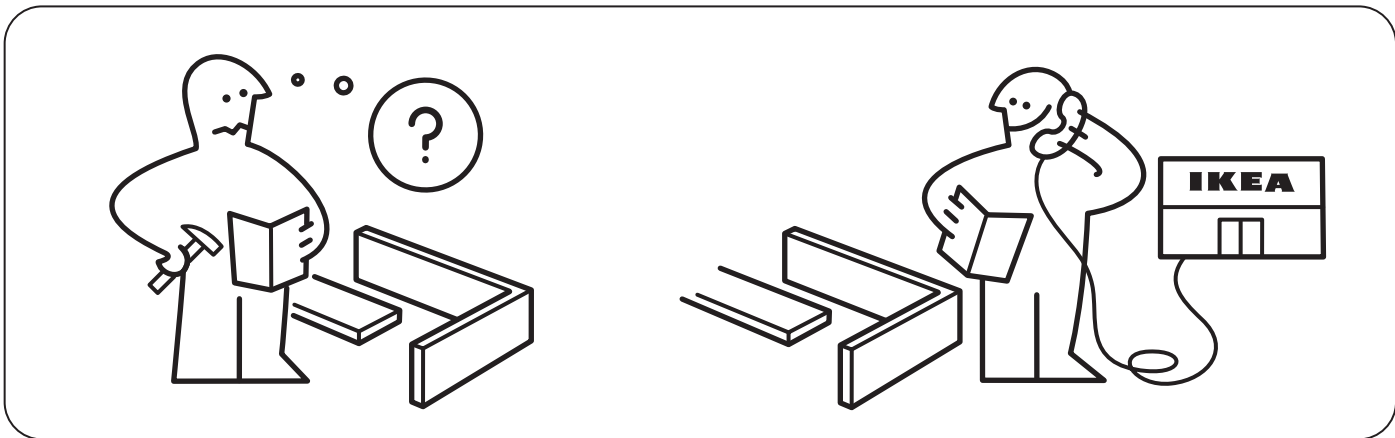
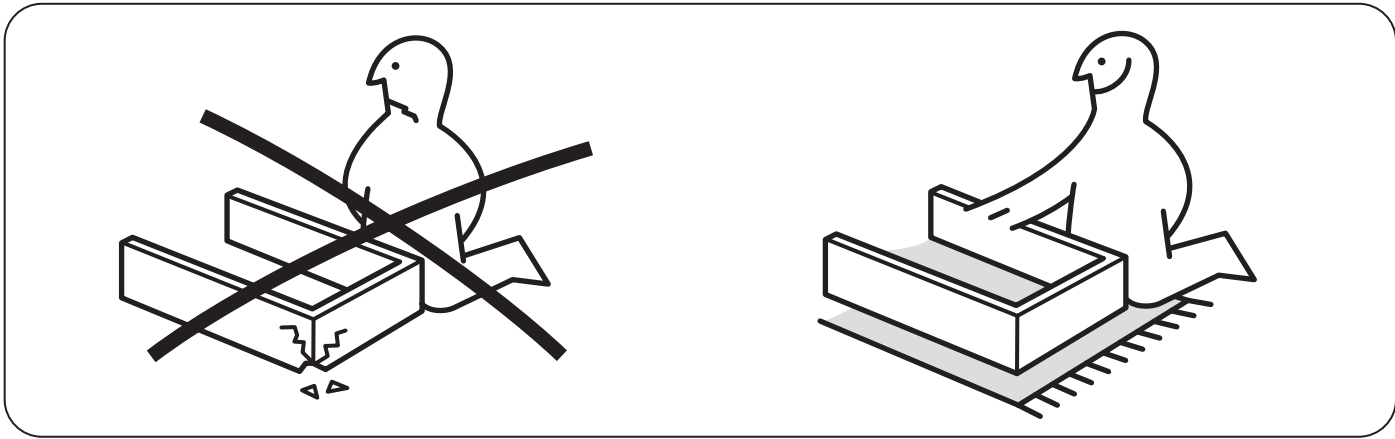
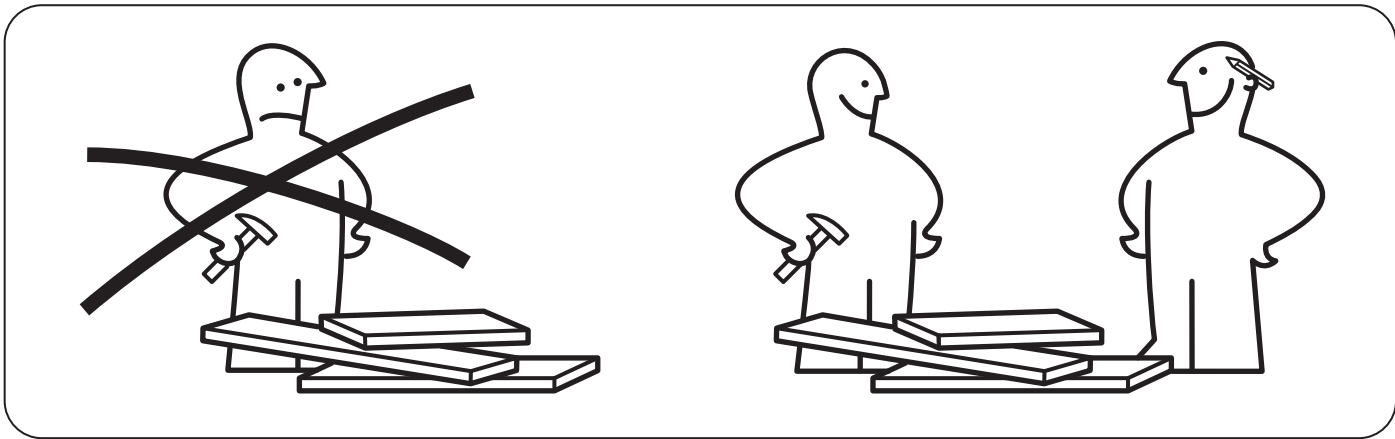
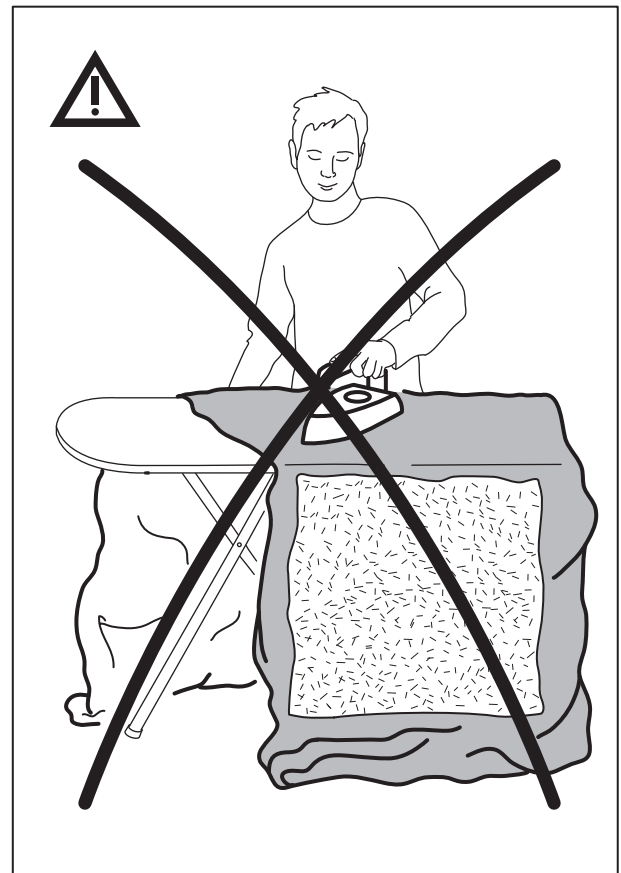
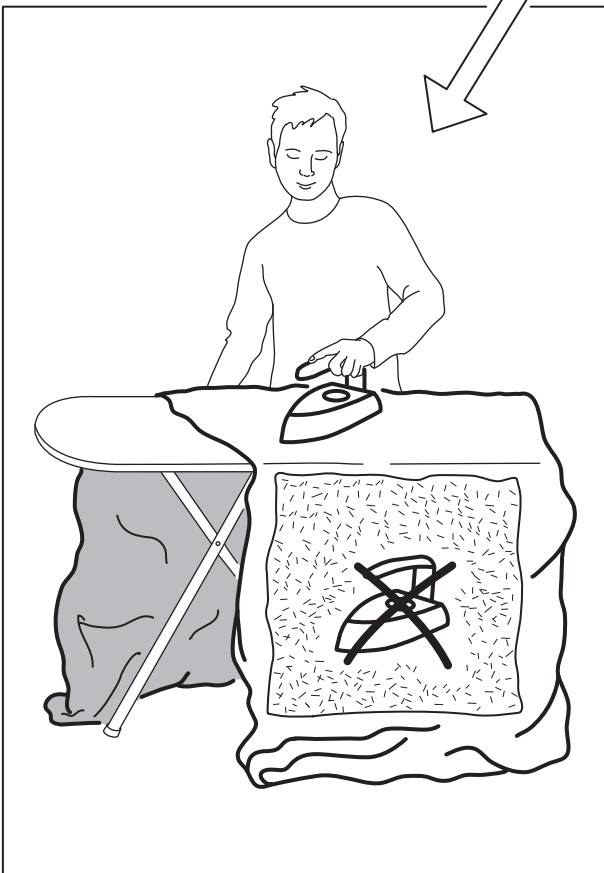
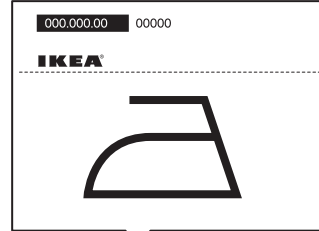
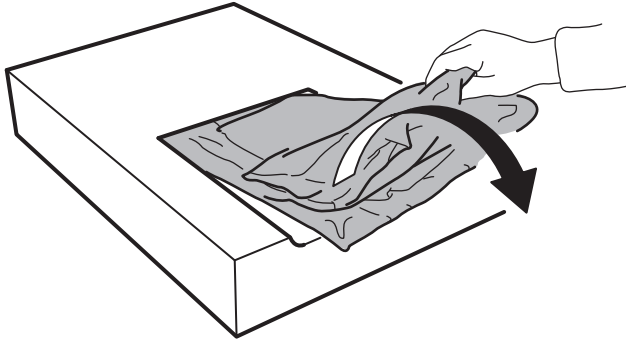


VIMLE ②

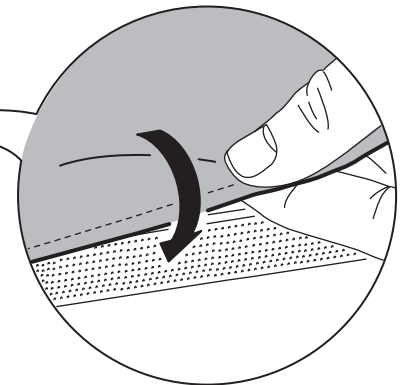
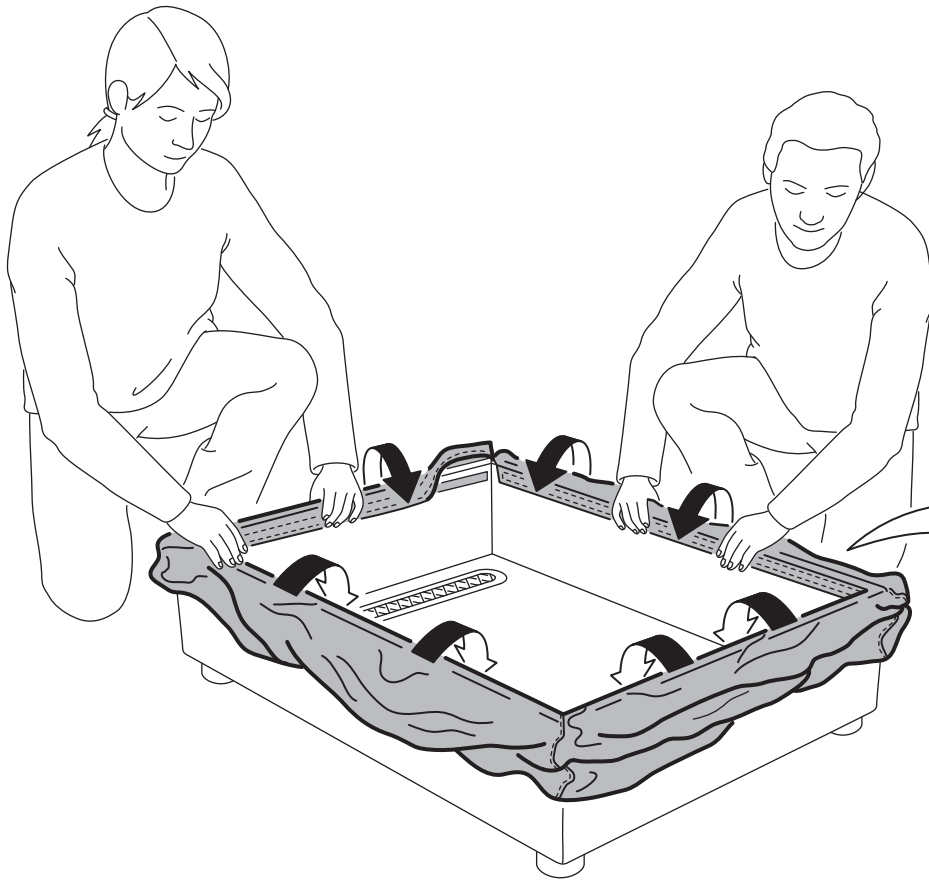
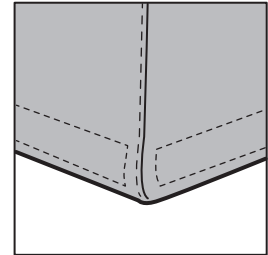
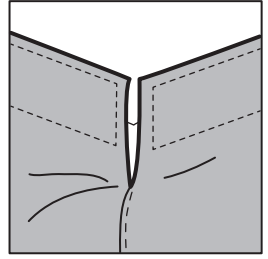
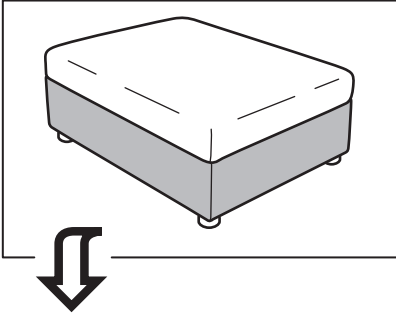


Design and Quality
IKEA of Sweden

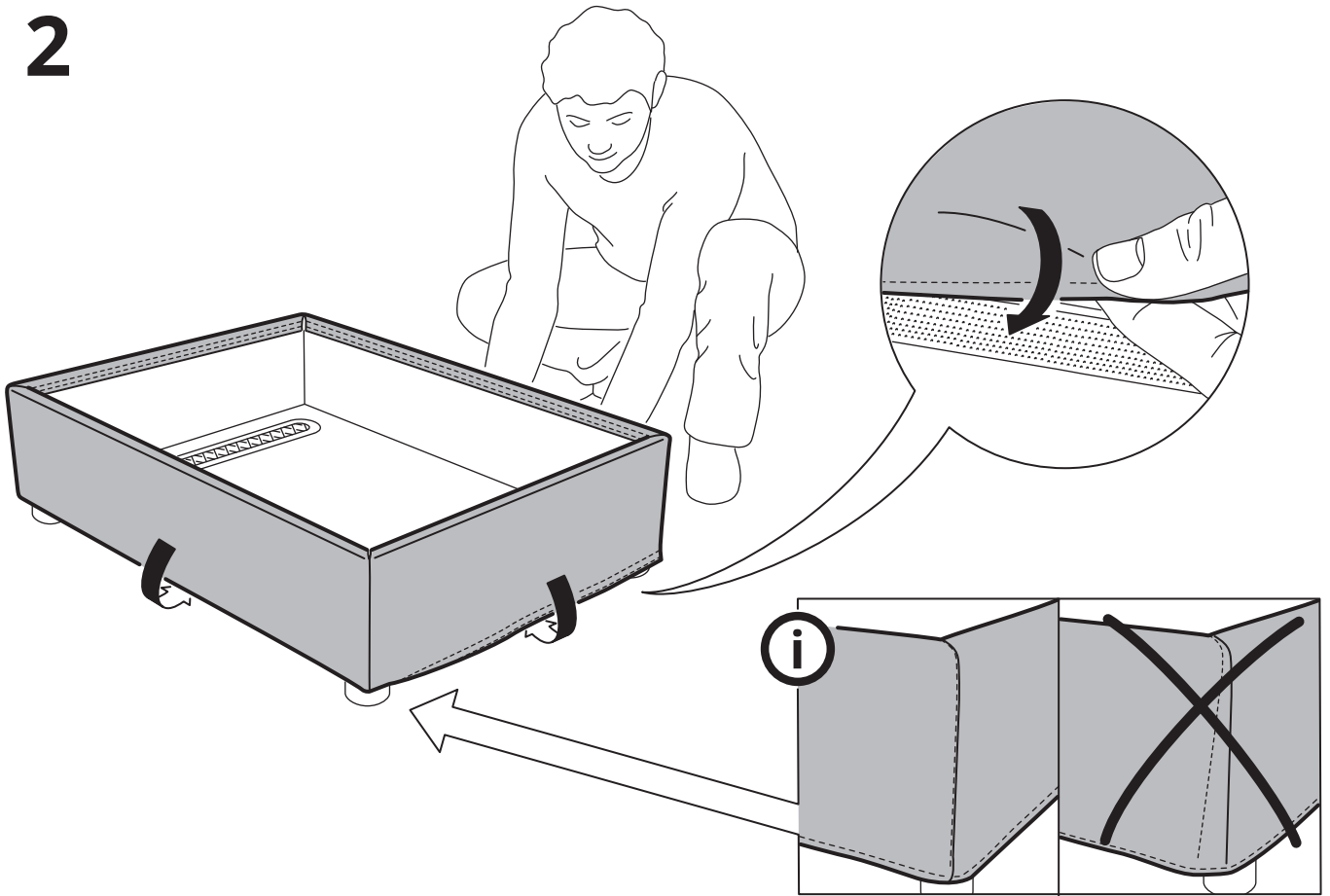




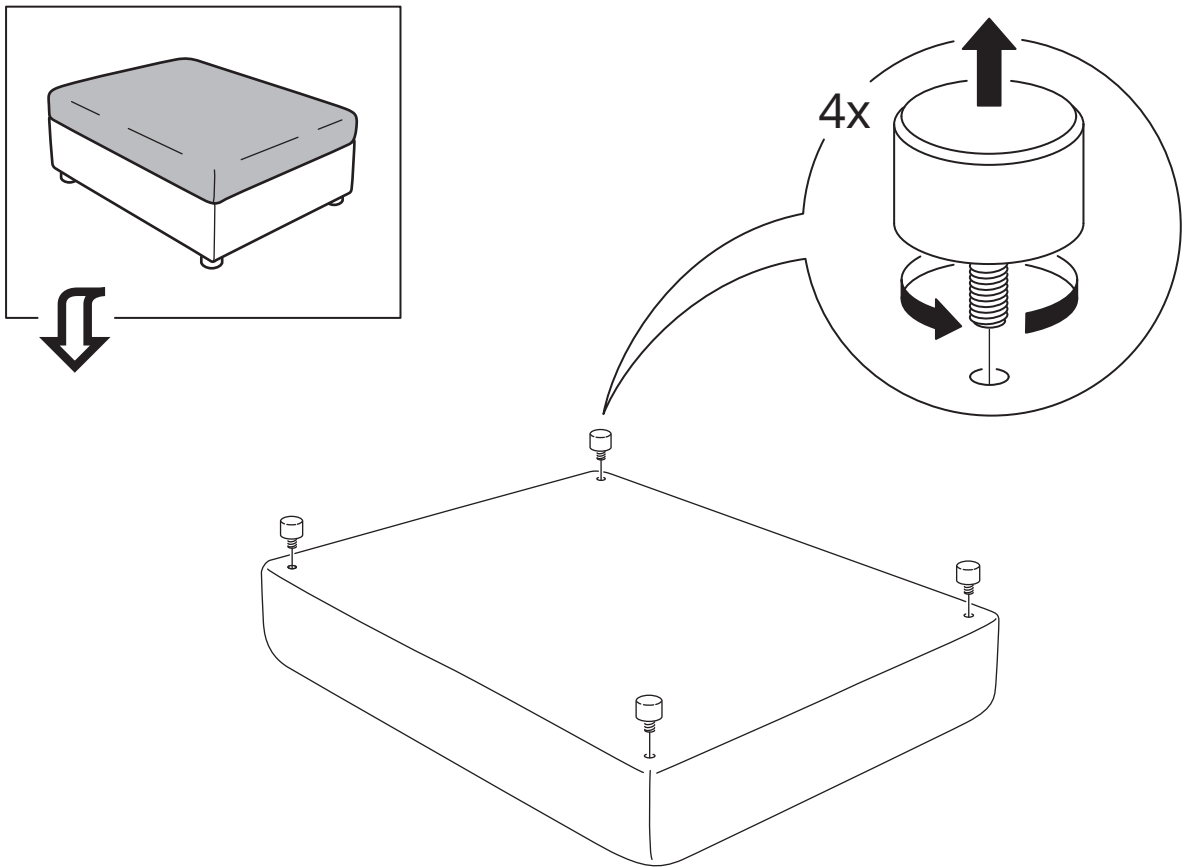
1



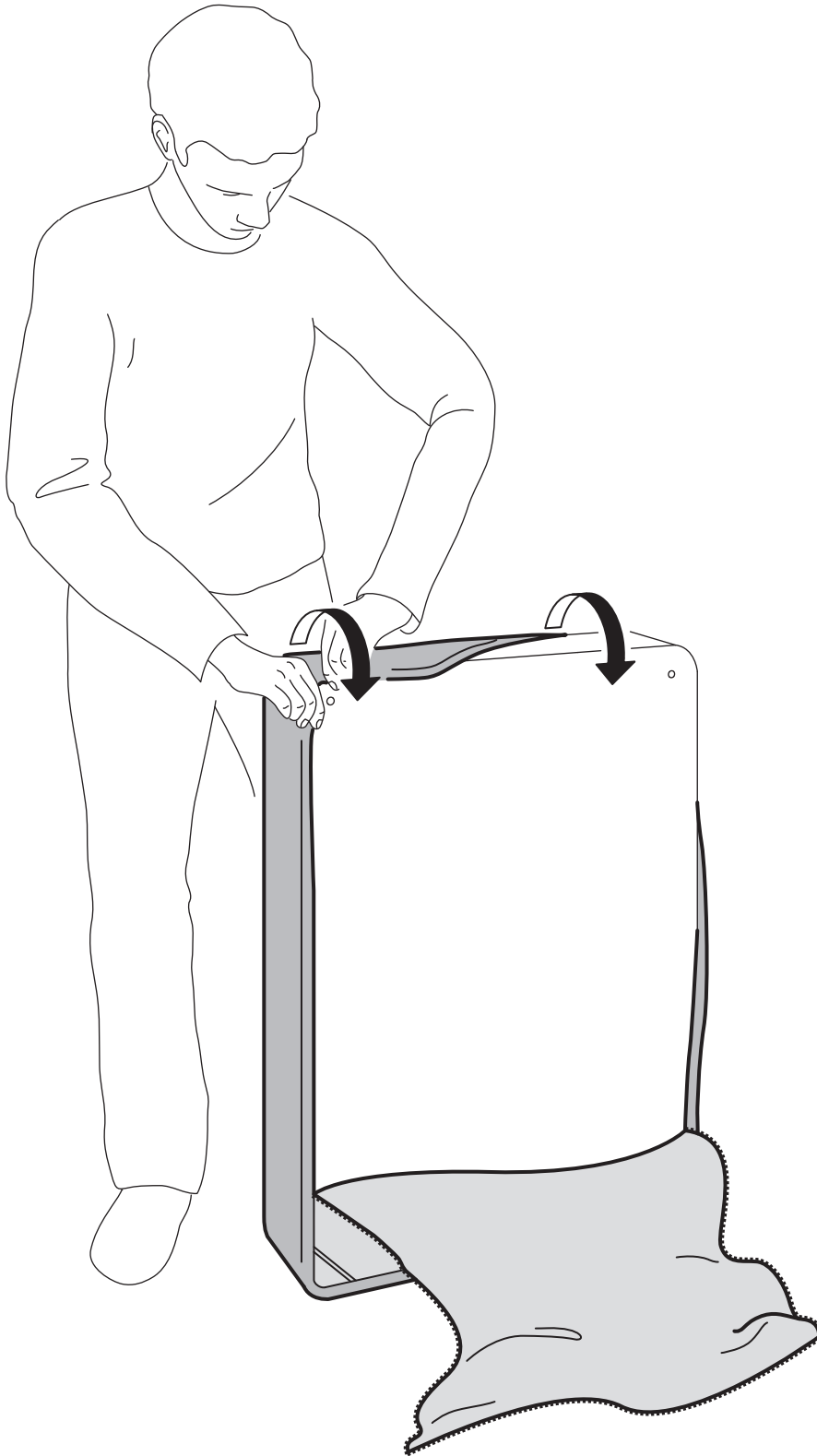
2



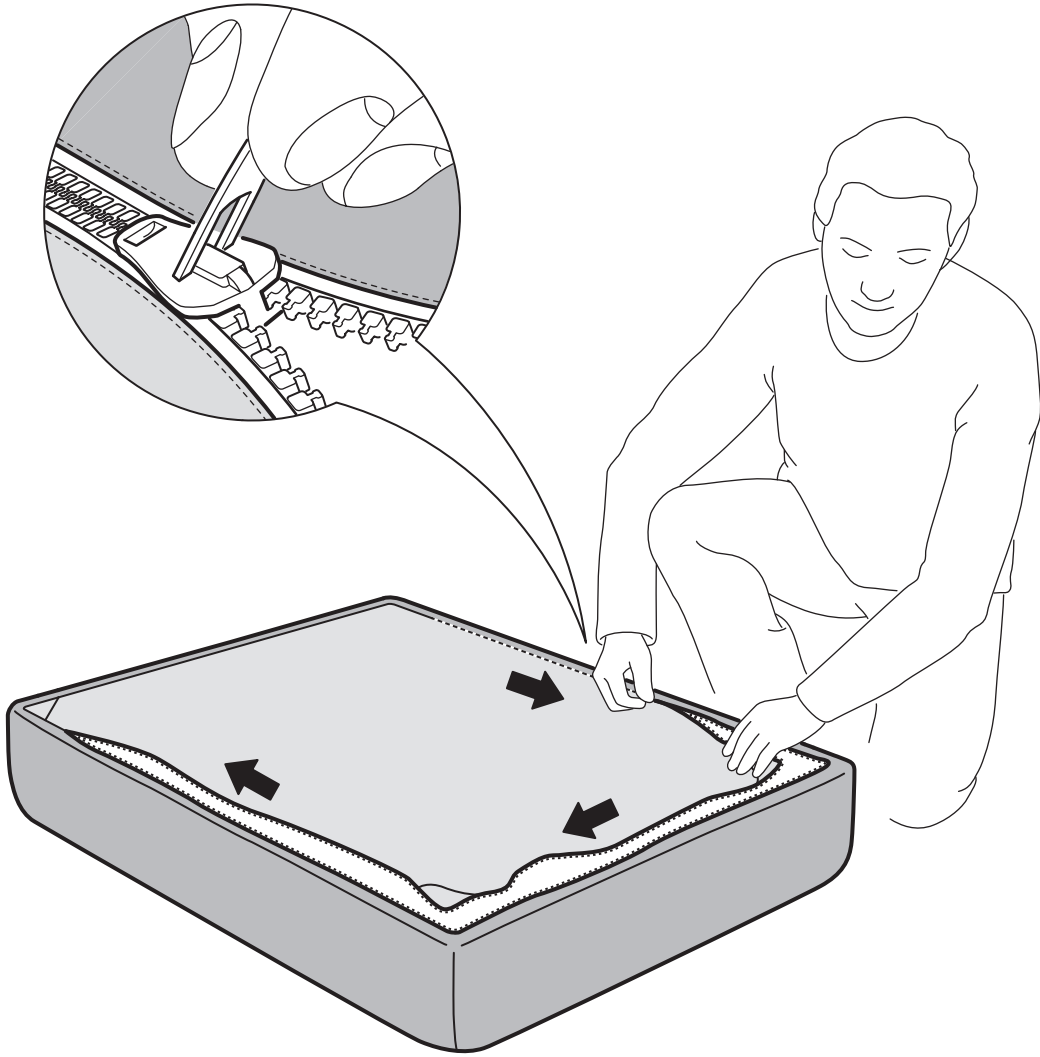
3



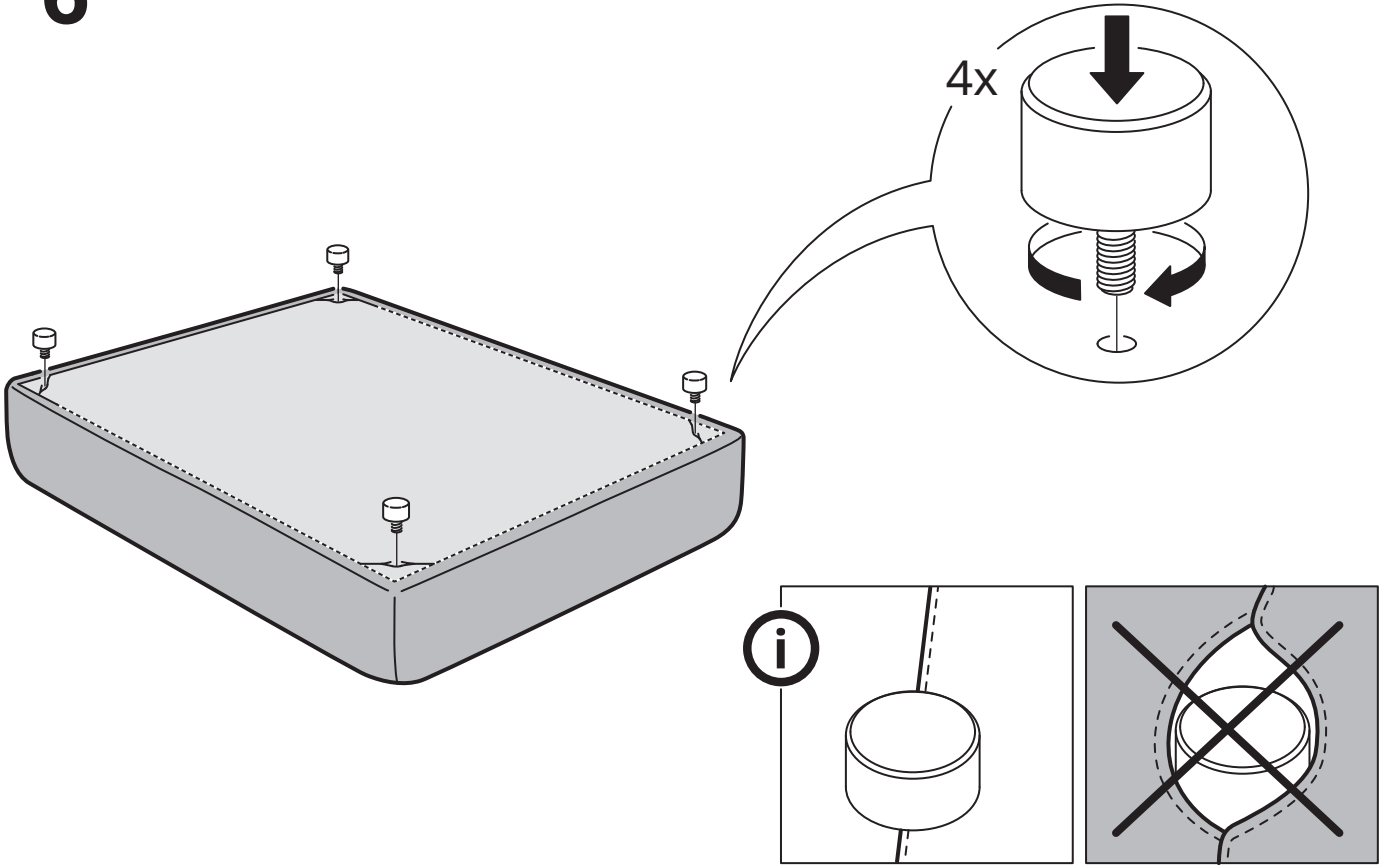
4



5



6



7

