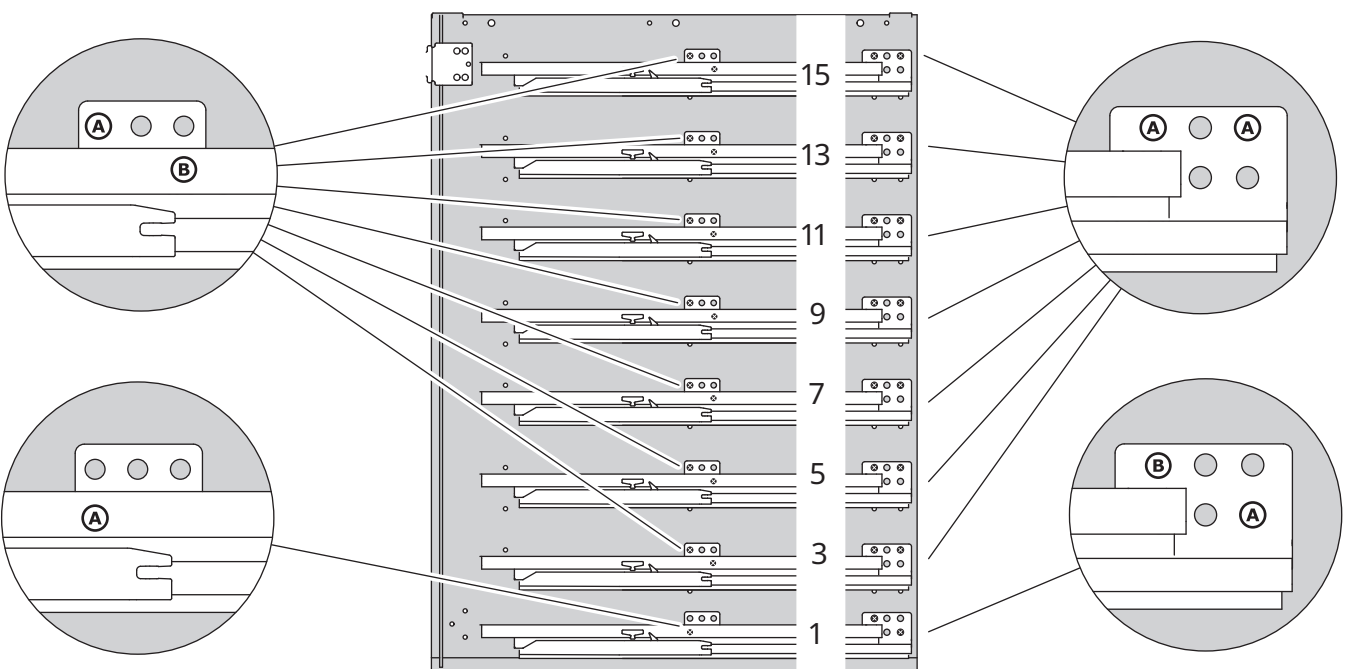
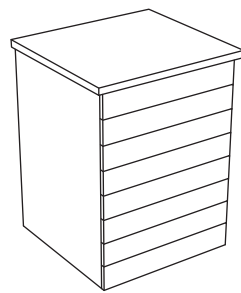
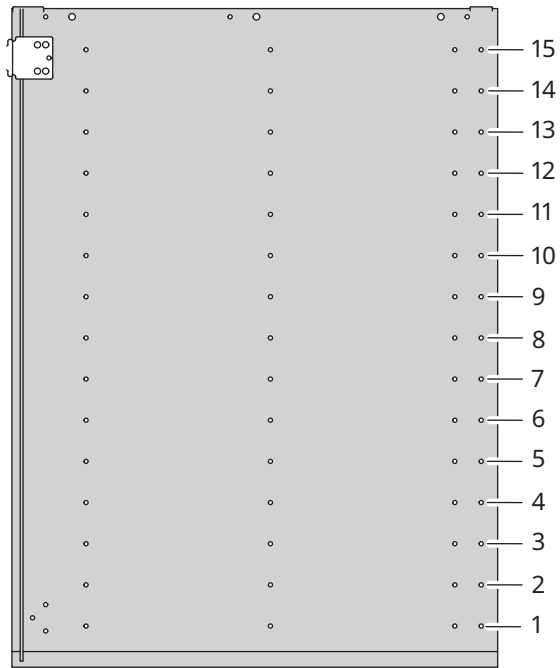
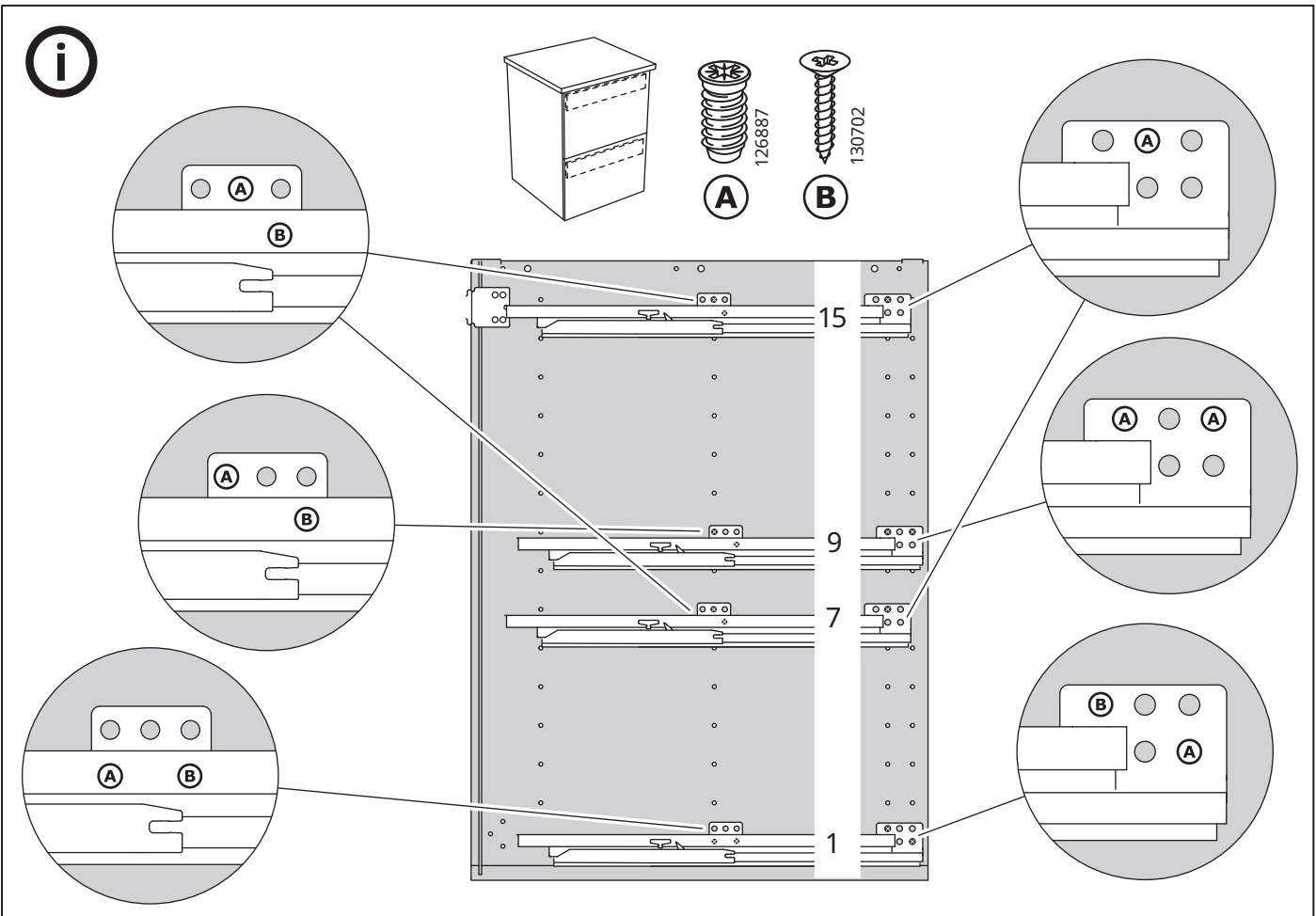
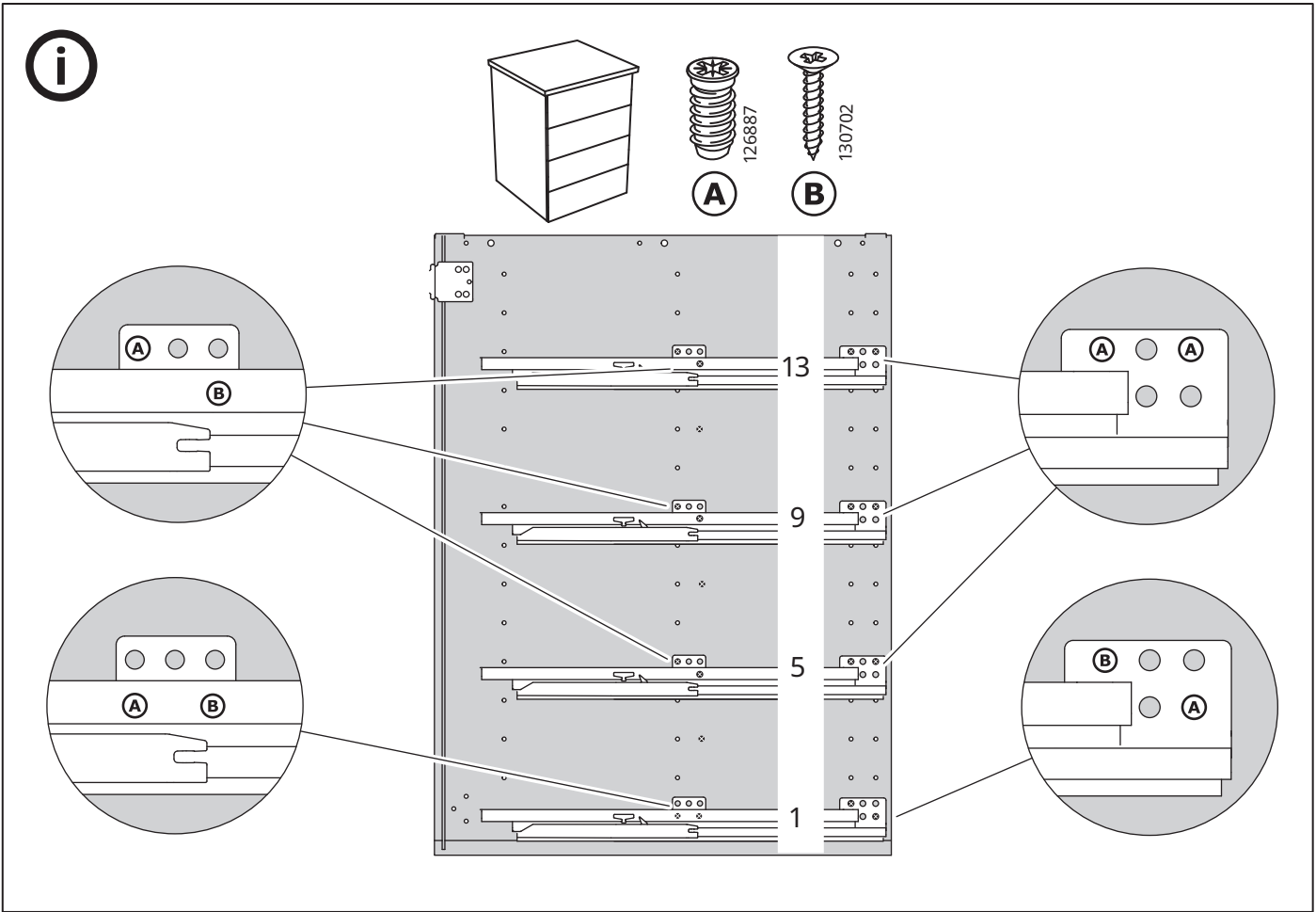


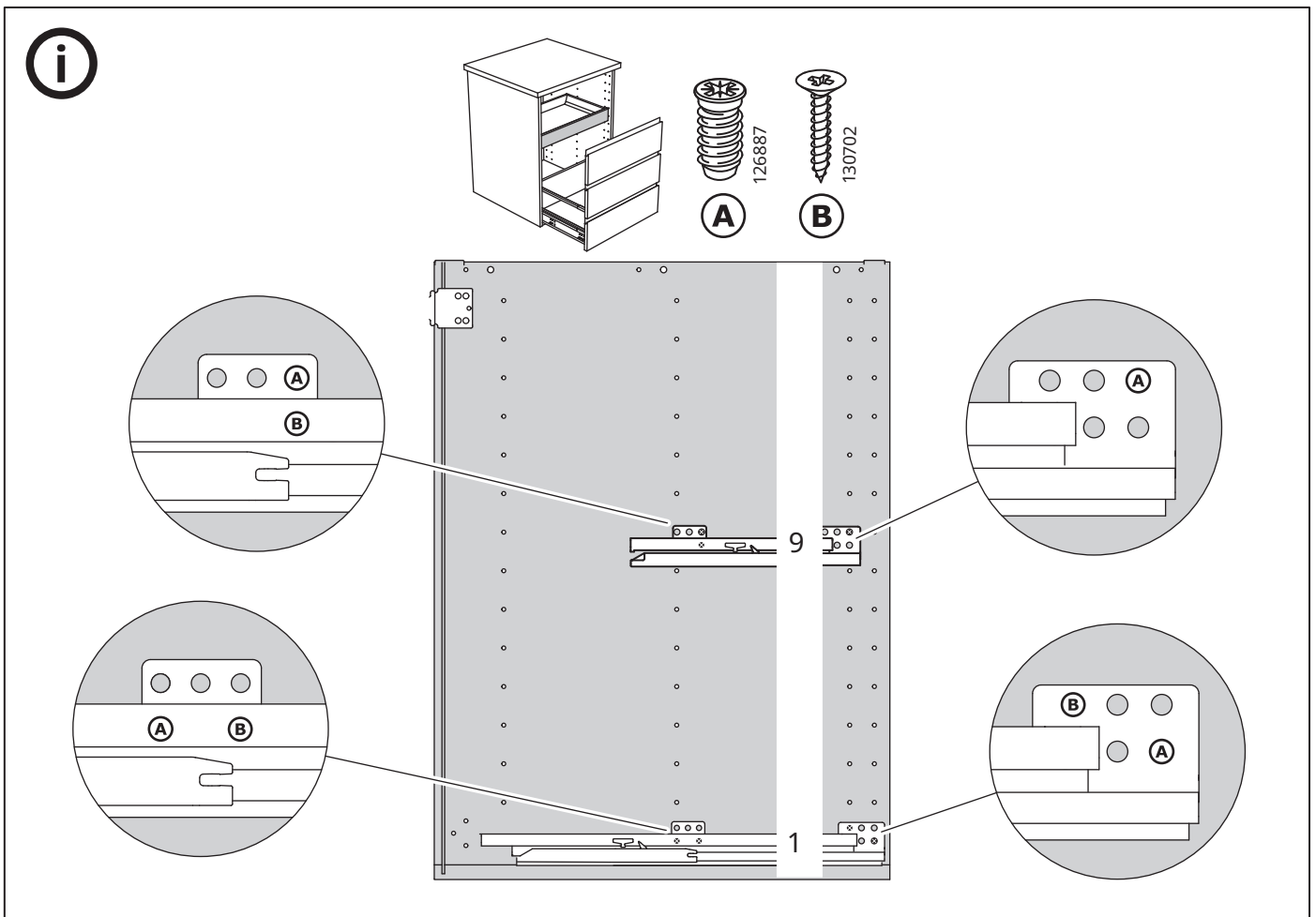
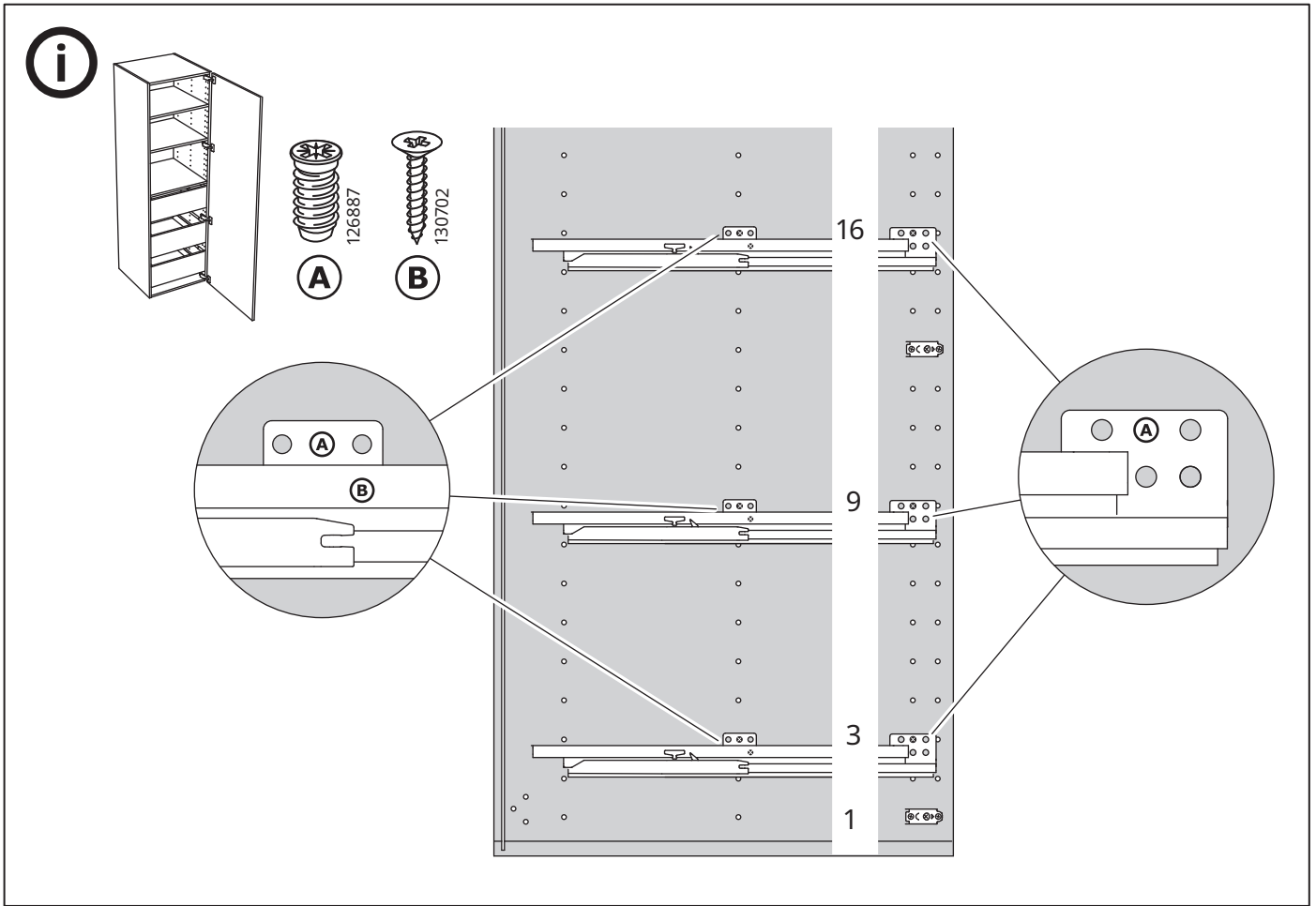
MAXIMERA



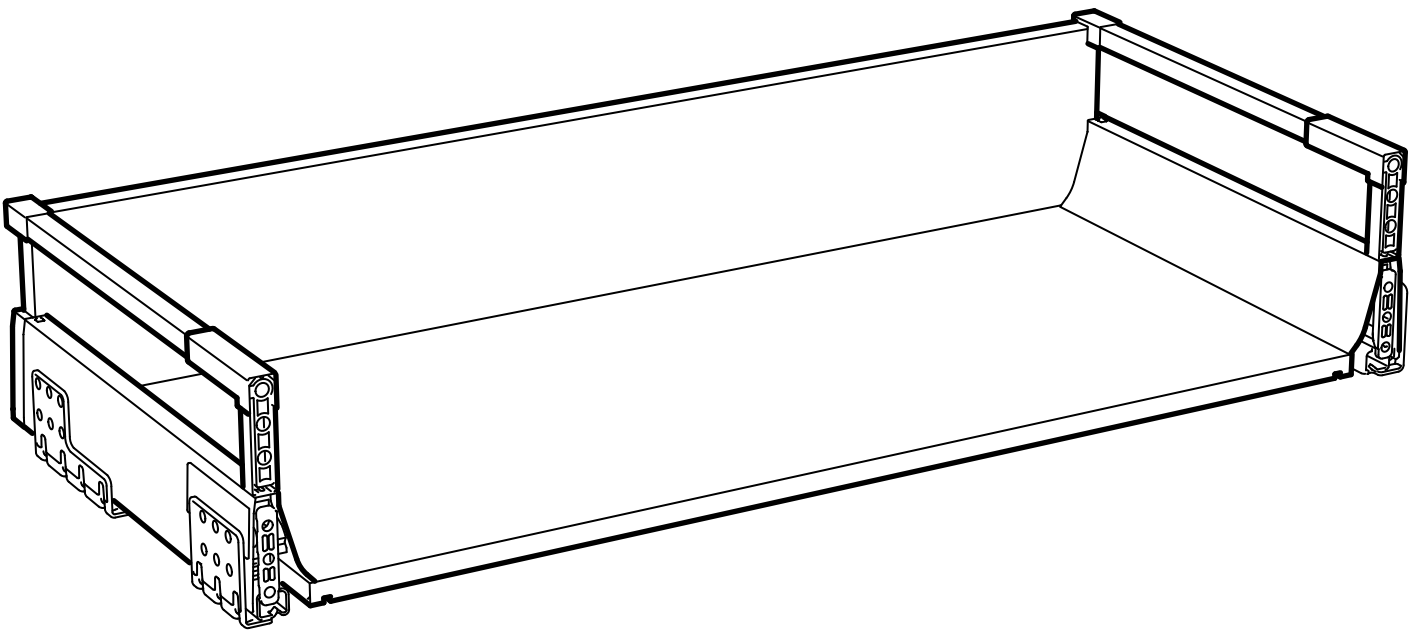
Design and Quality
IKEA of Sweden



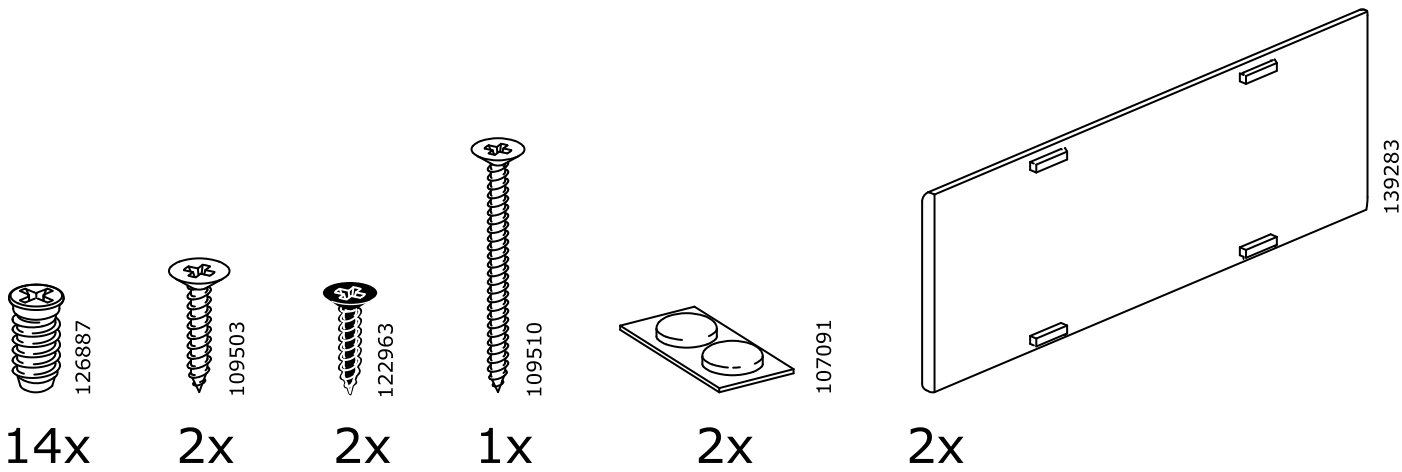
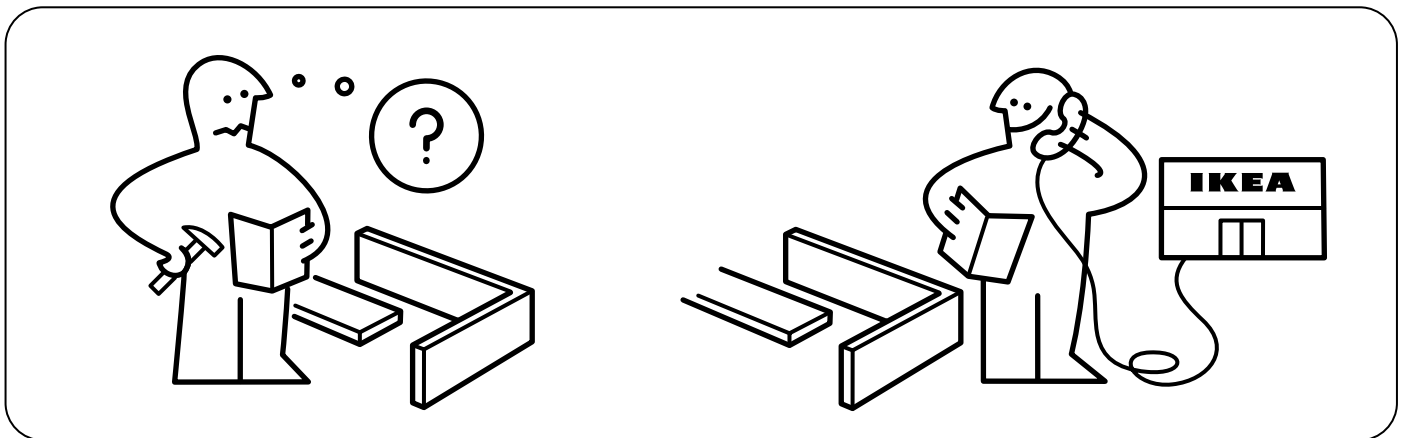
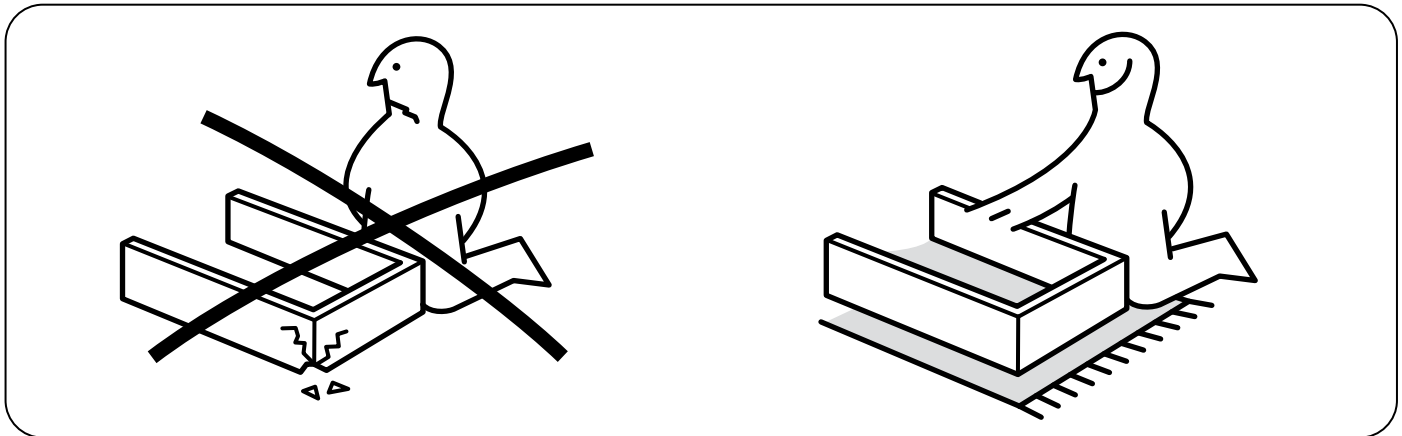
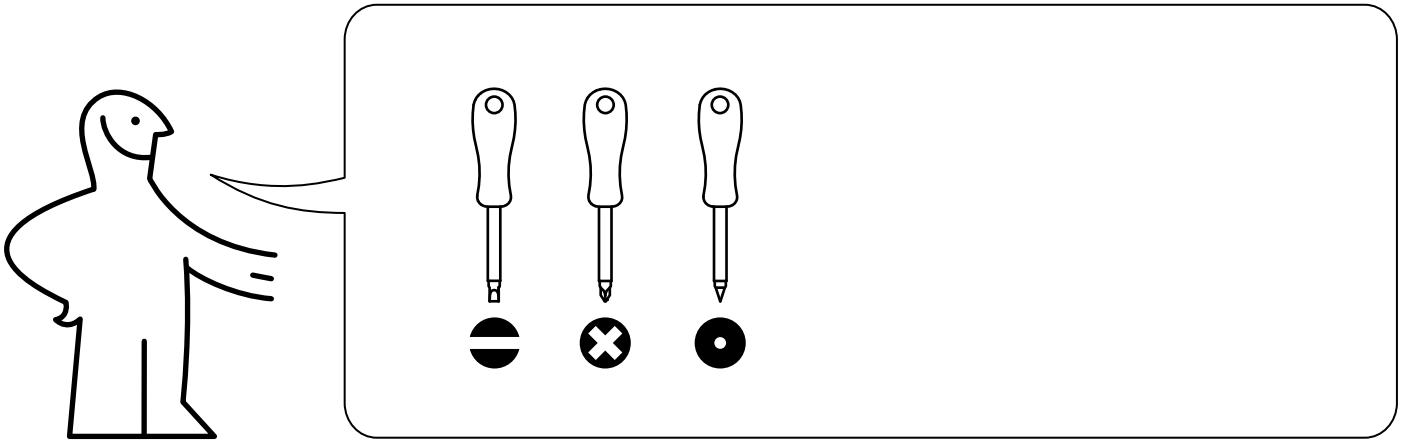


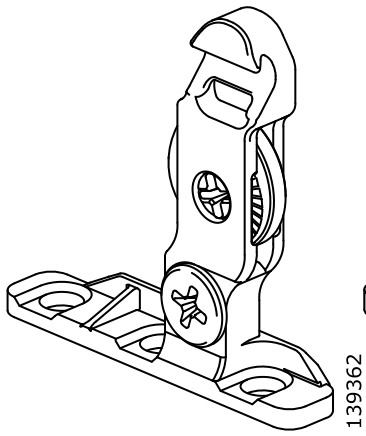


MAXIMERA

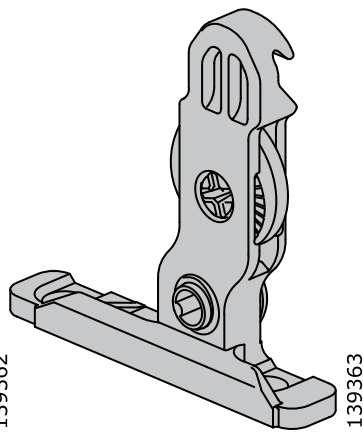


Design and Quality
IKEA of Sweden

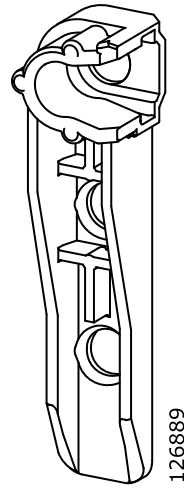




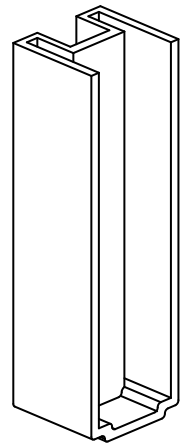
1x



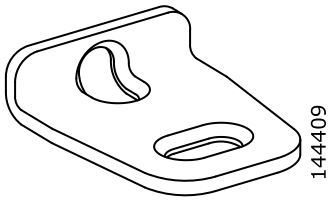
1x



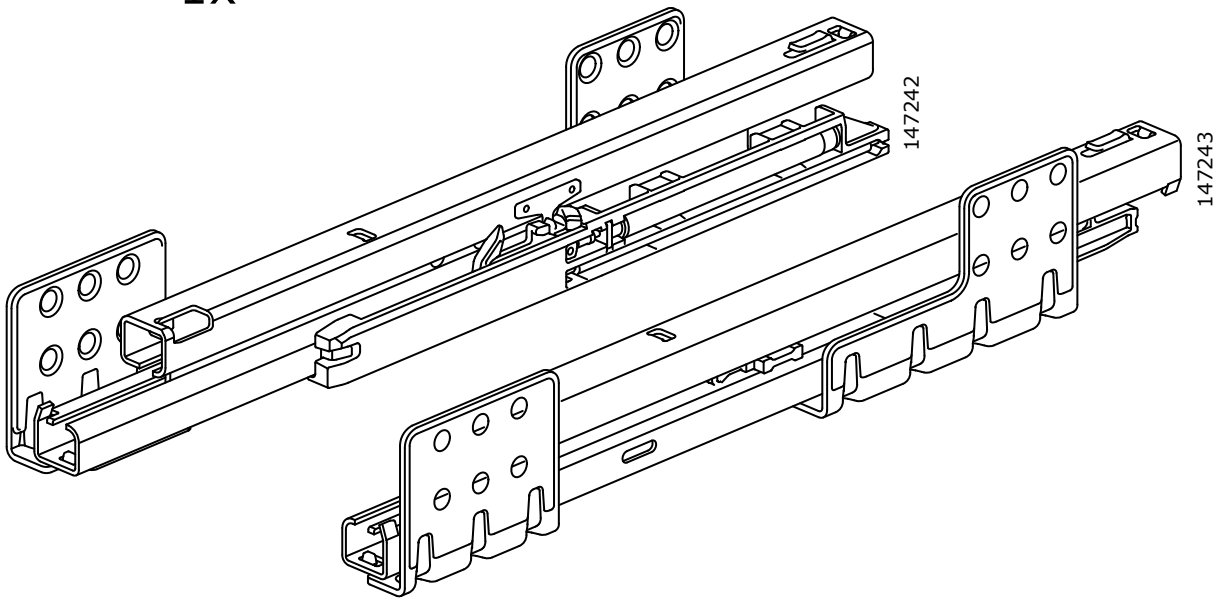
2x



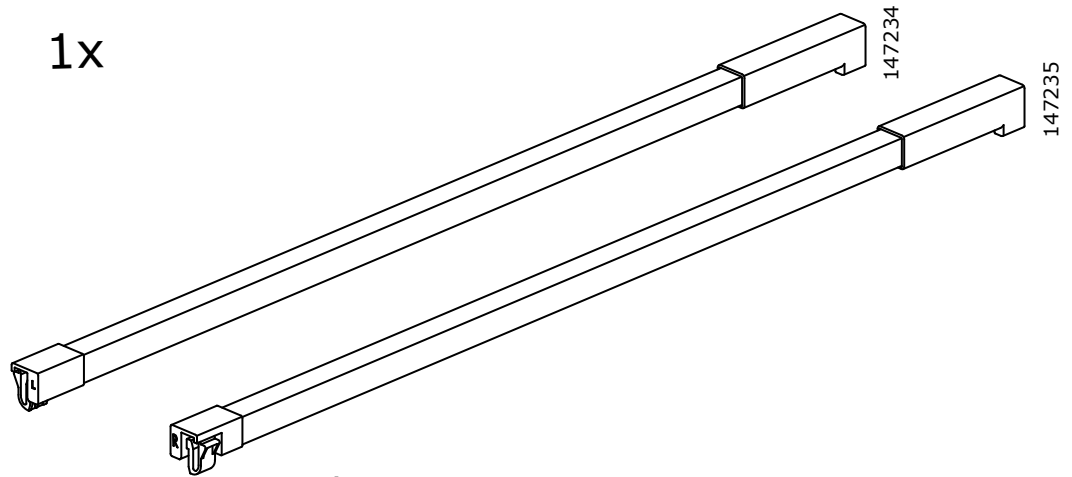
2x



1x

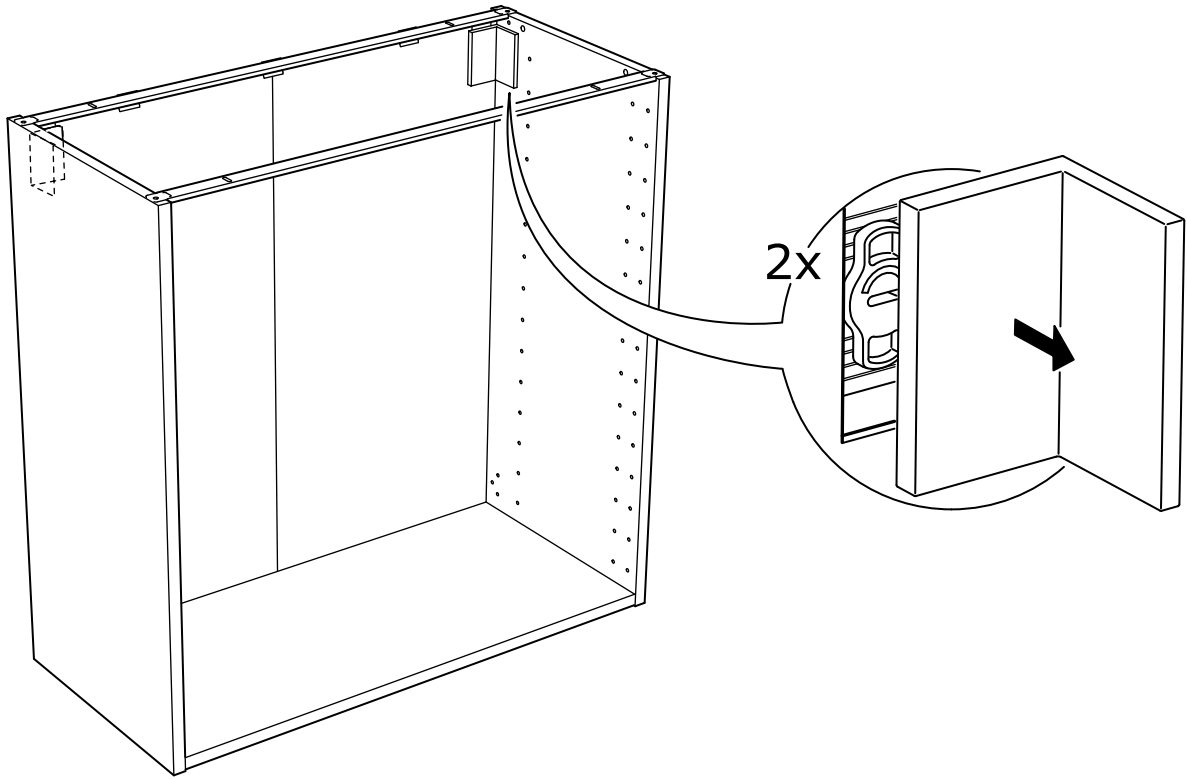


1x

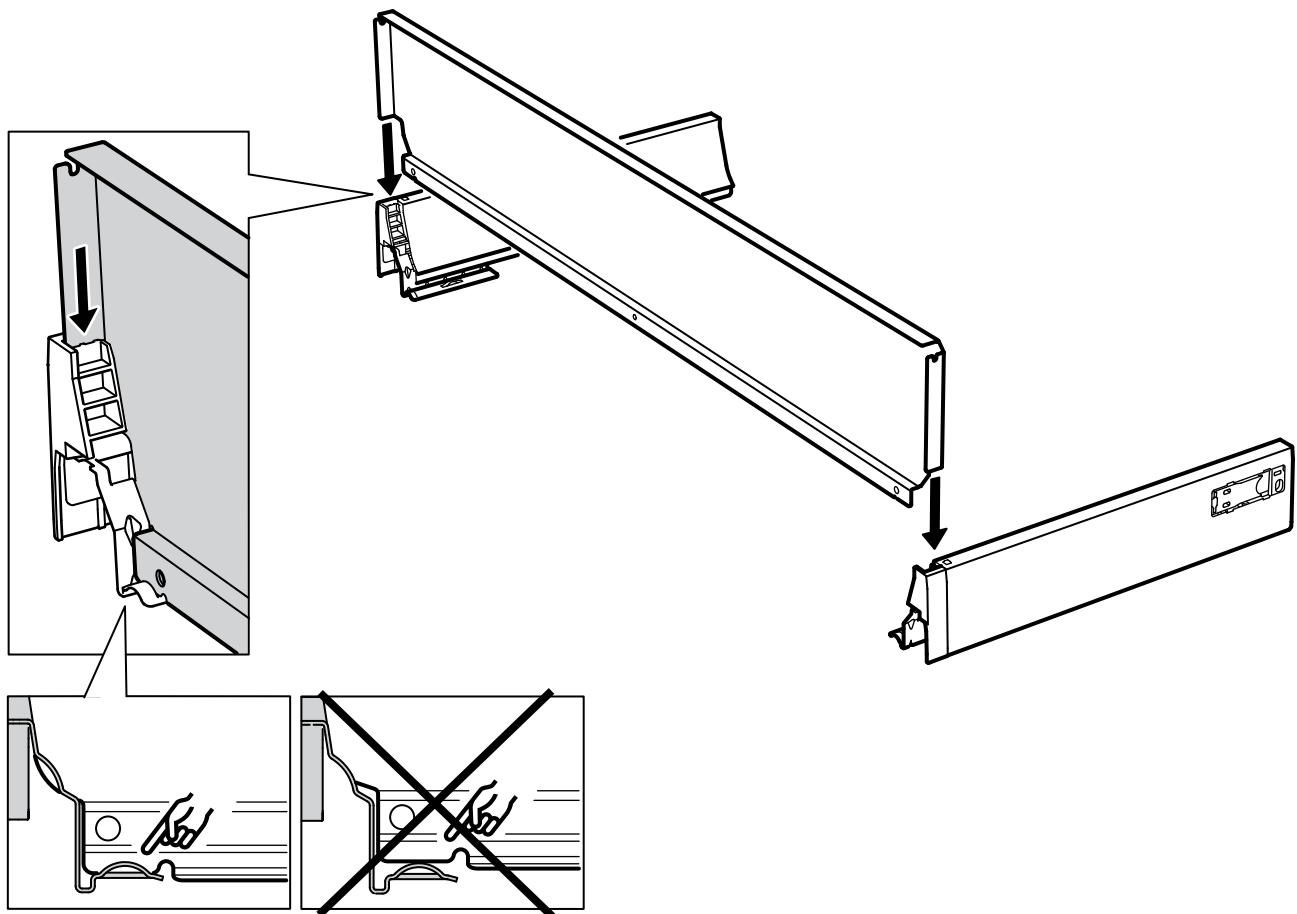


1x

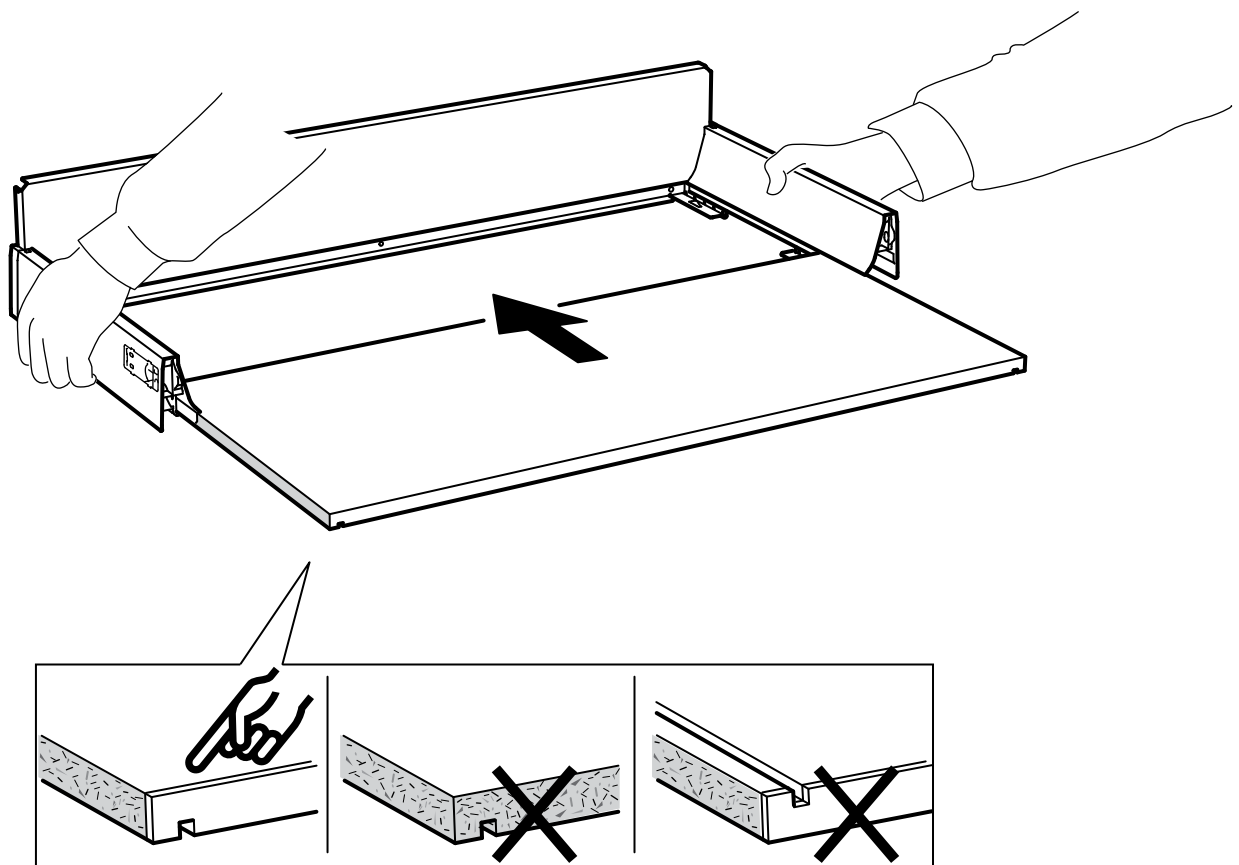
1

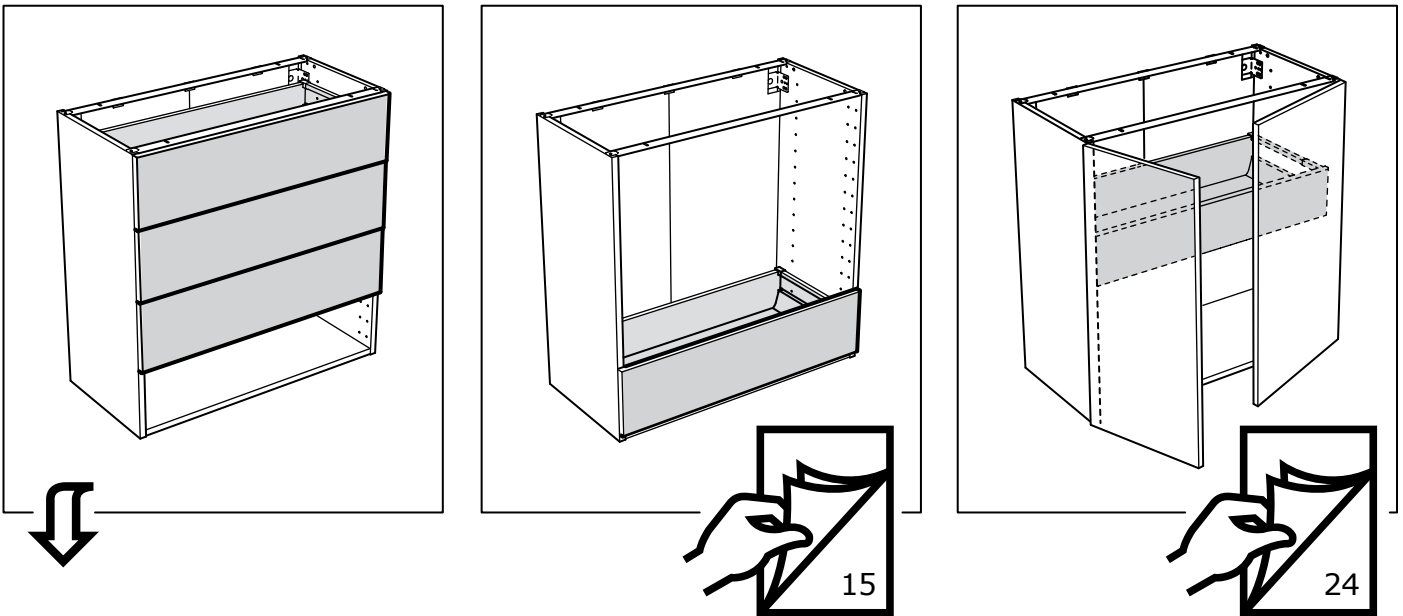


2

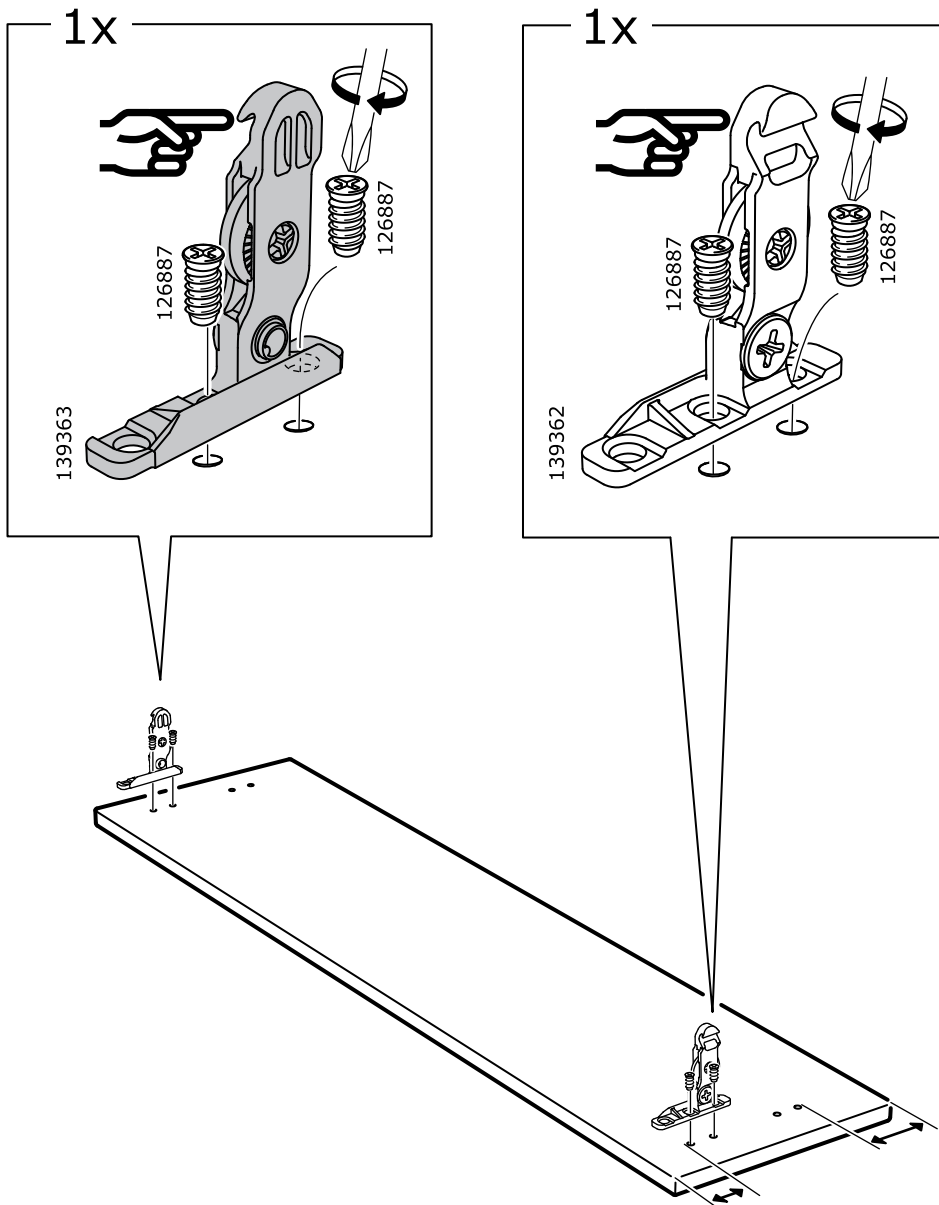


3

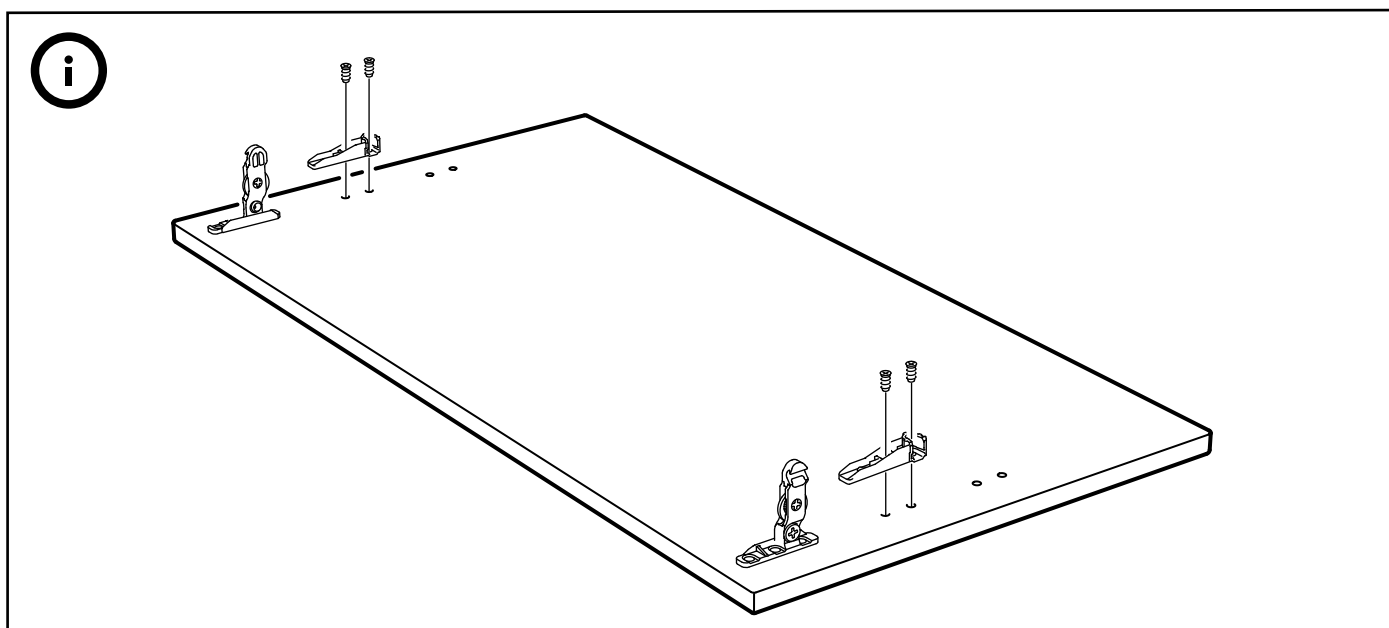
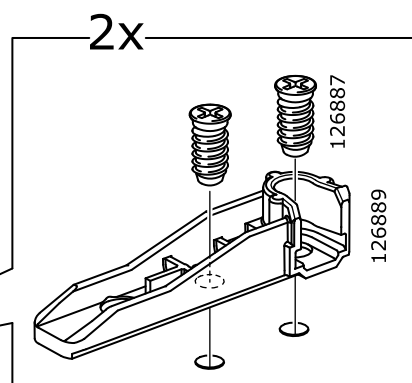
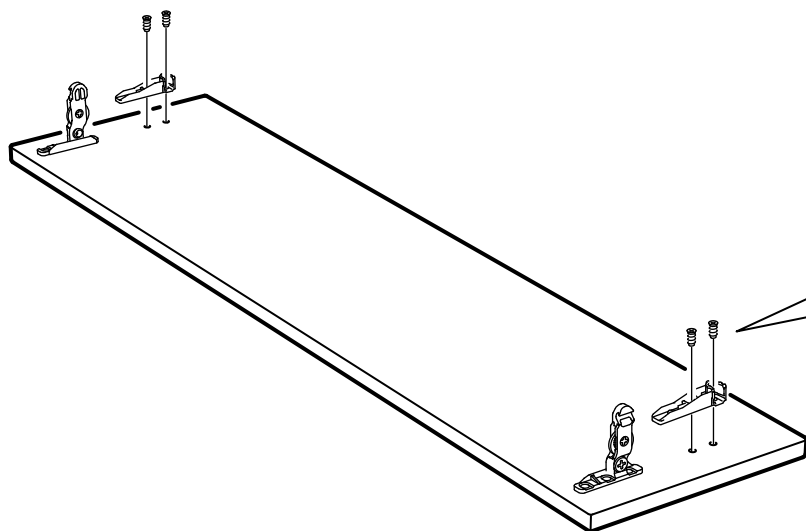




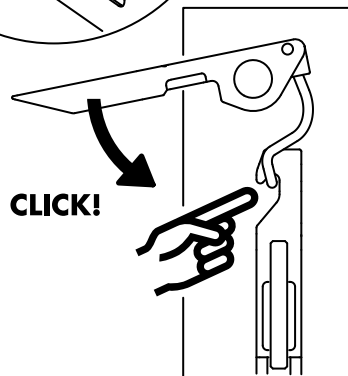
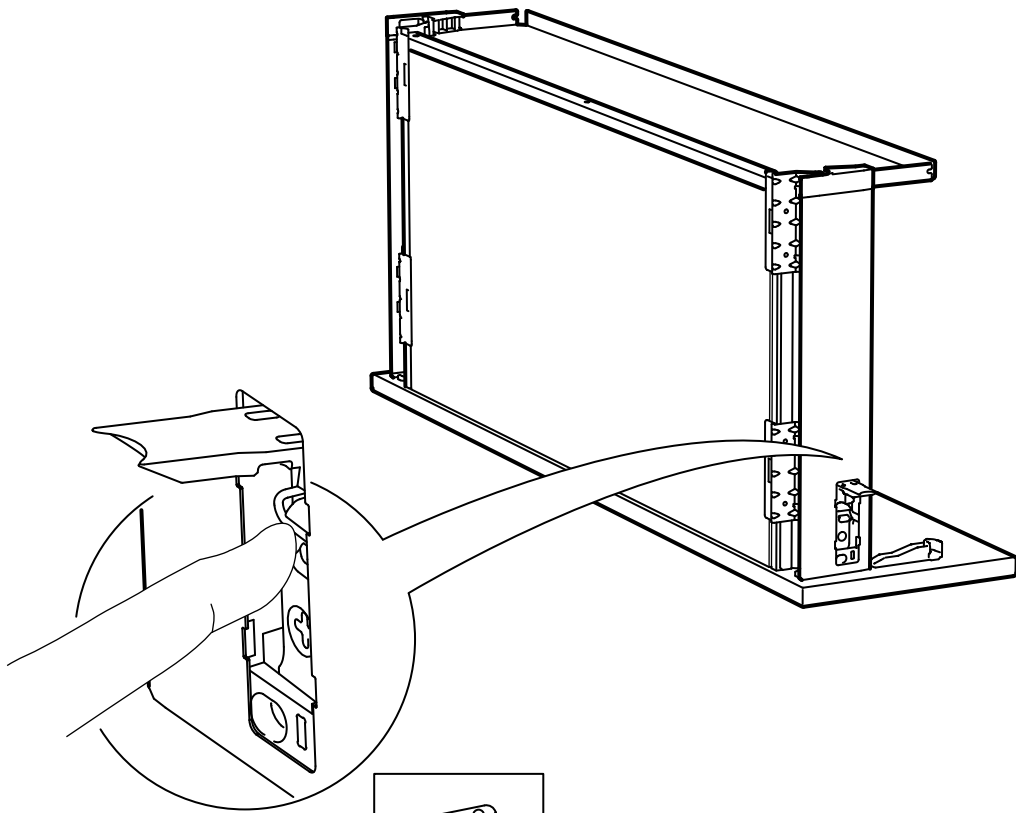
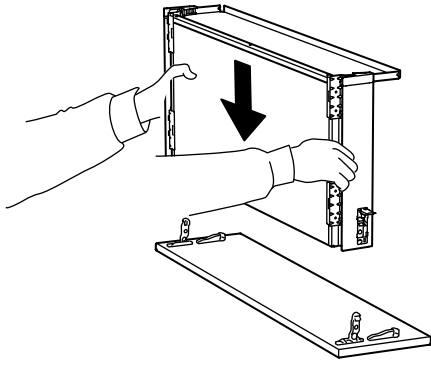
4



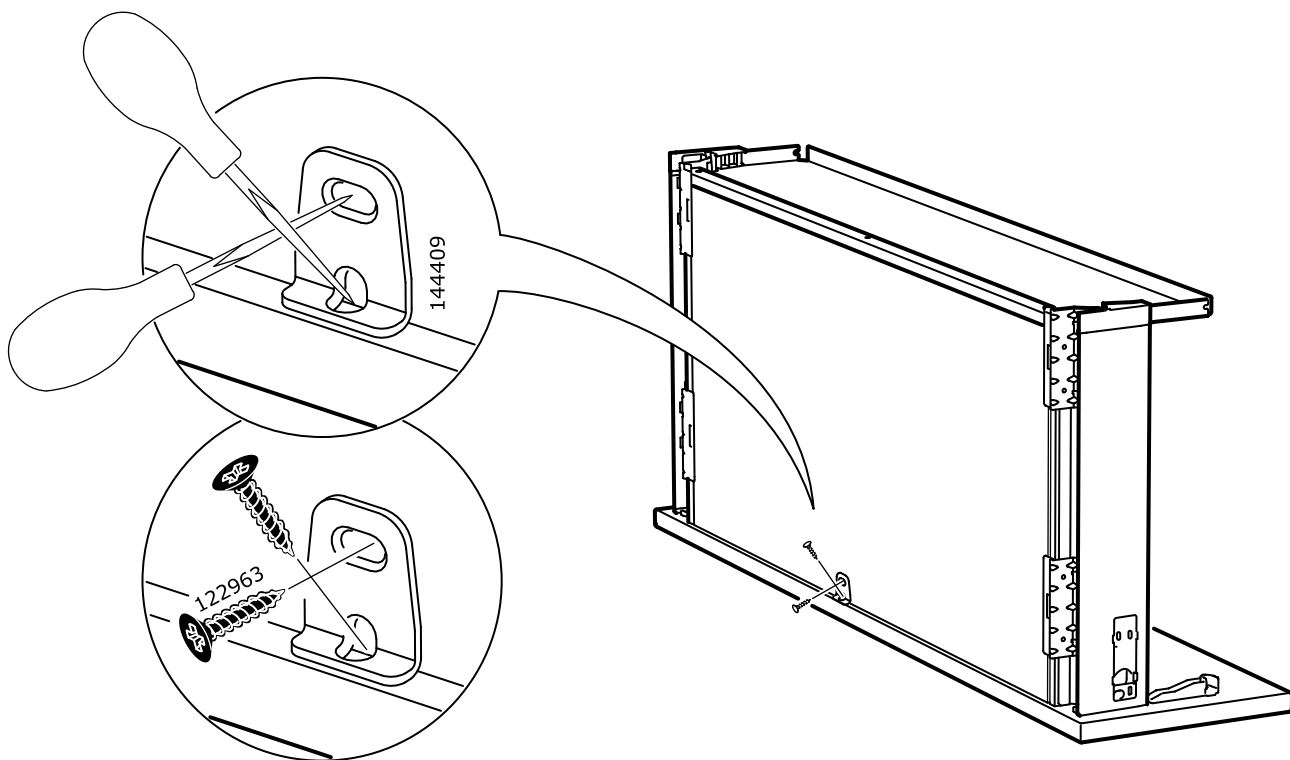
5



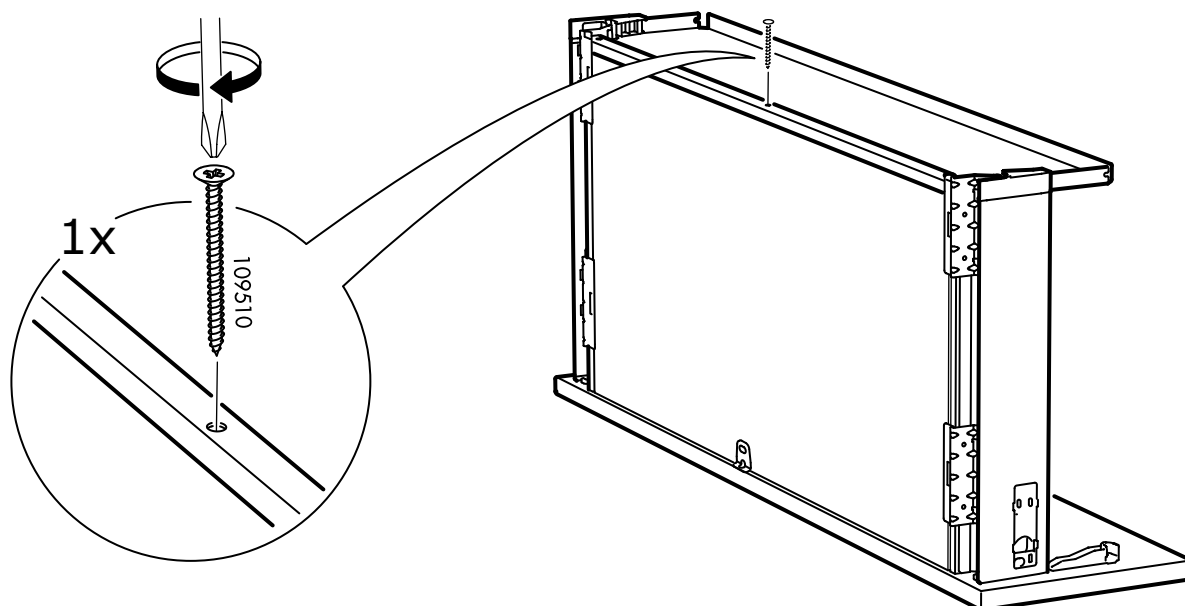
6



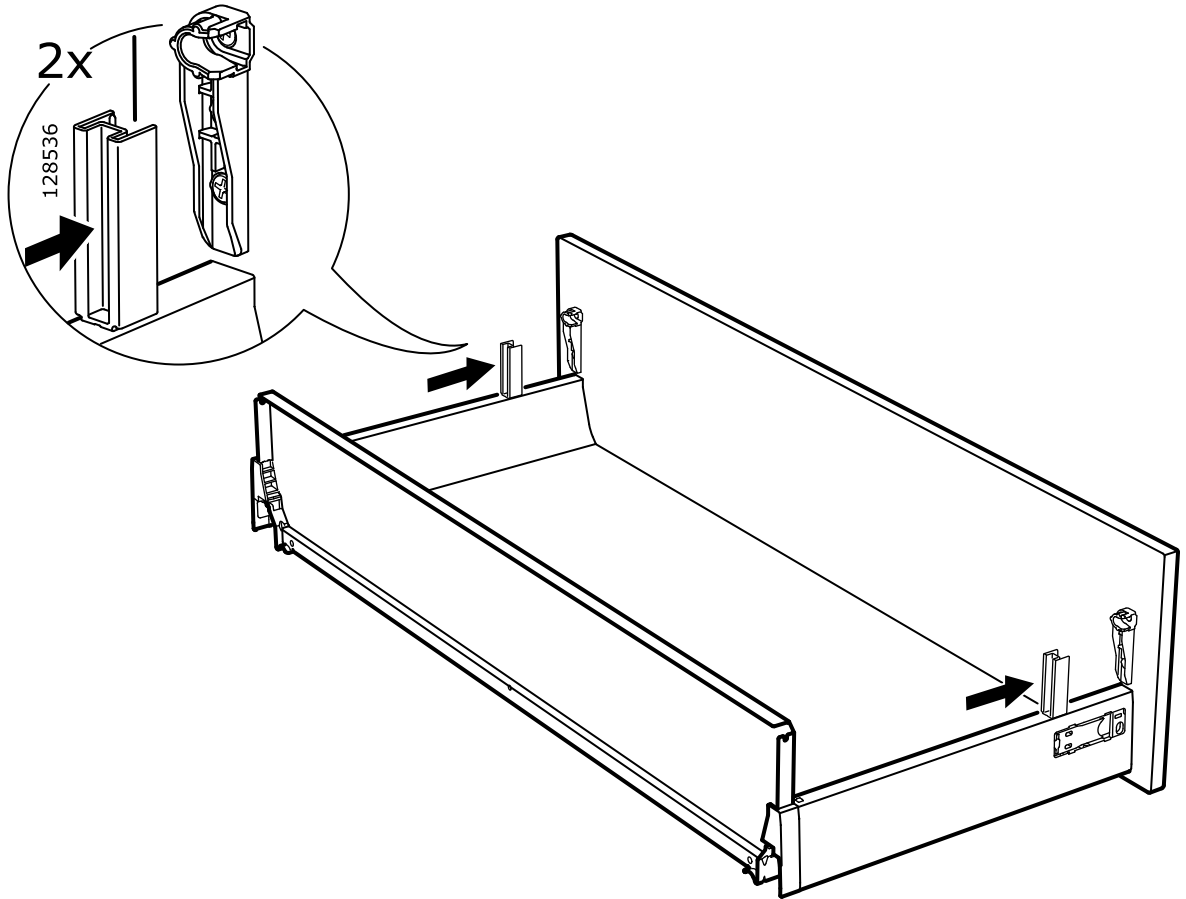
7



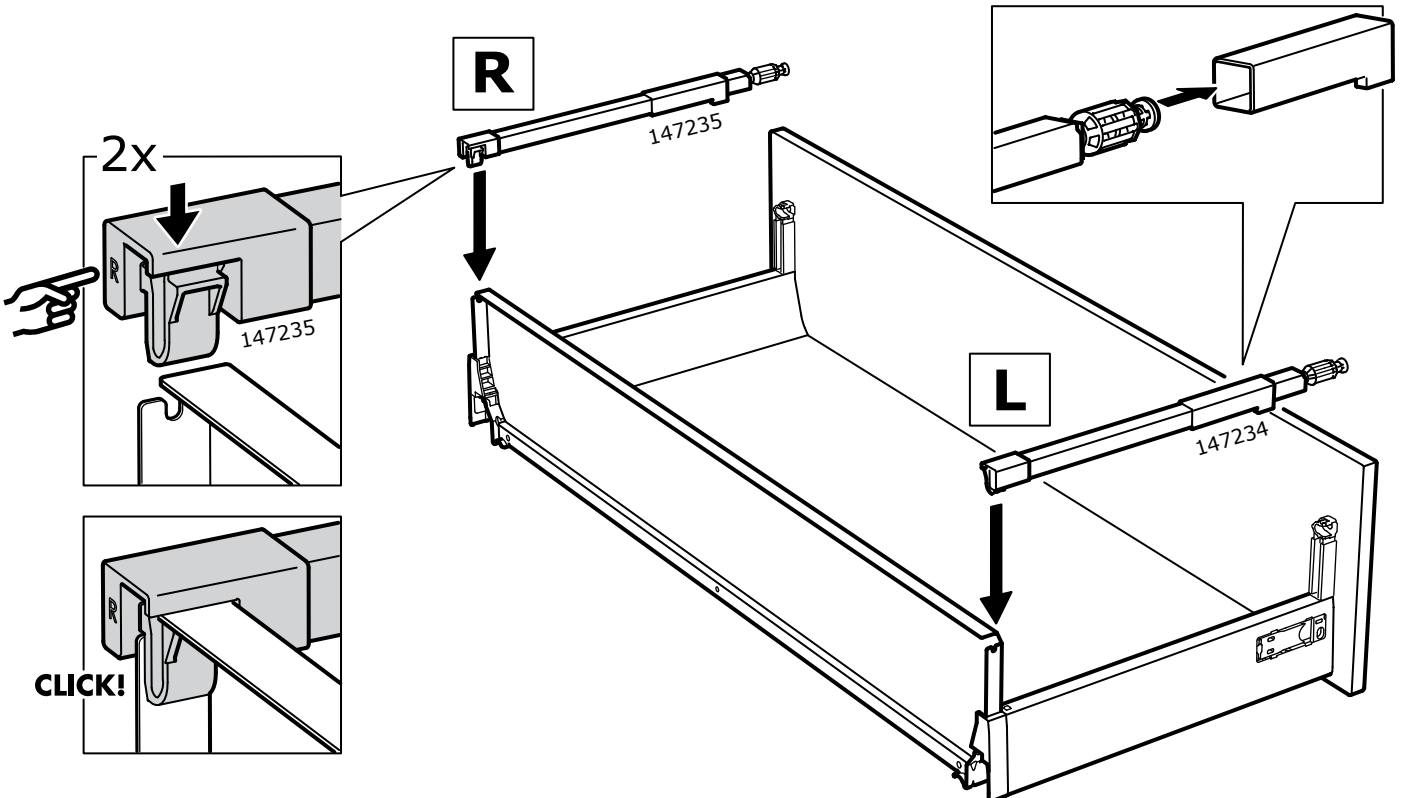
8



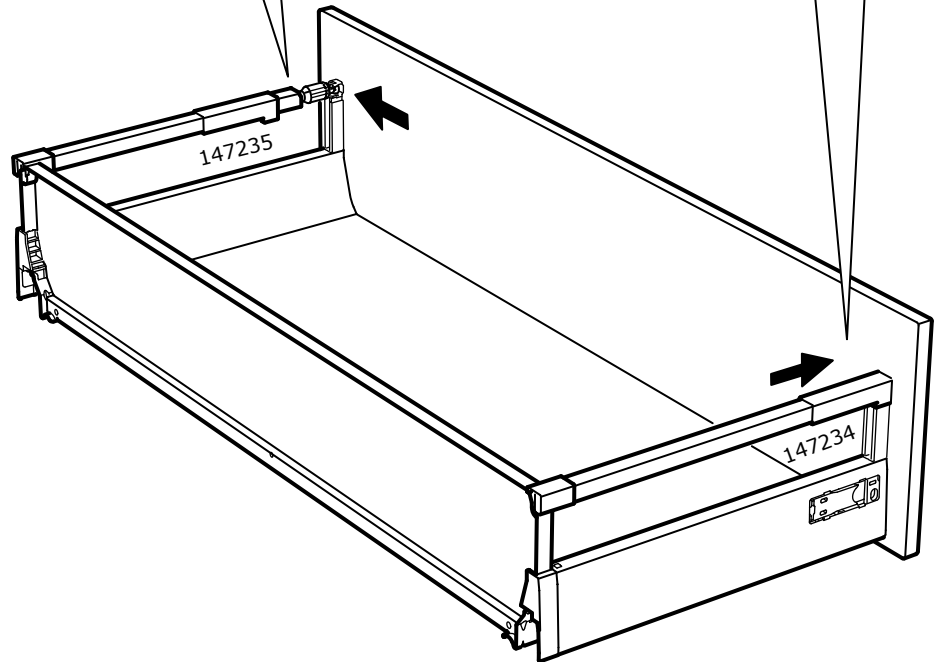
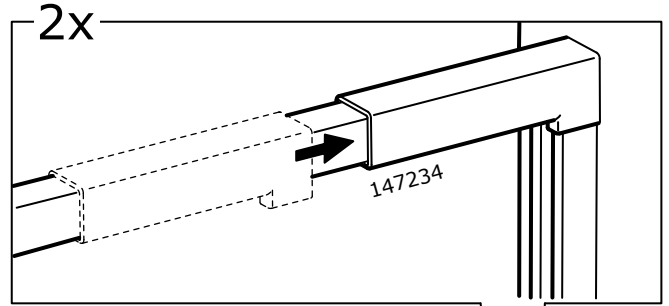
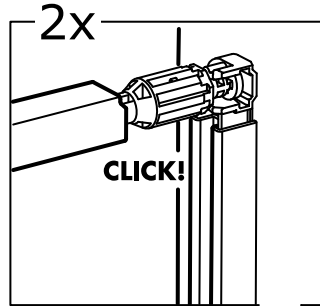
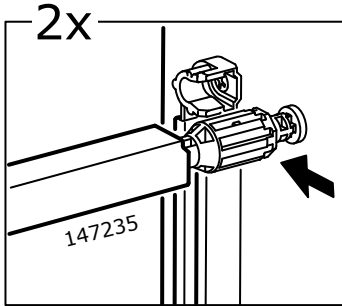
9



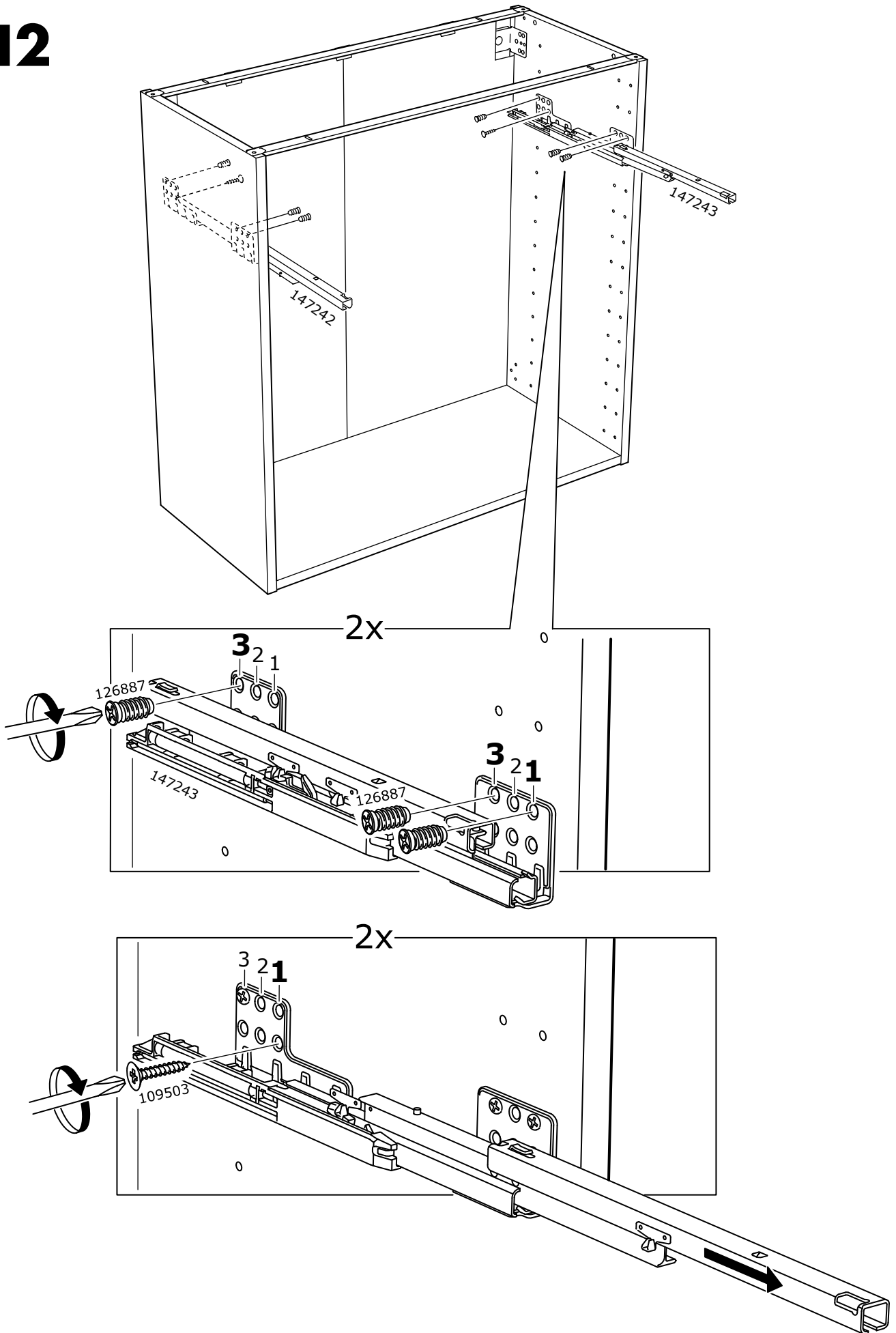
10



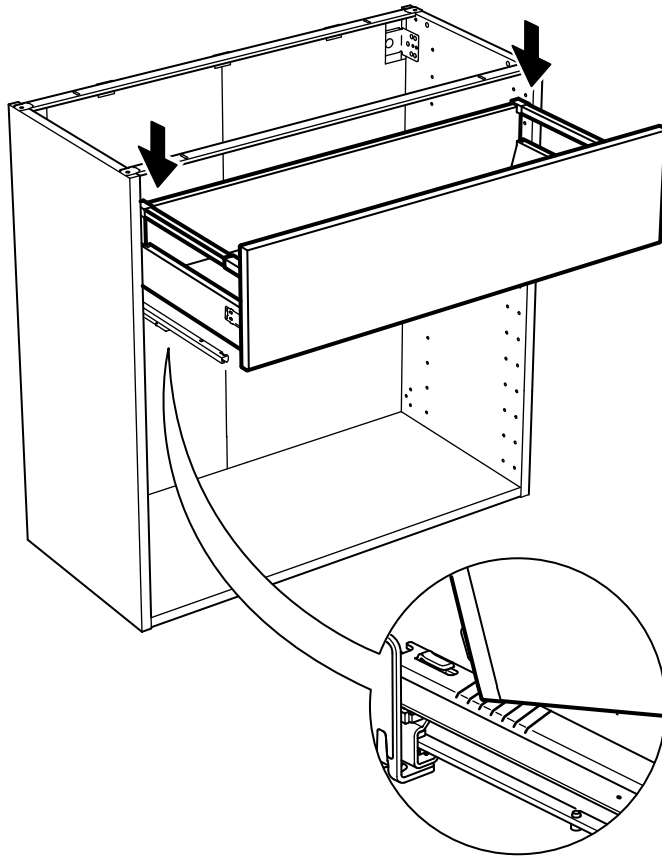
11



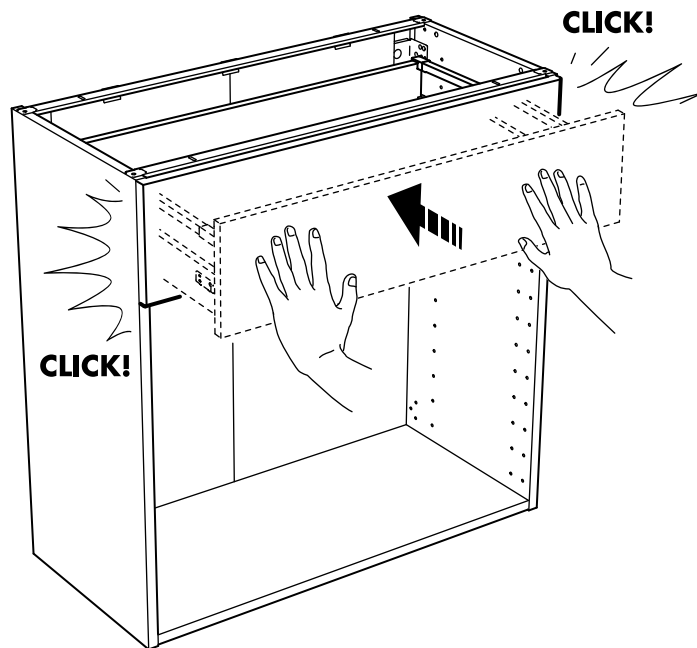
12



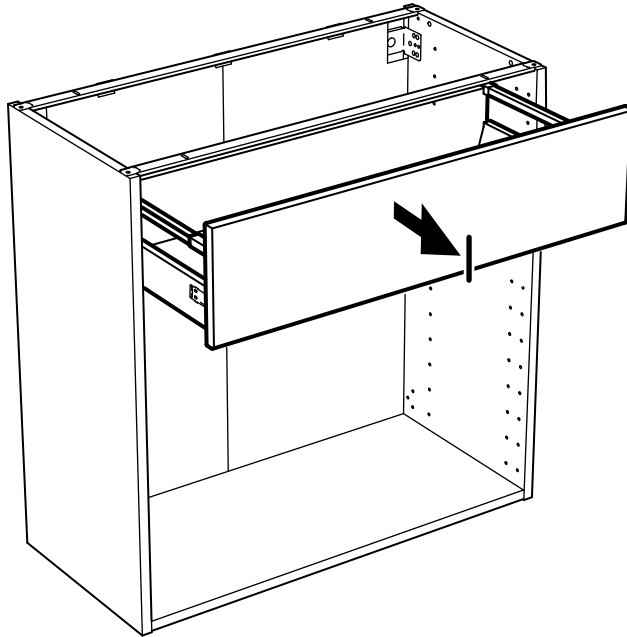
13



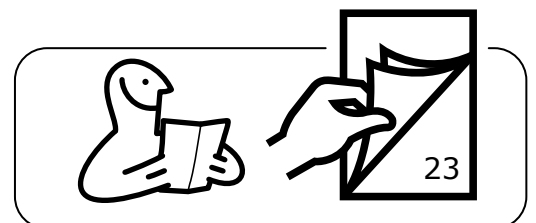
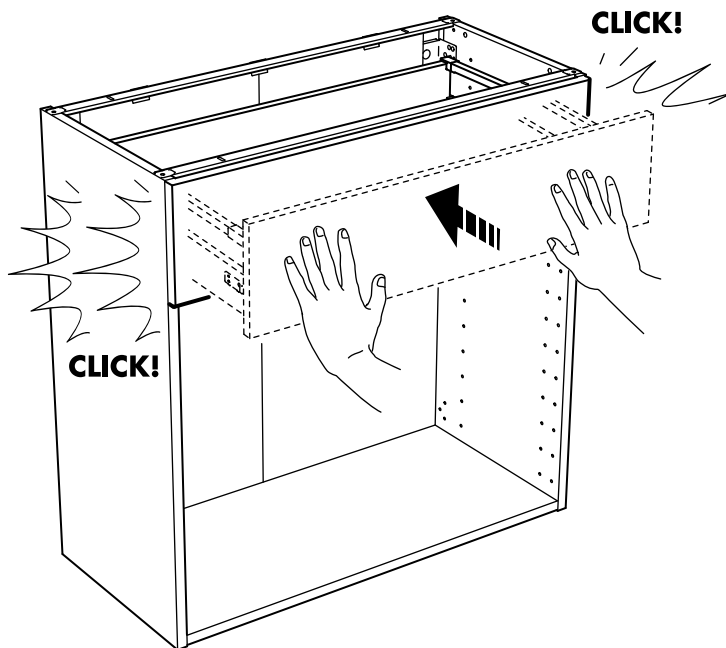
14

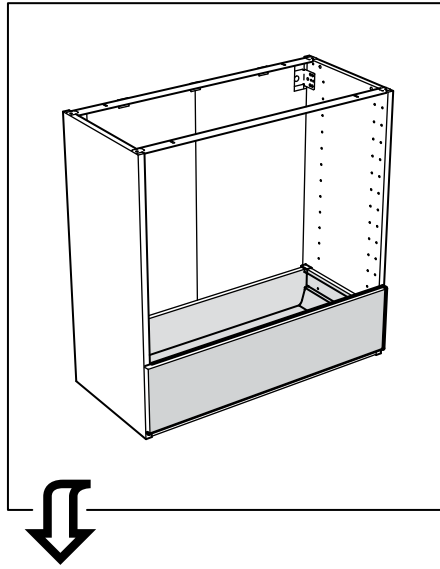


15

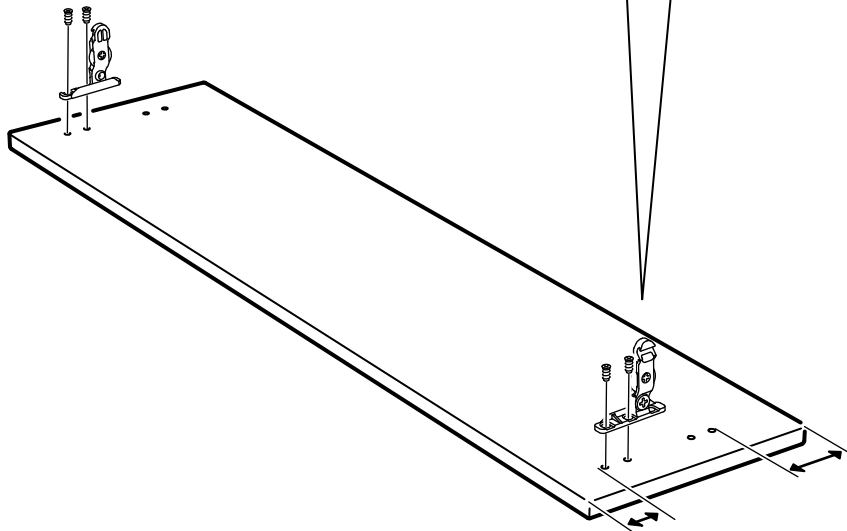
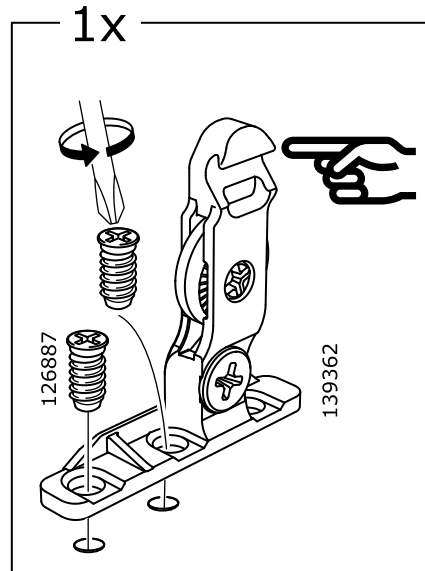
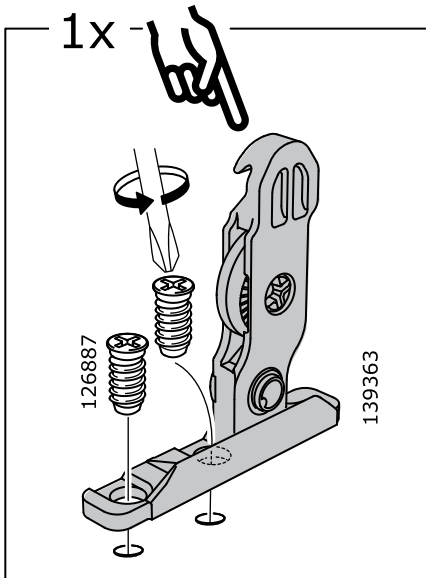


16

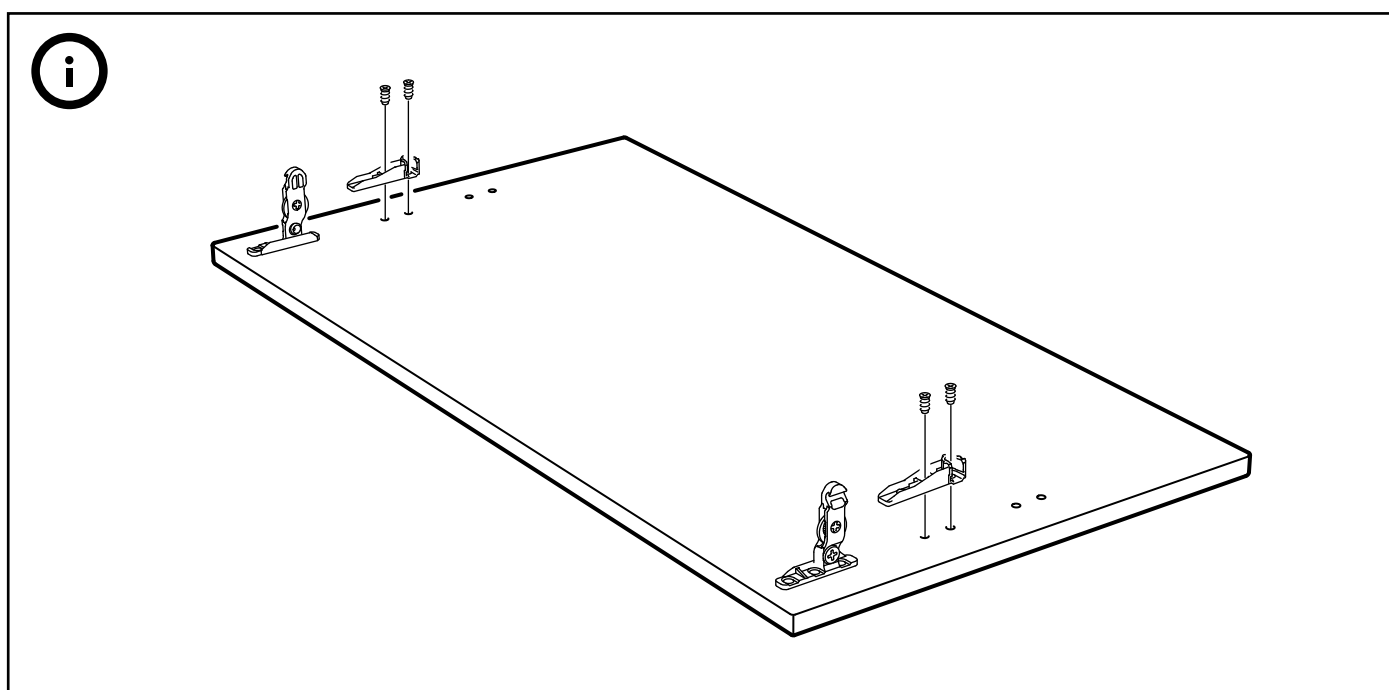
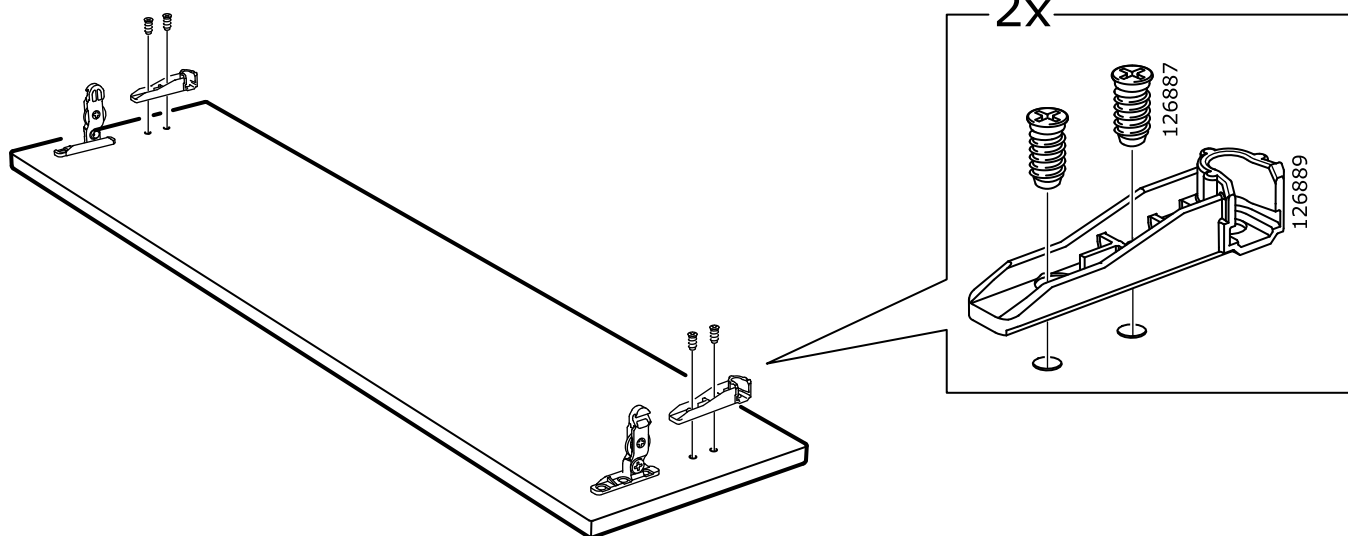




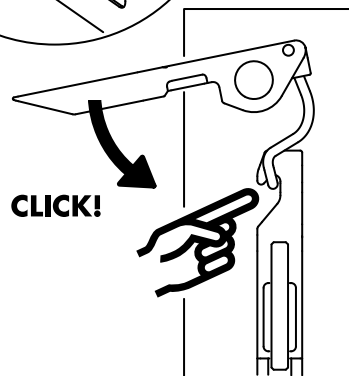
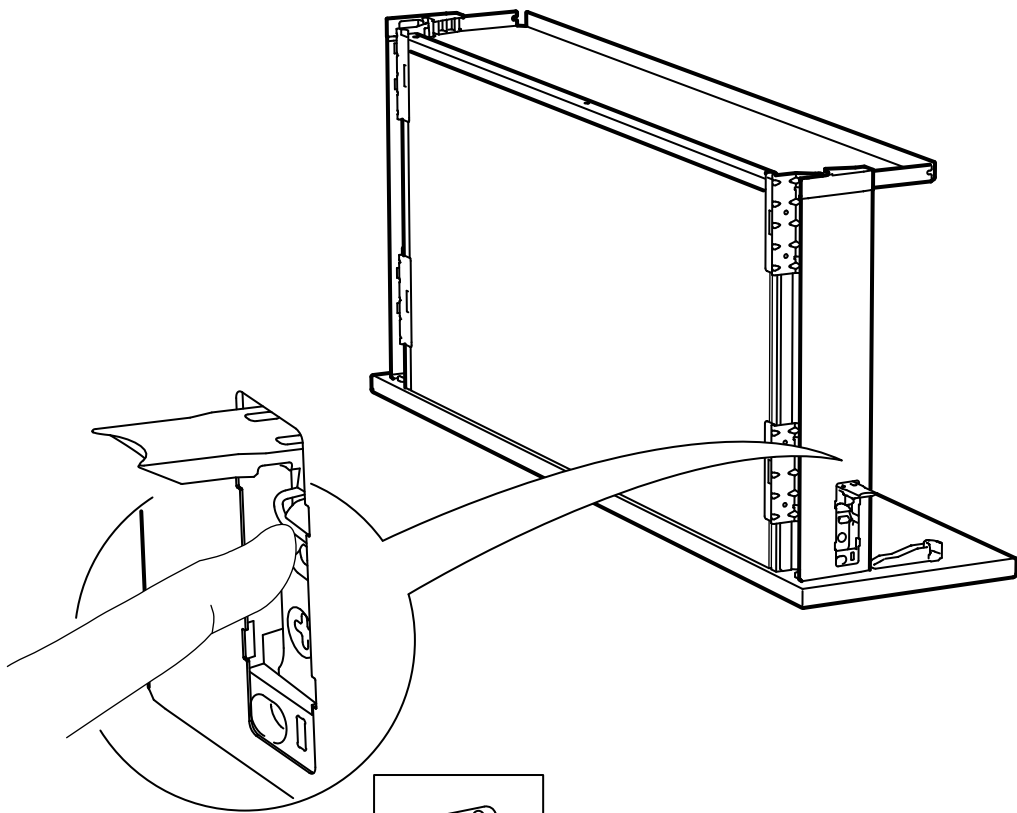
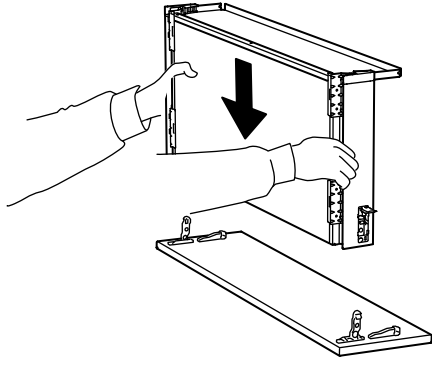
4



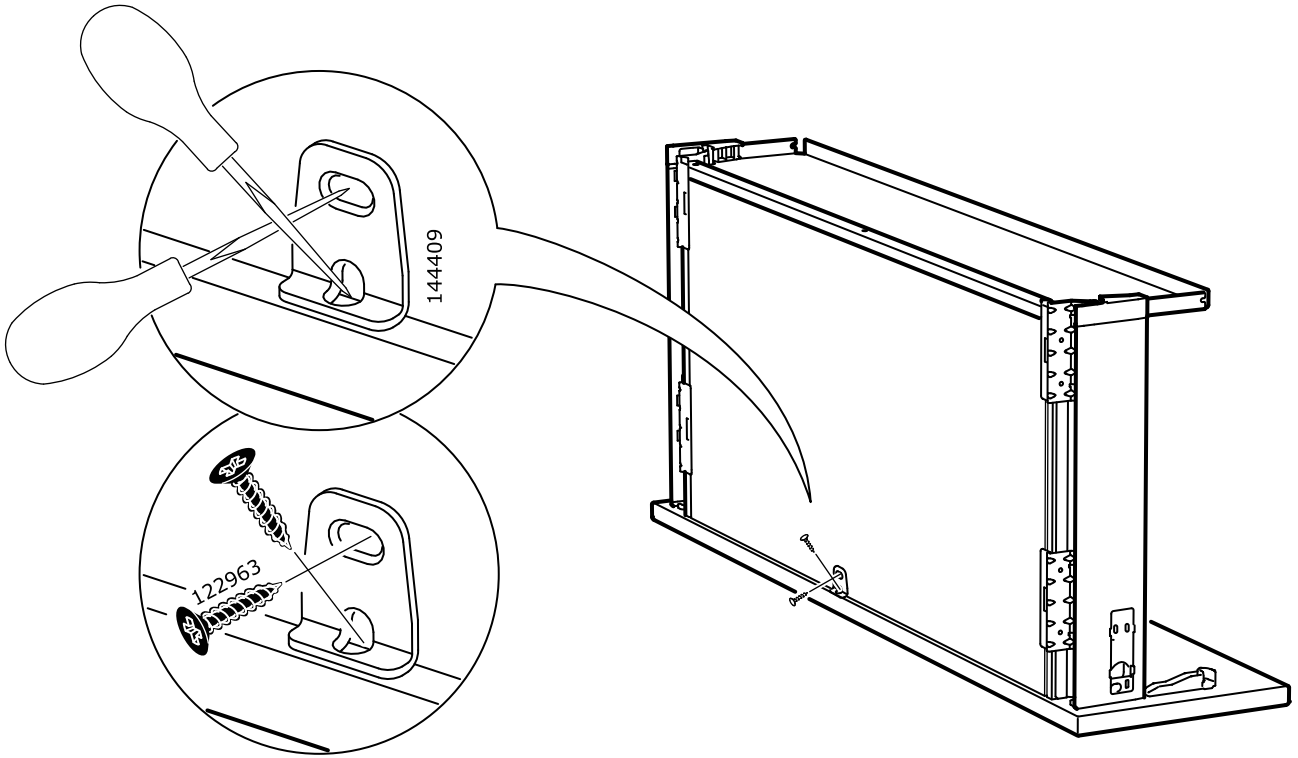
5



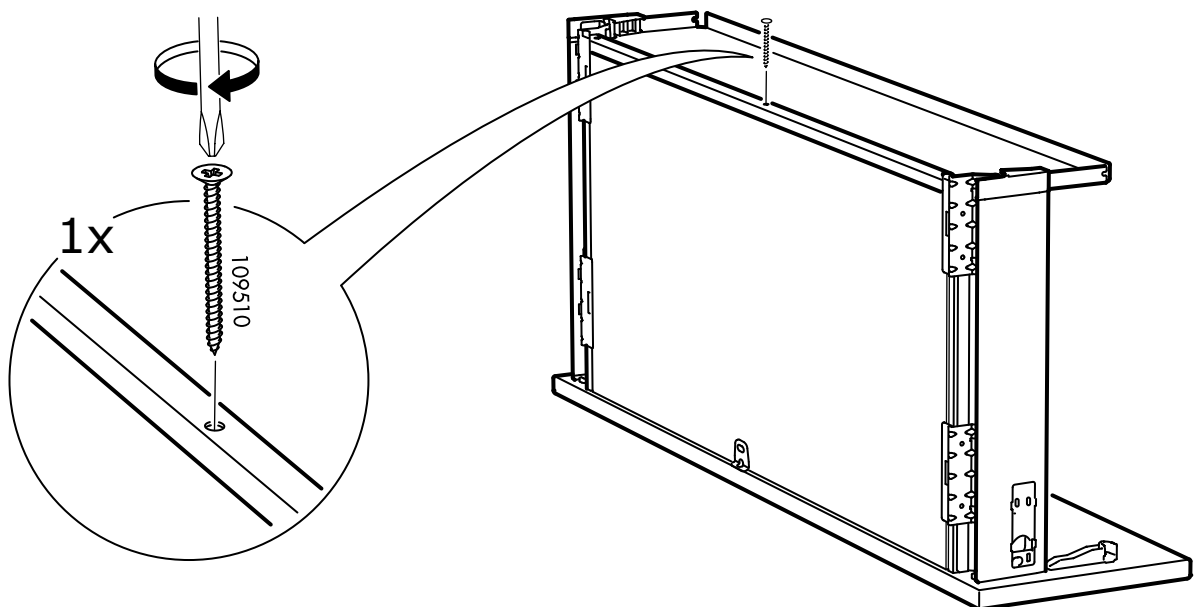
6



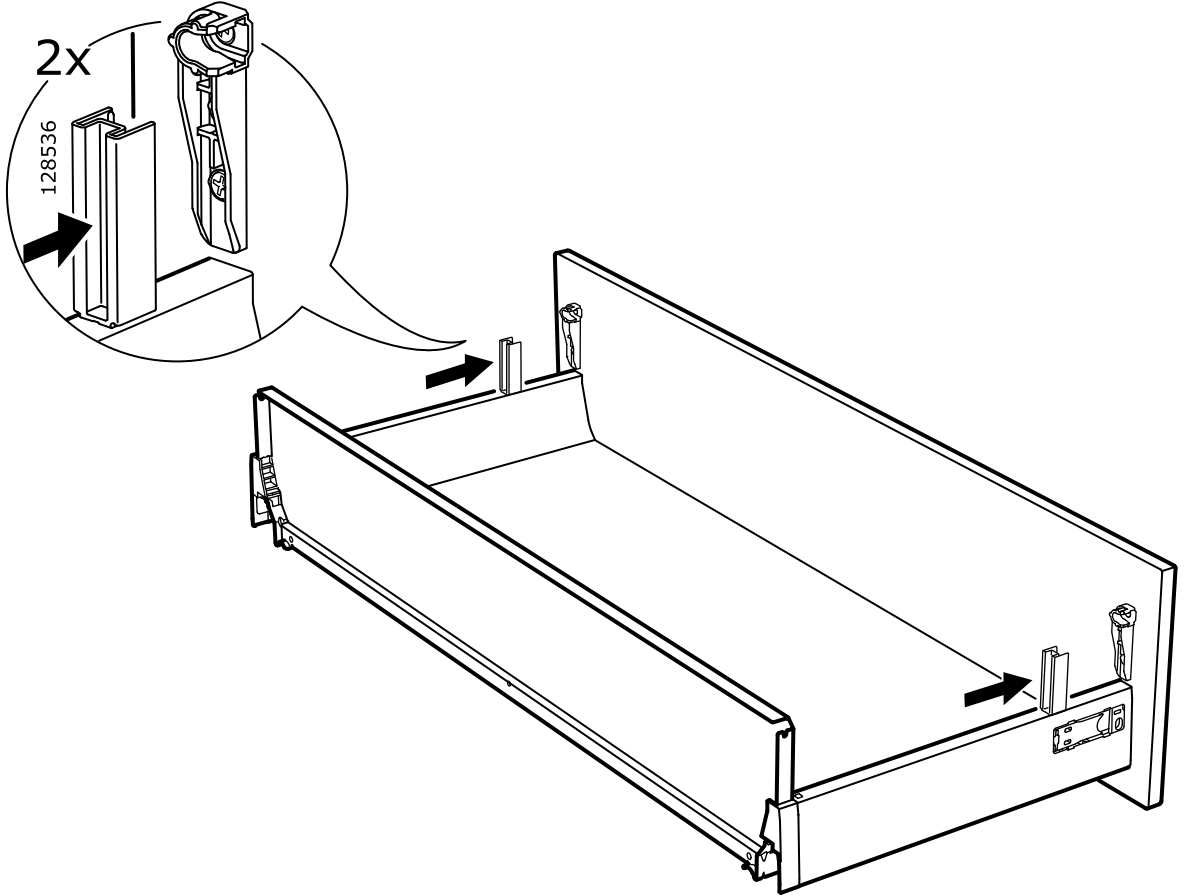
7



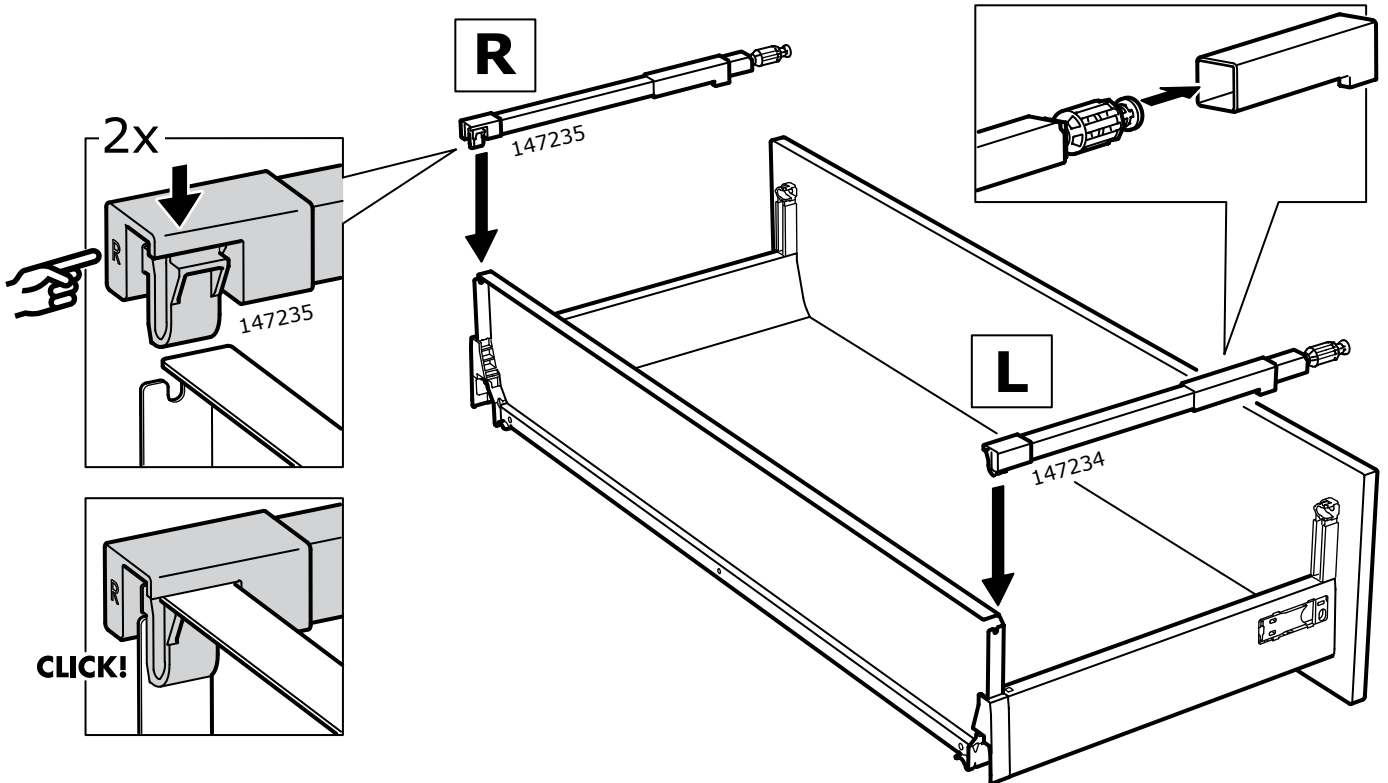
8



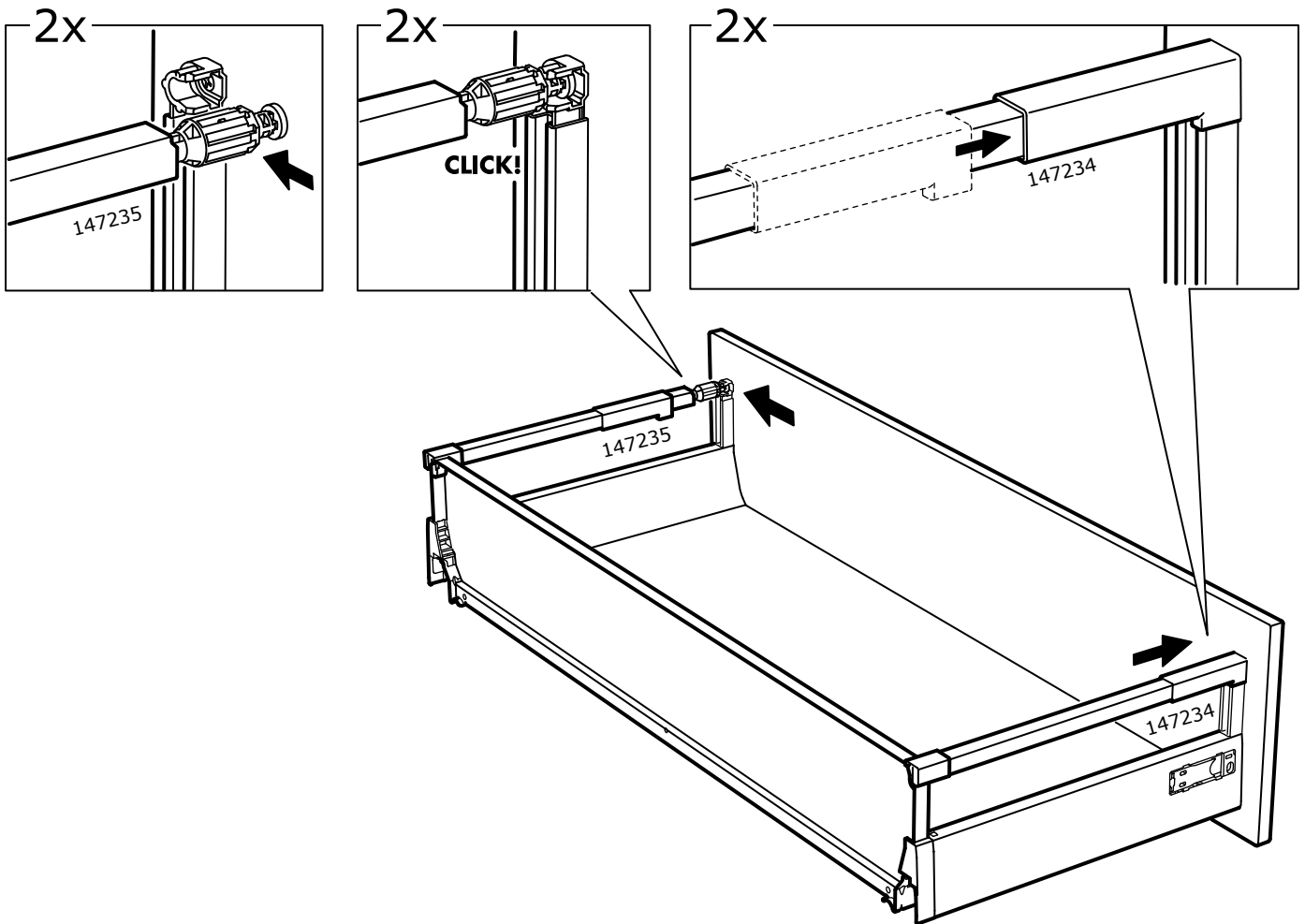
9



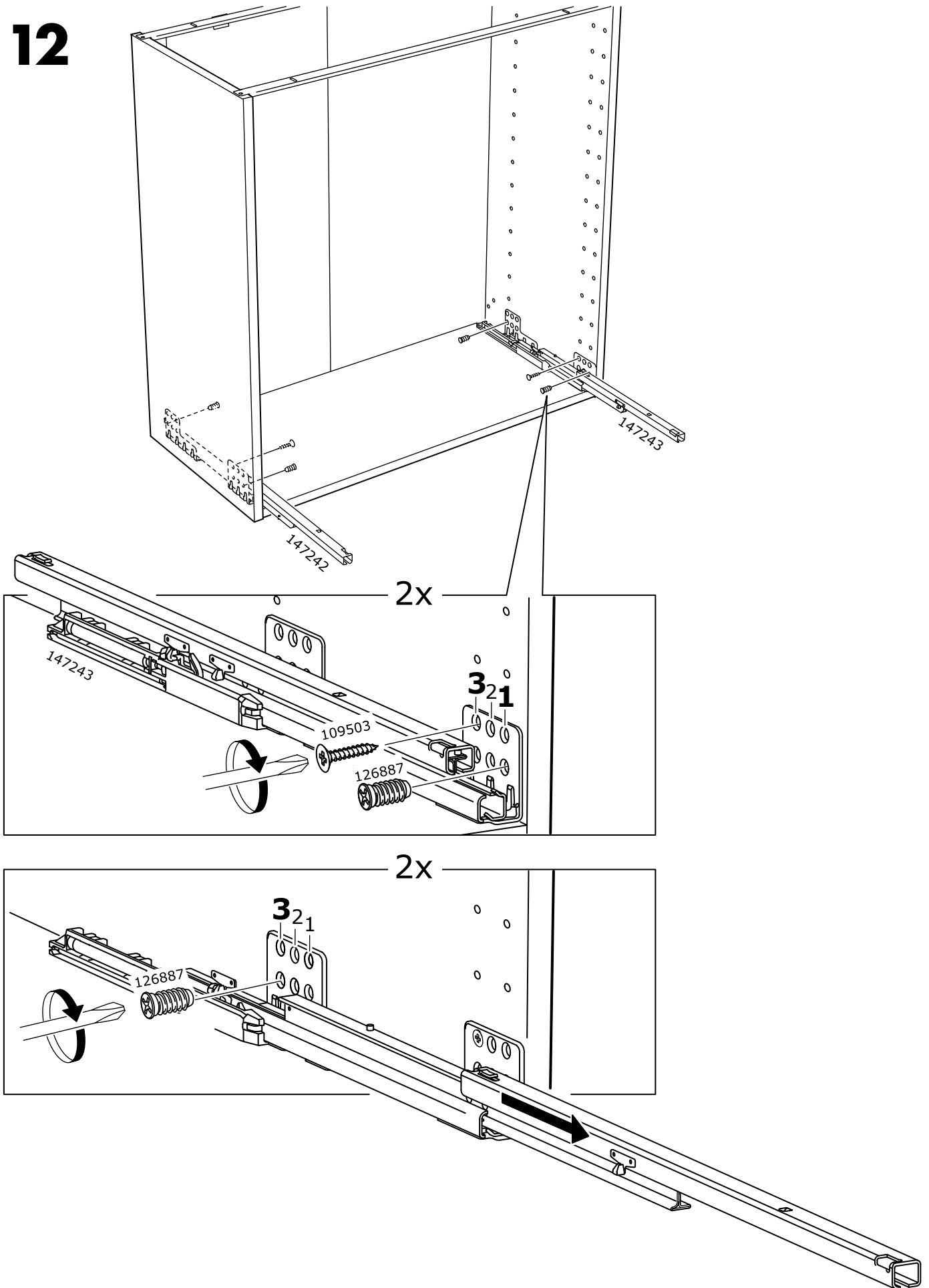
10



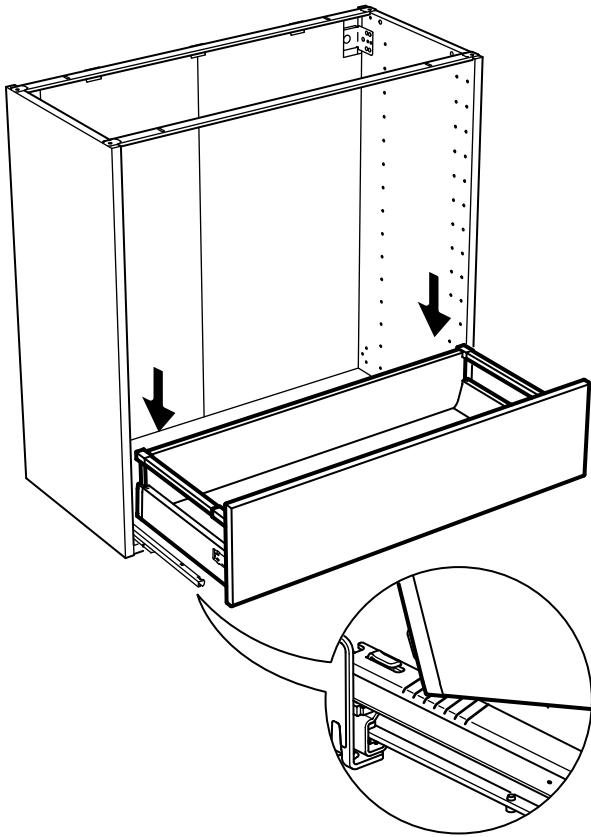
11



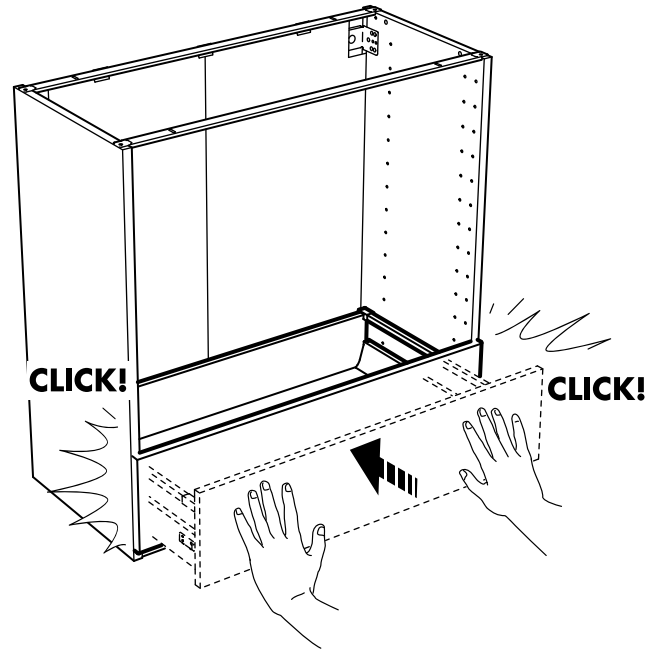
12



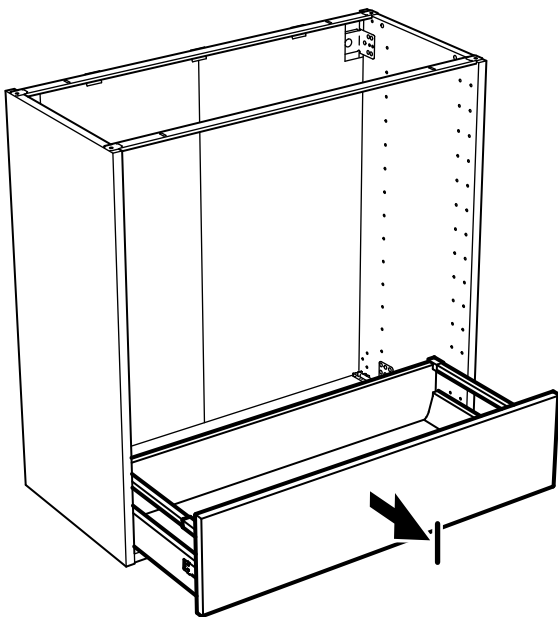
13



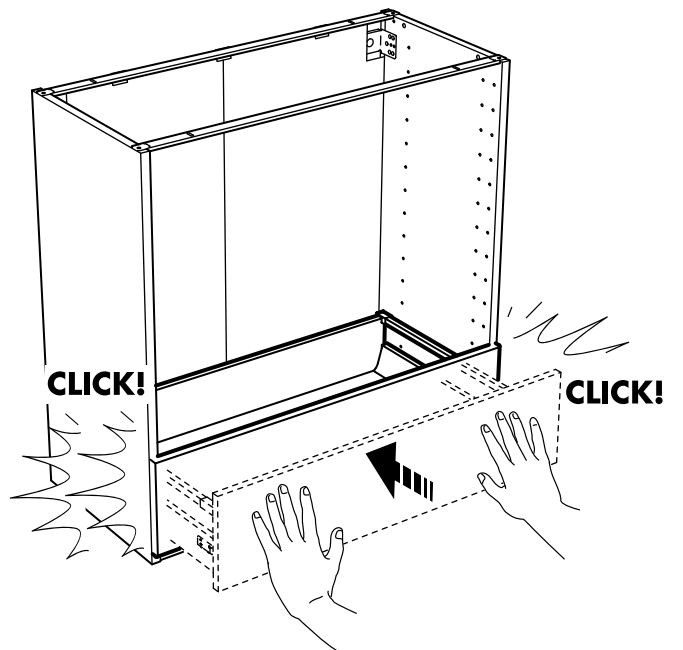
14



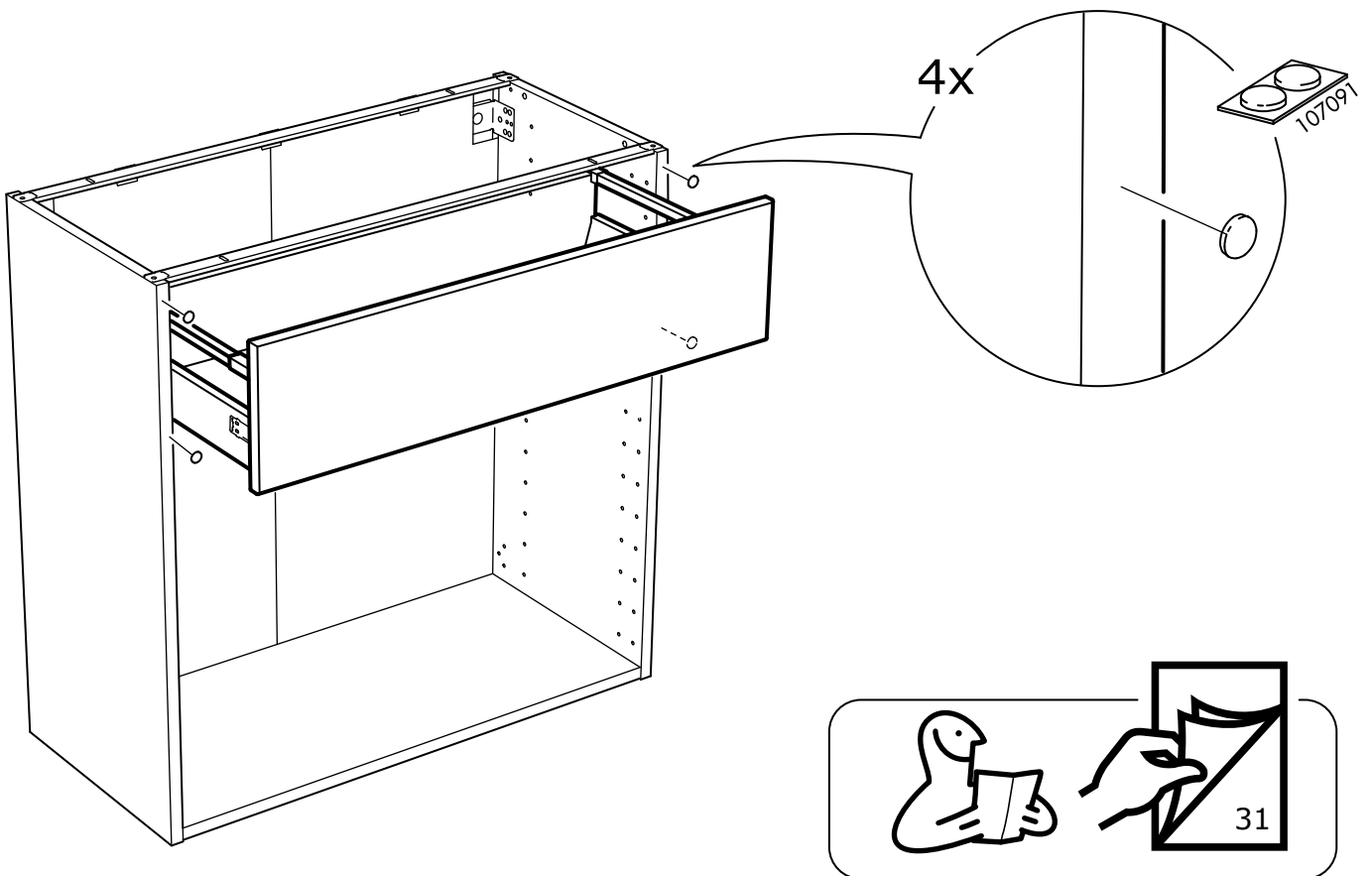
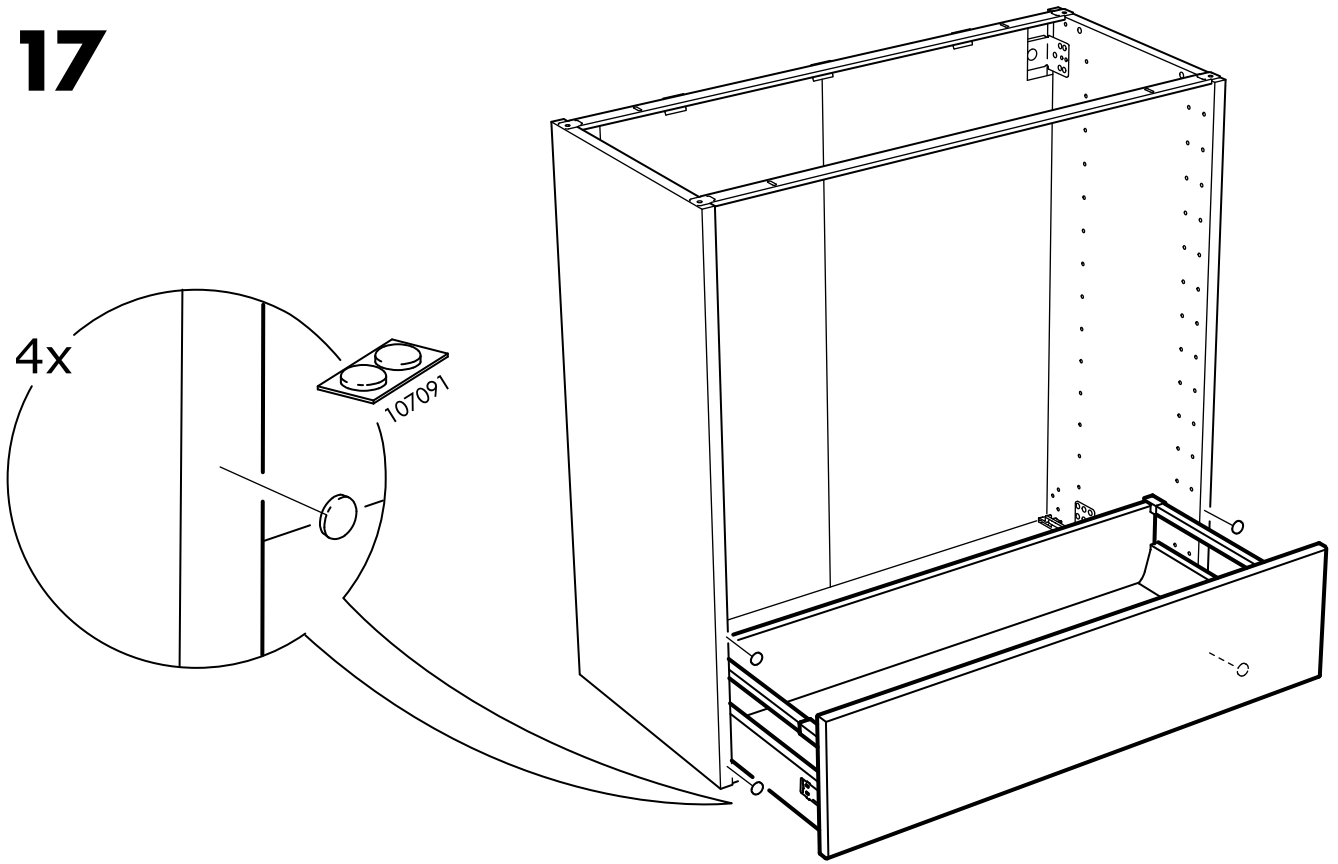
15



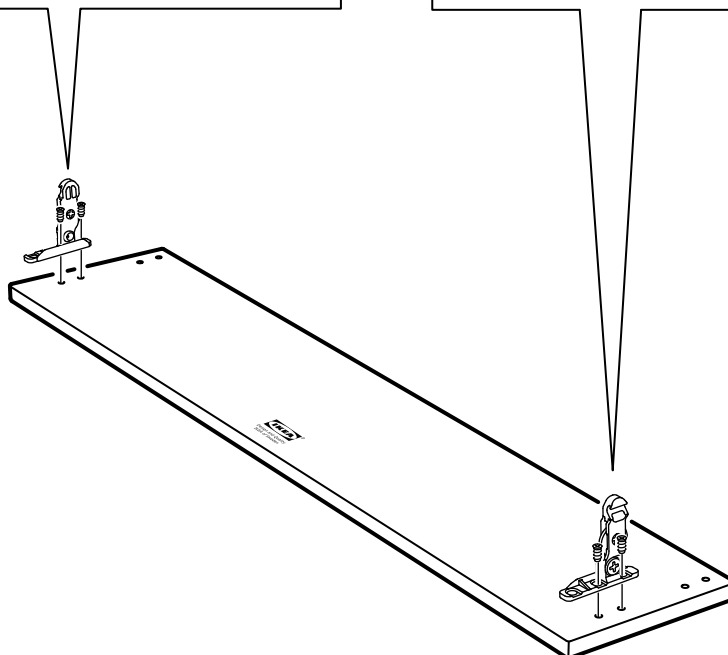
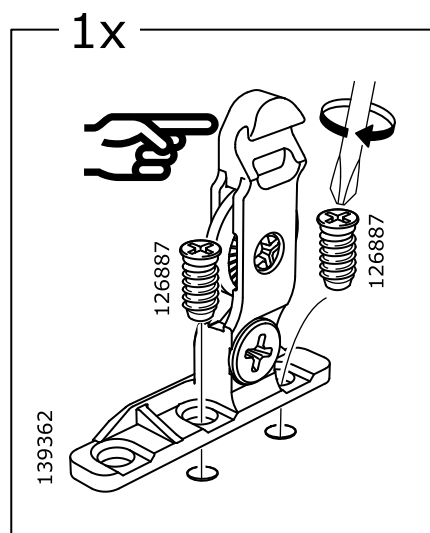
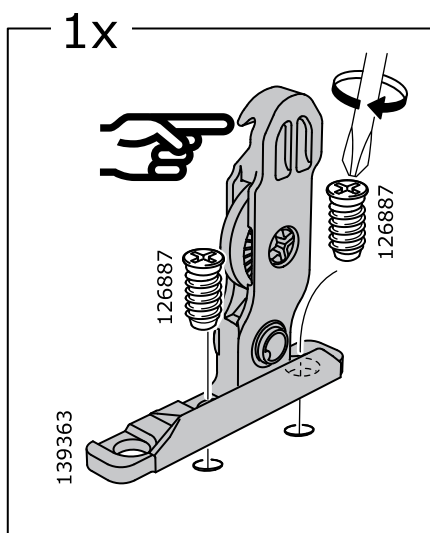
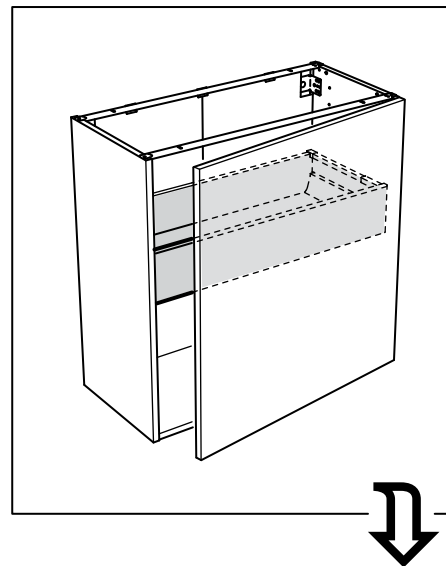
16



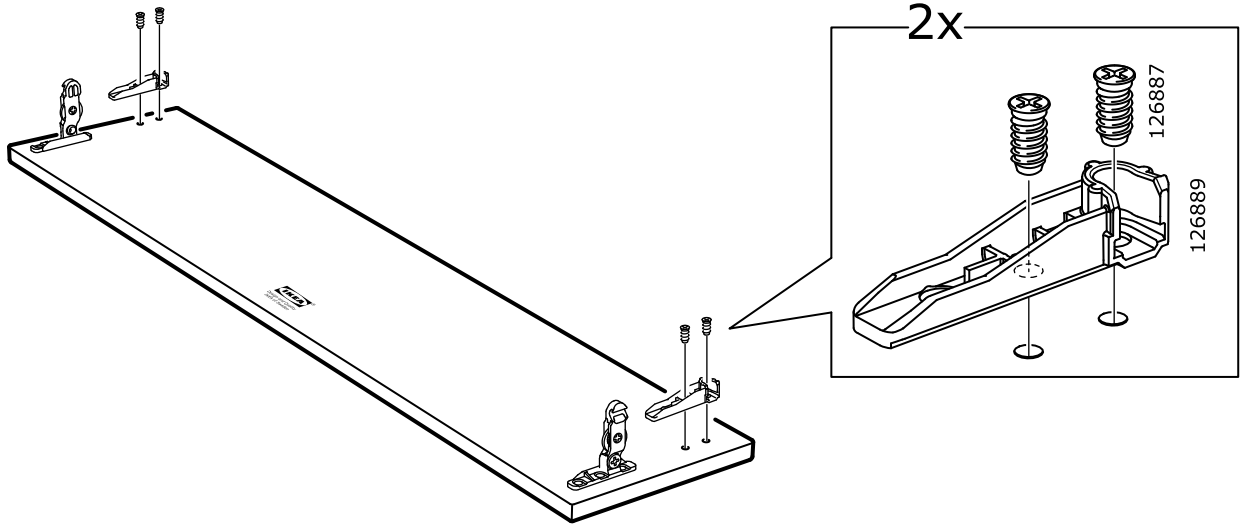
17



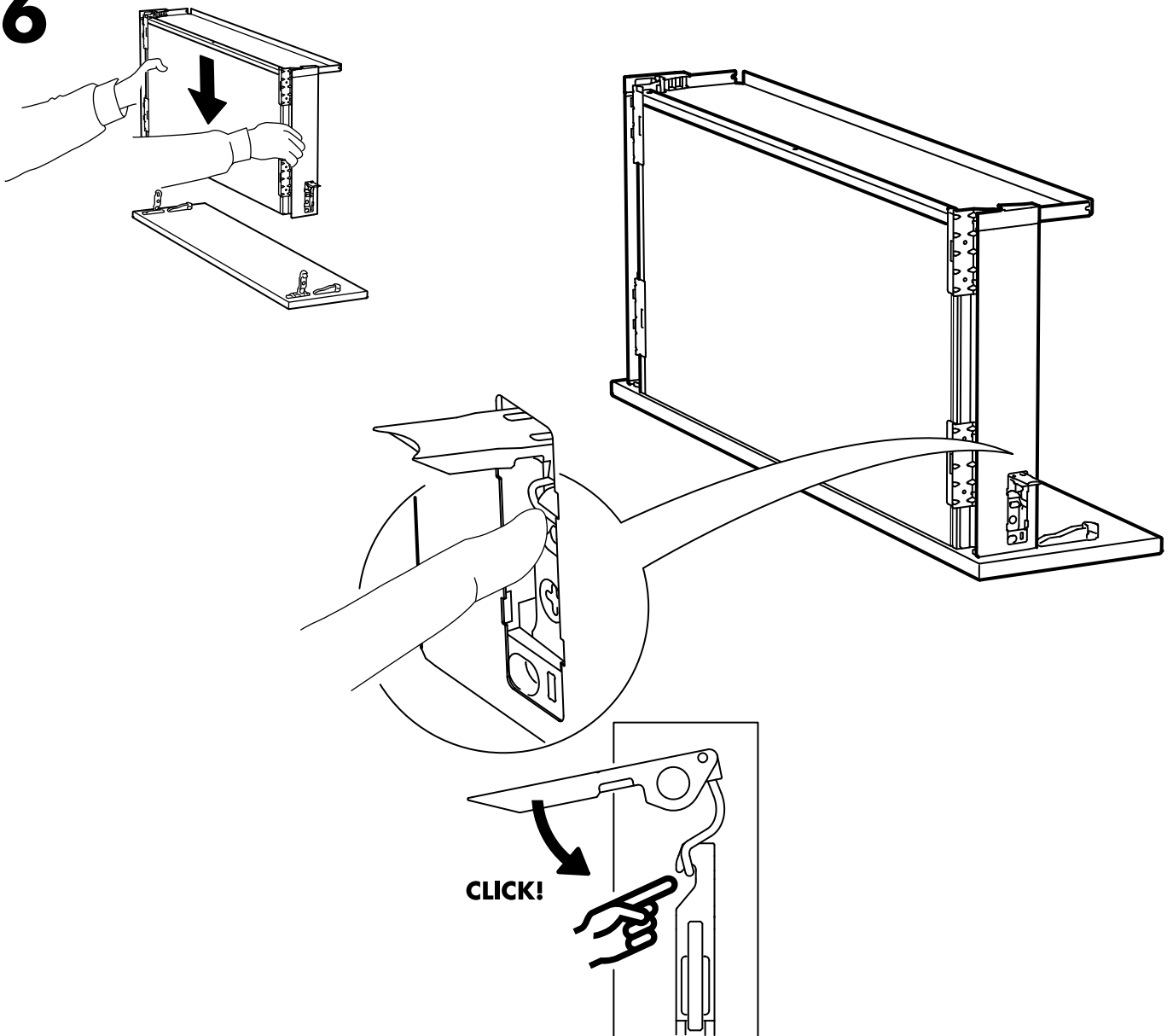
4



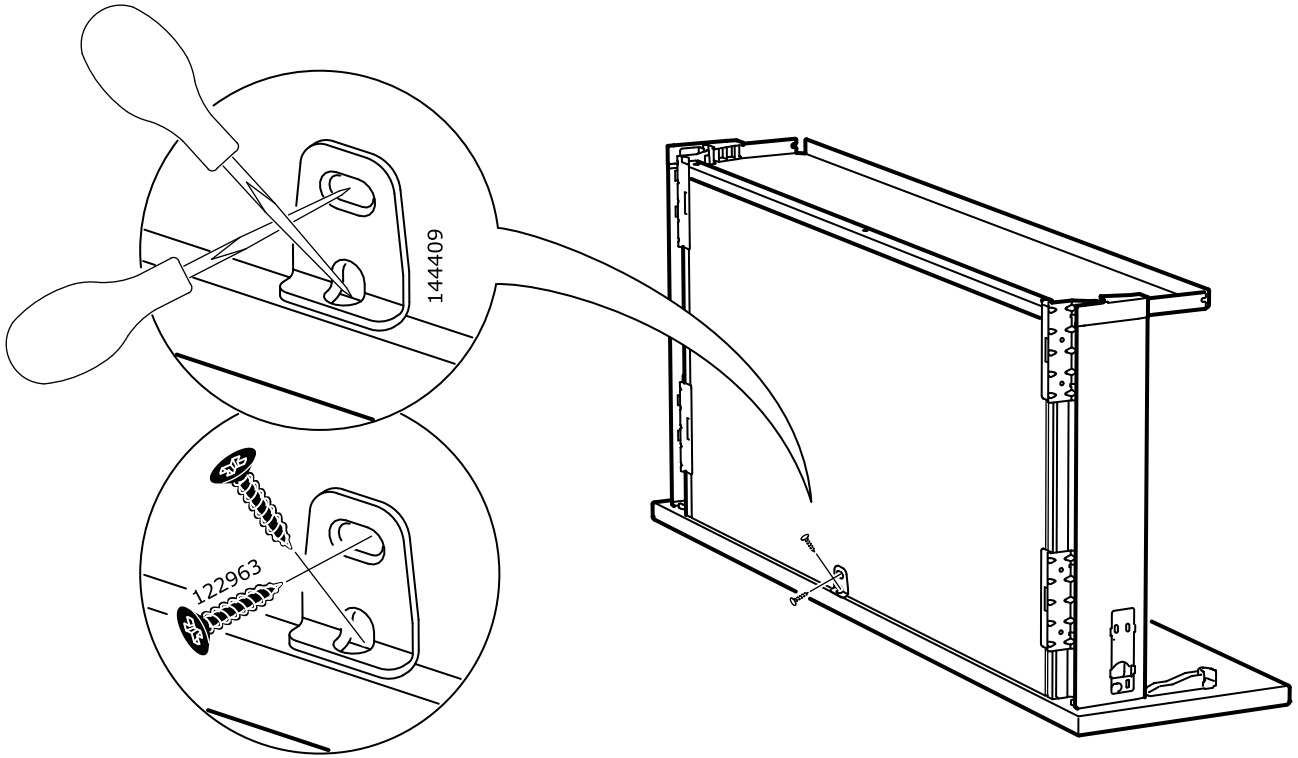
5



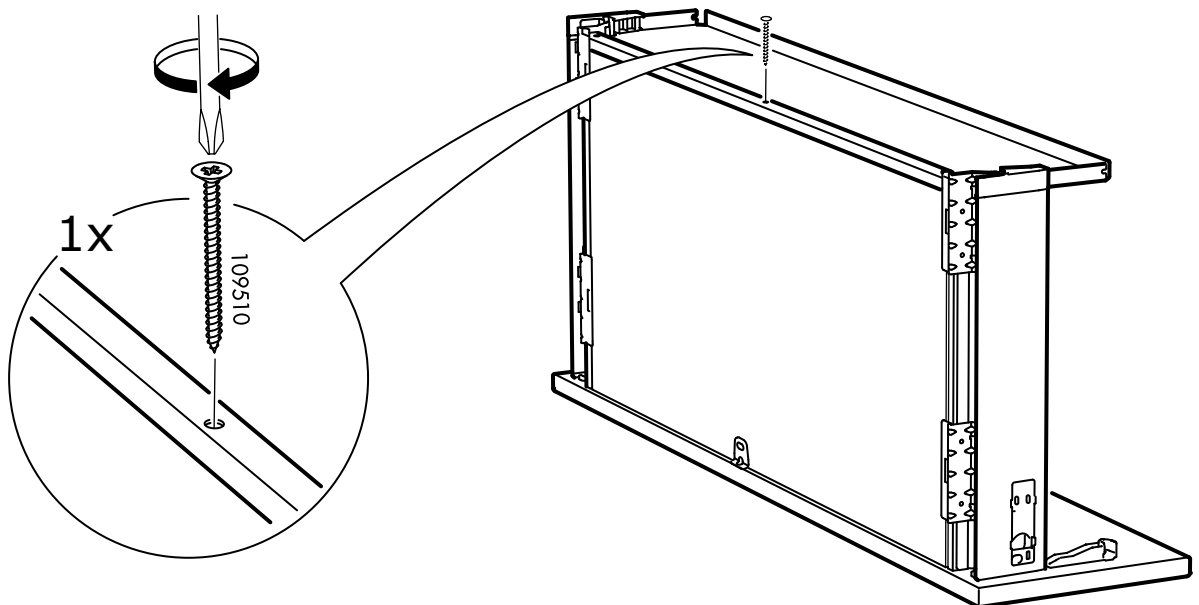
6



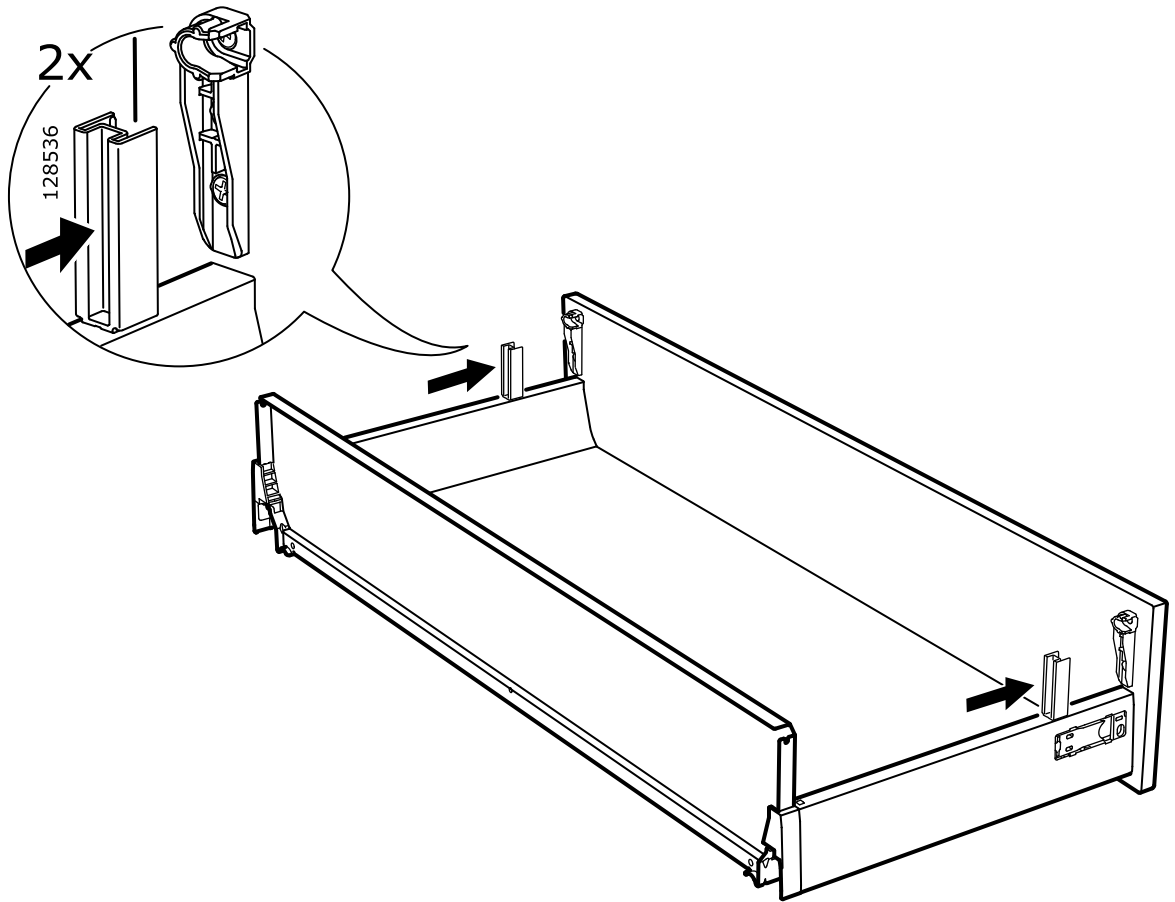
7



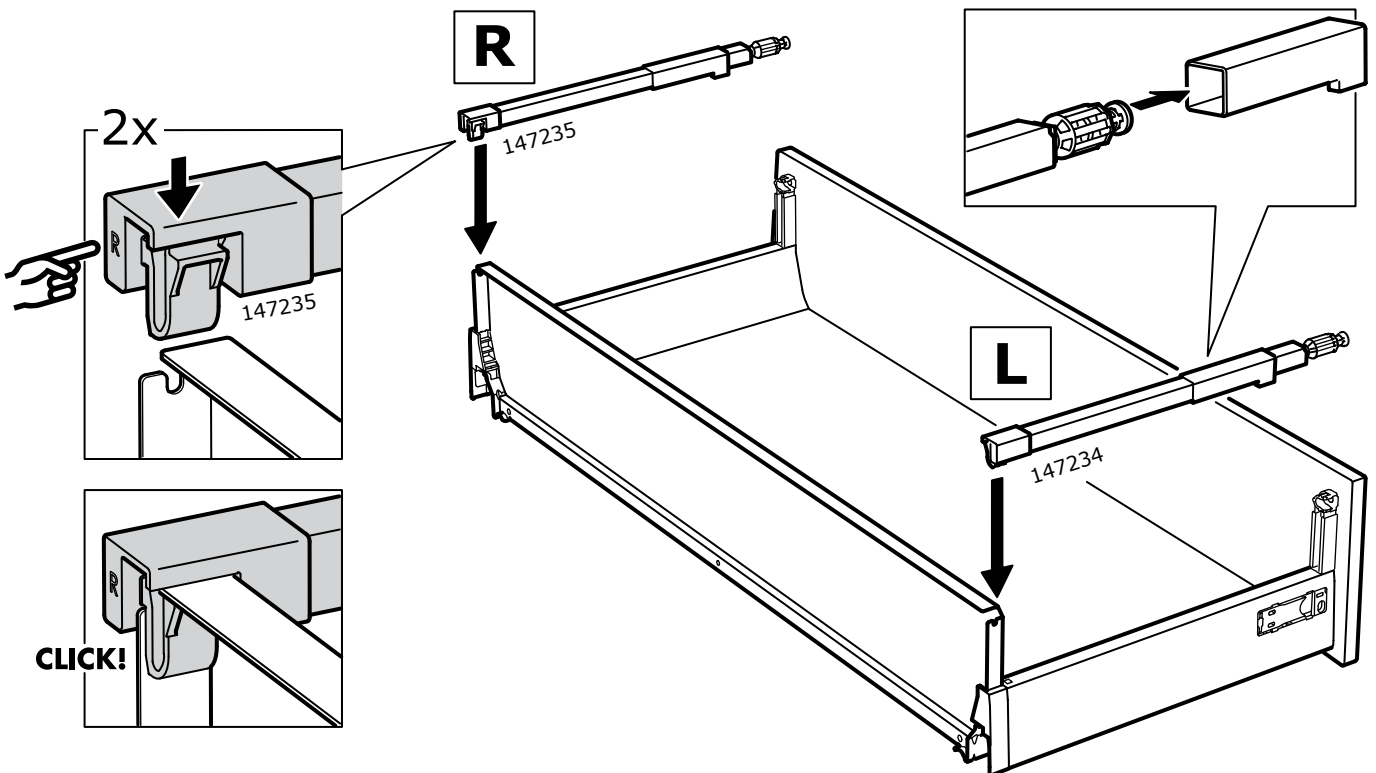
8



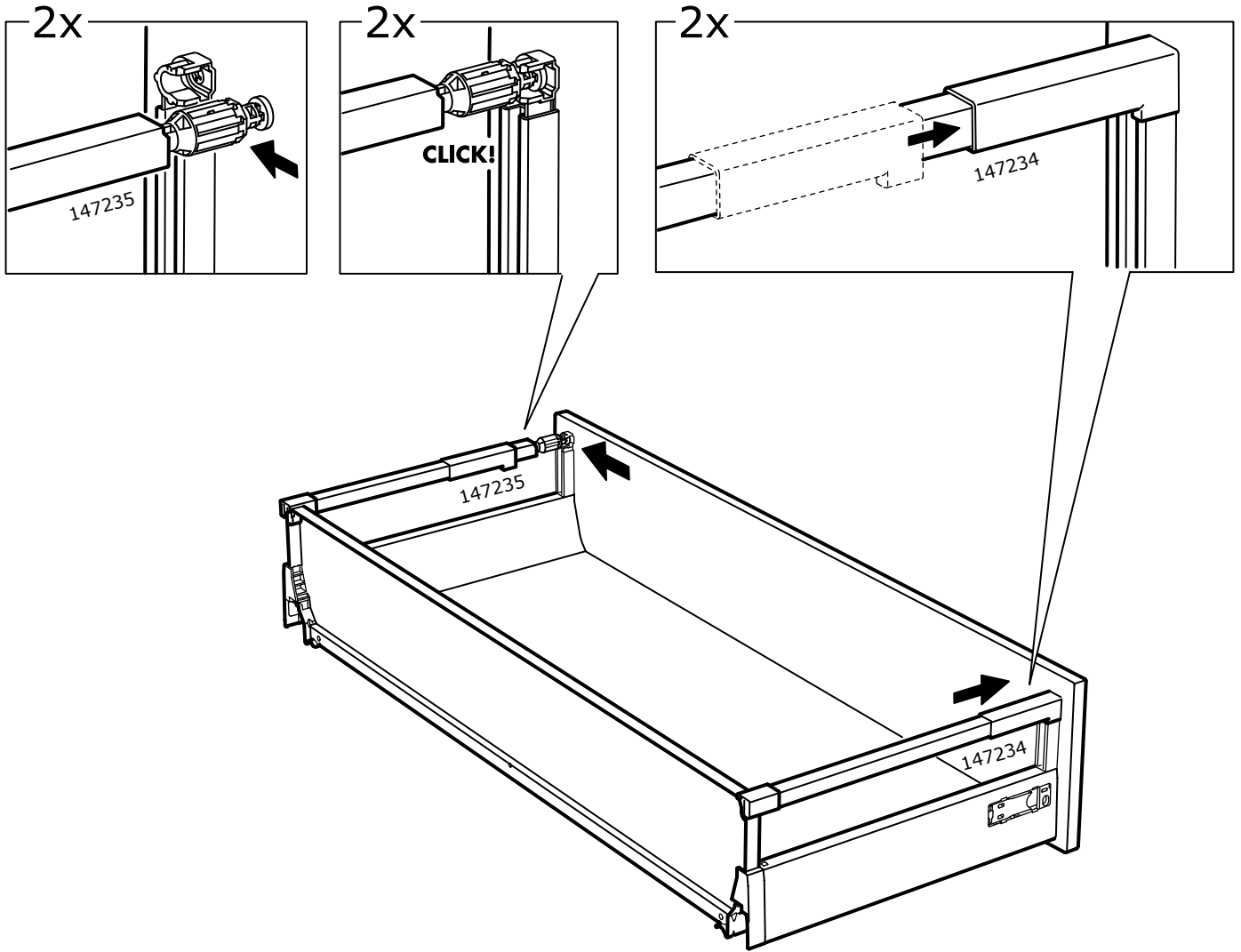
9



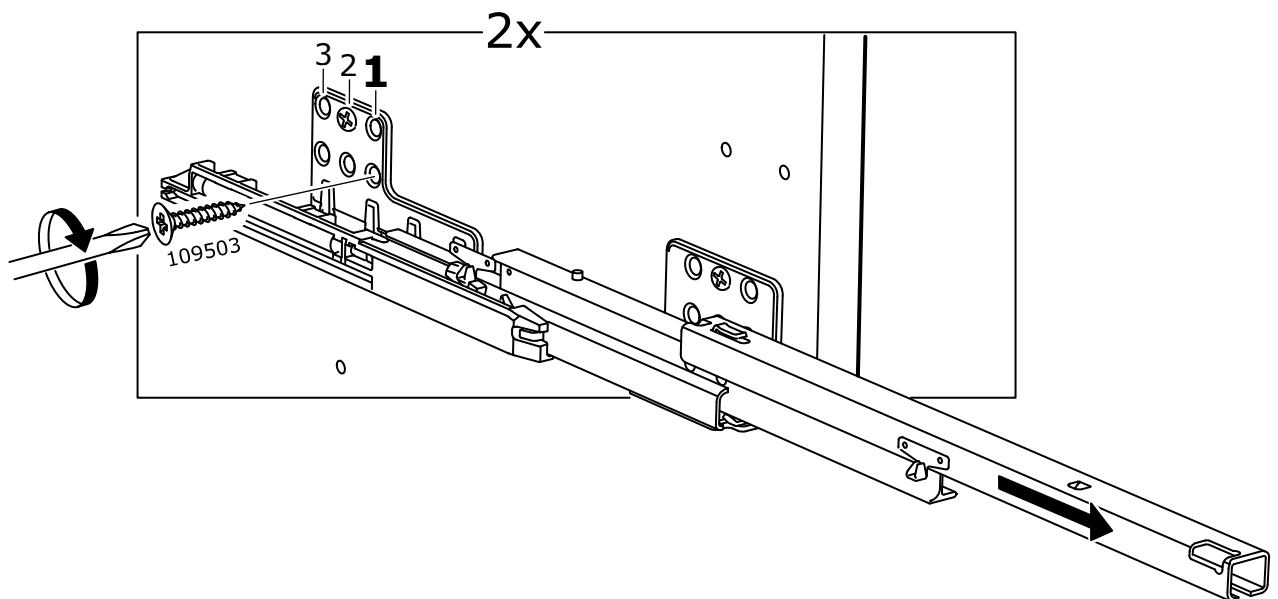
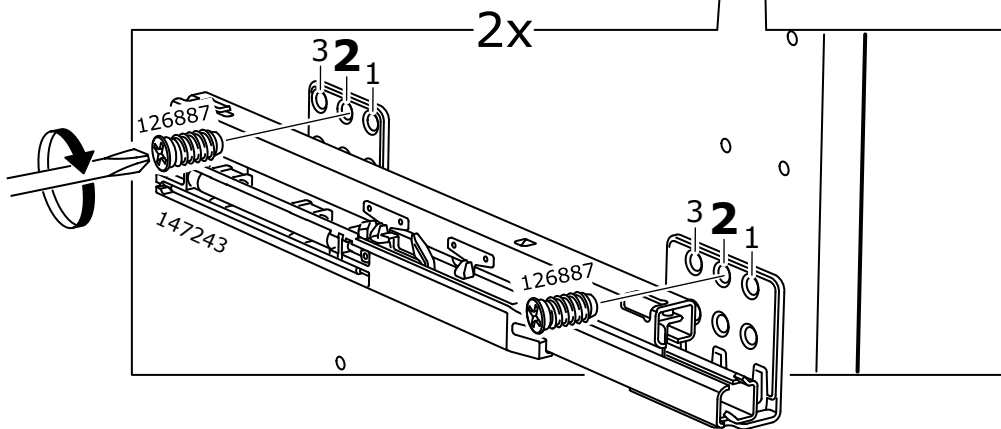
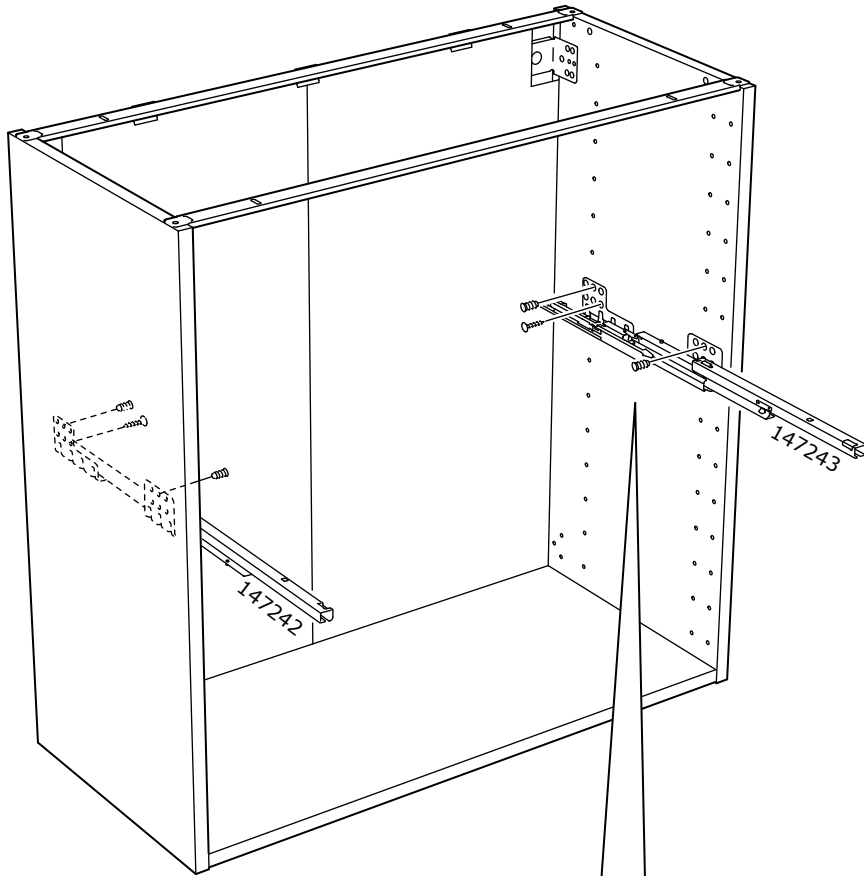
10



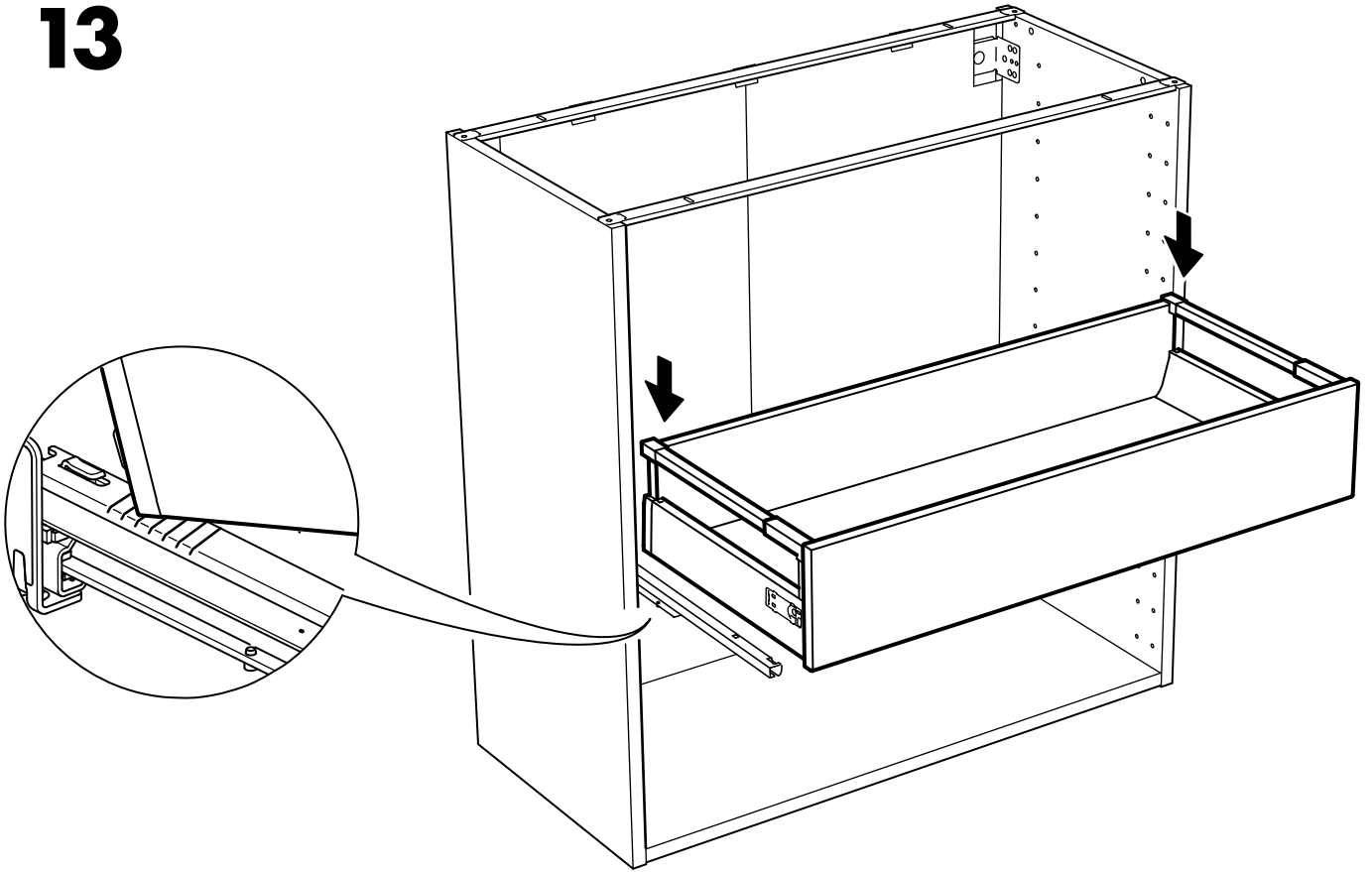
11



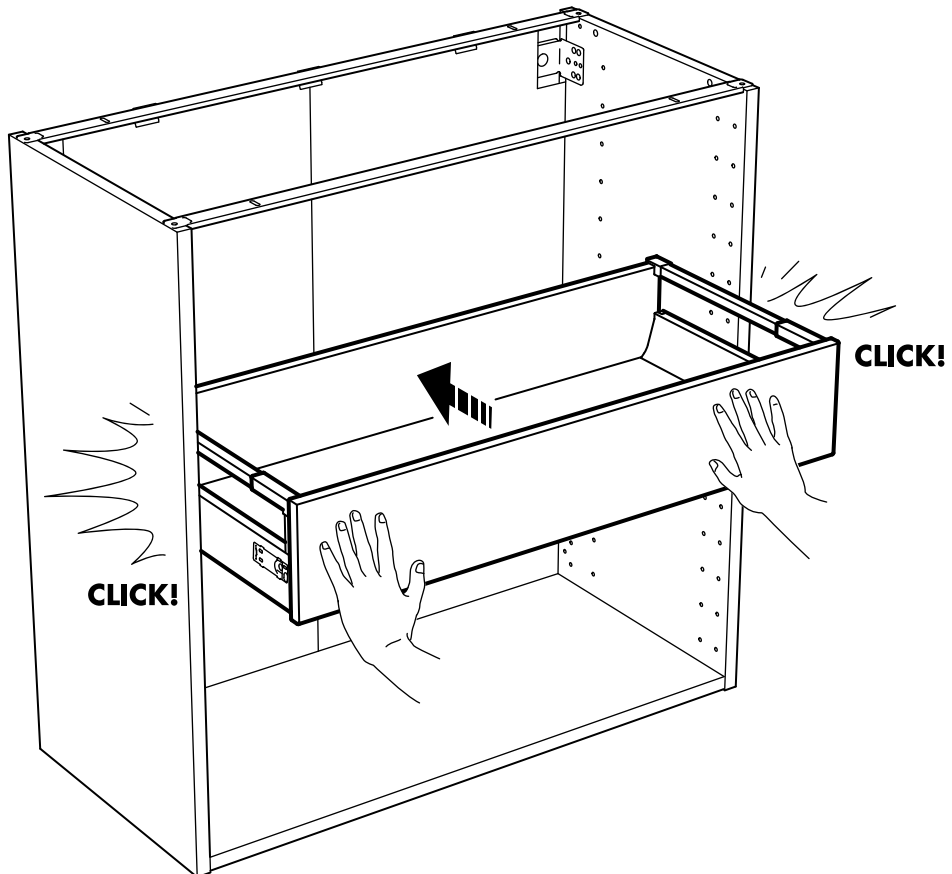
12

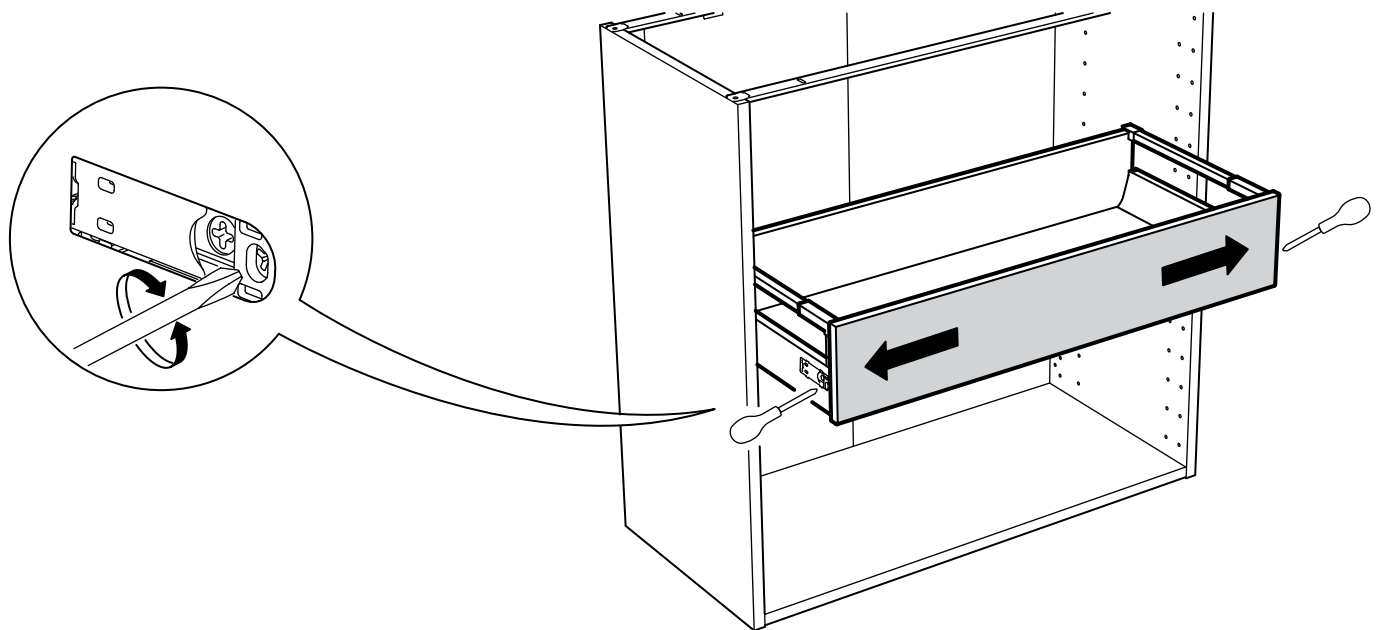
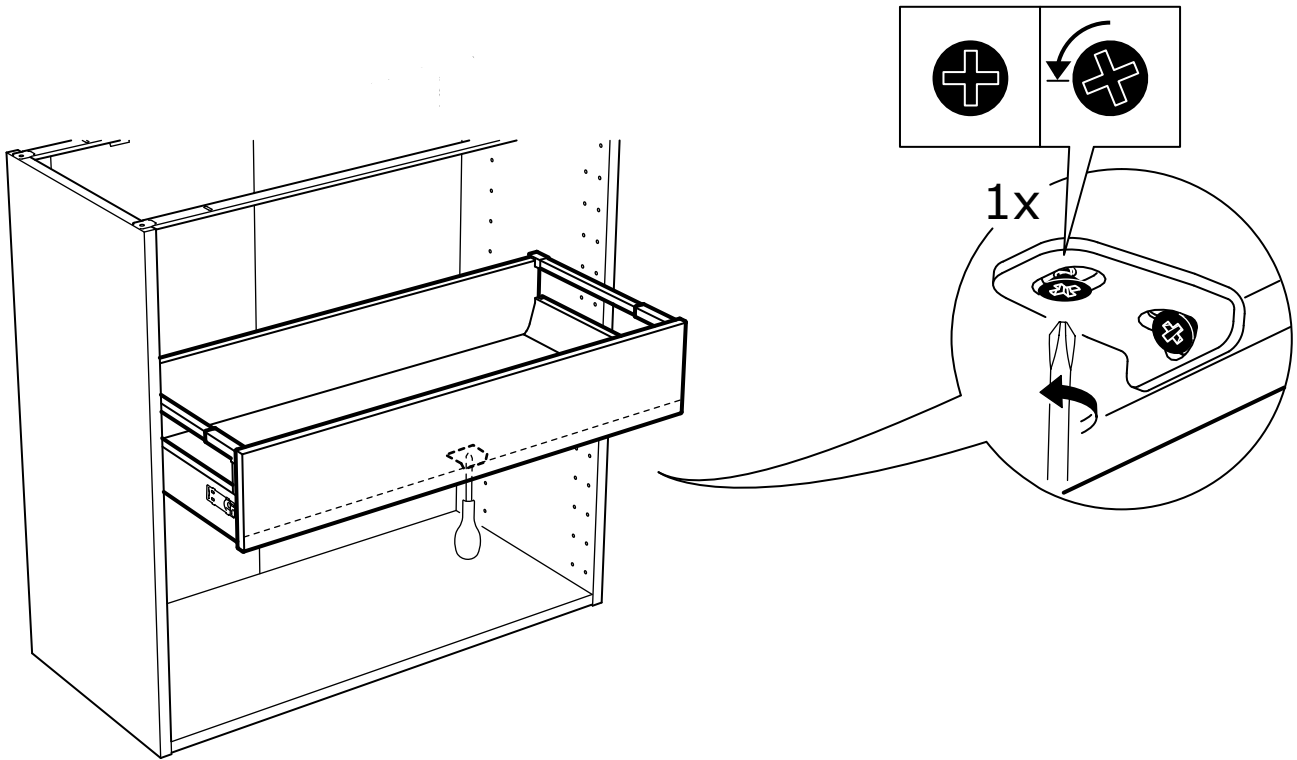
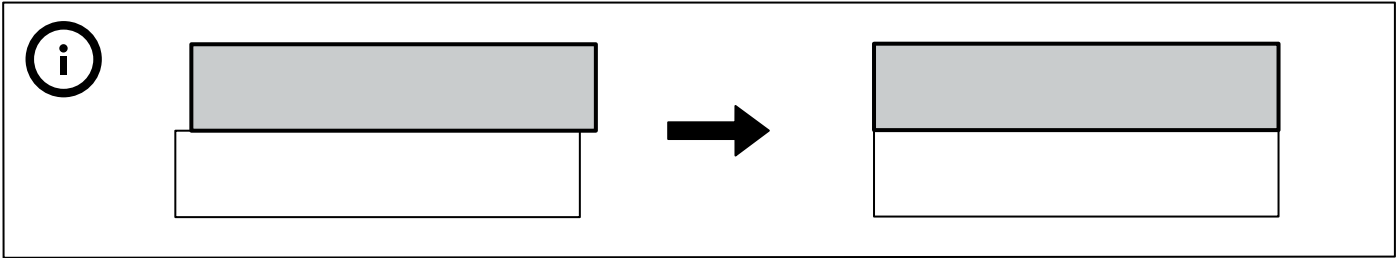


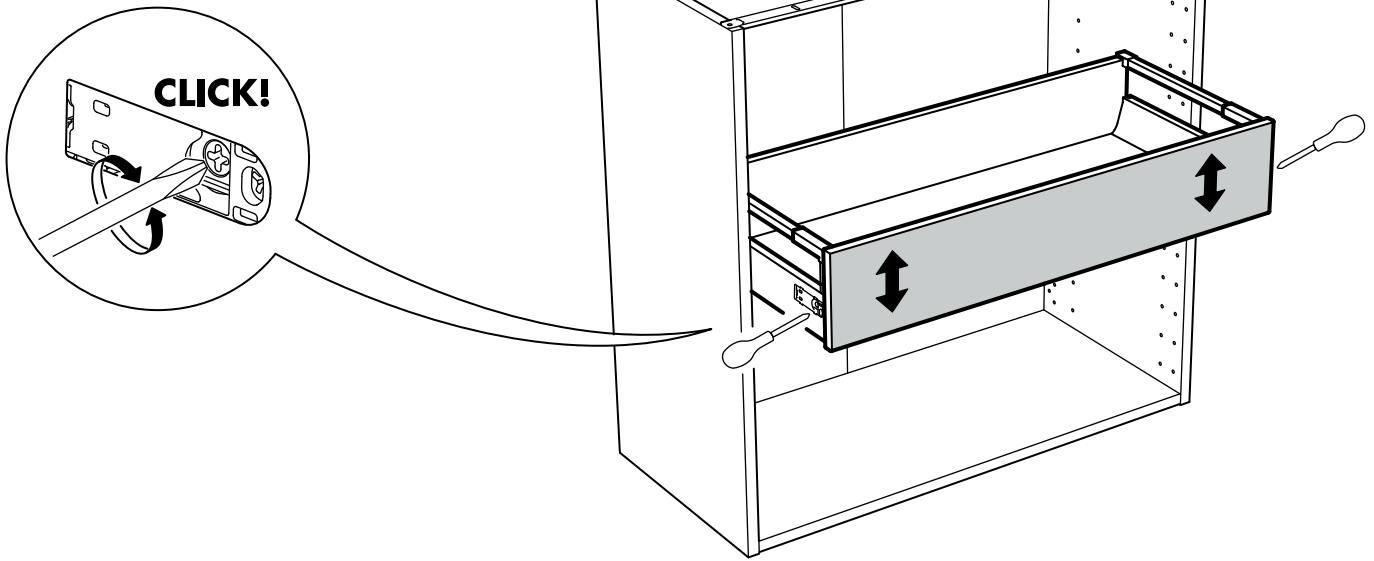
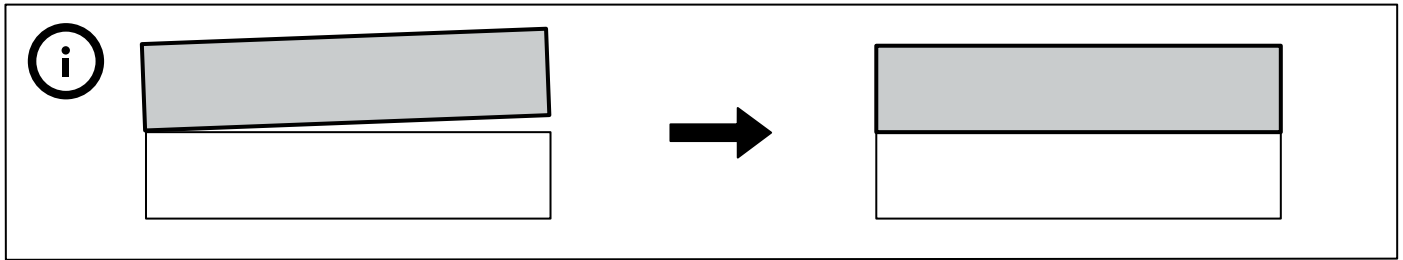
13



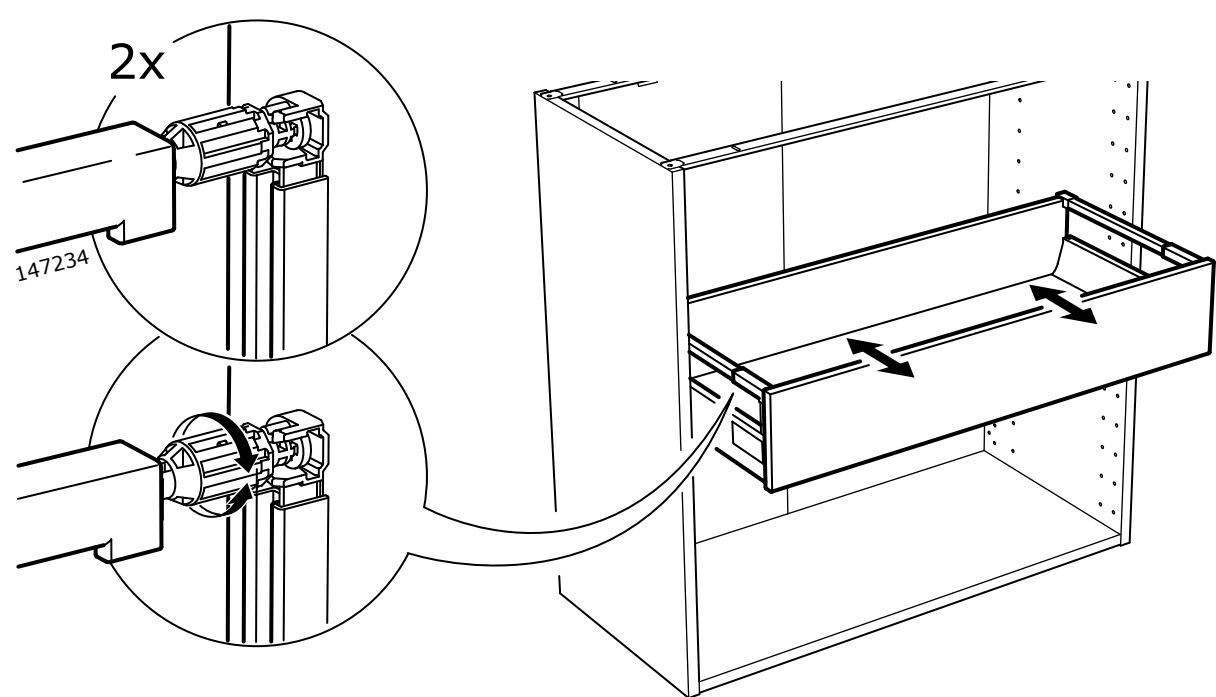
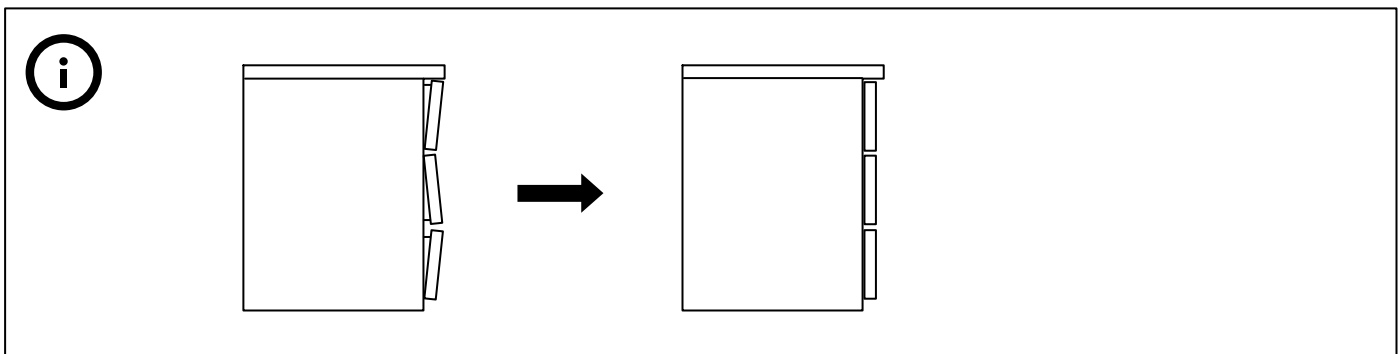
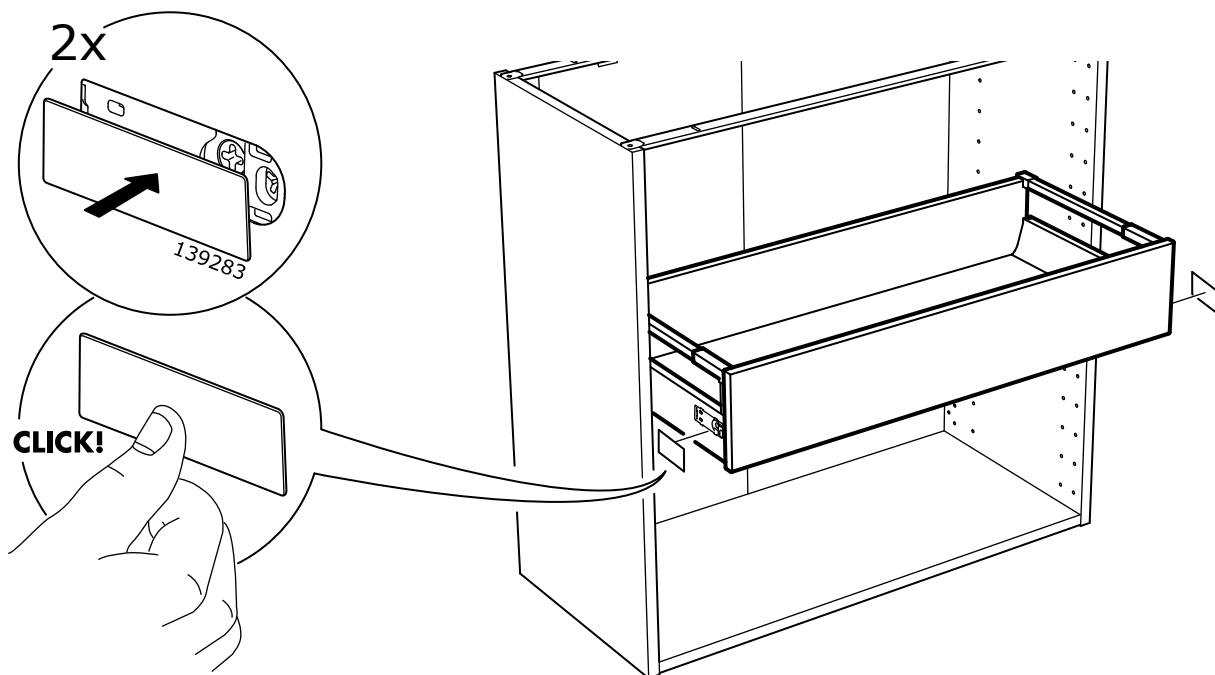
14

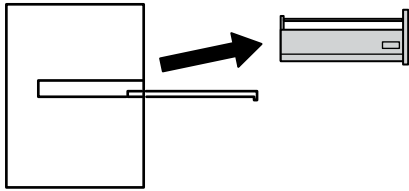




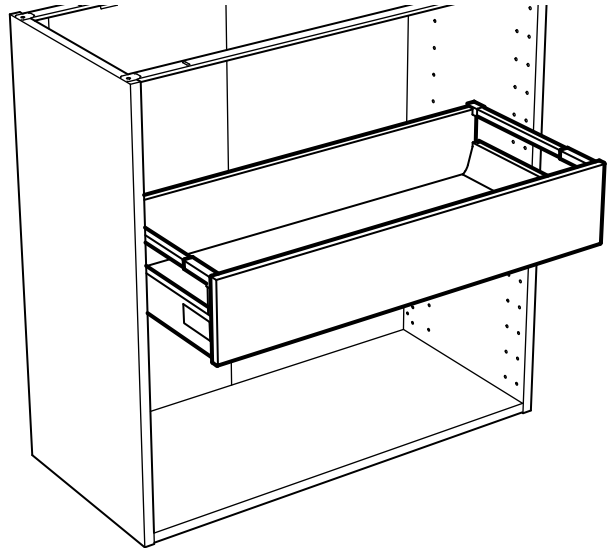


15

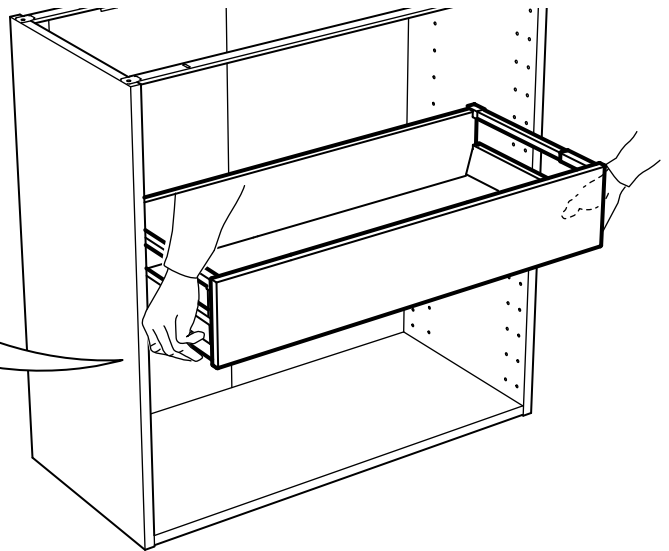
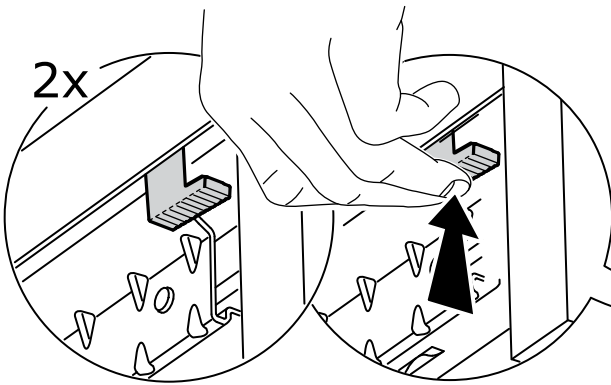




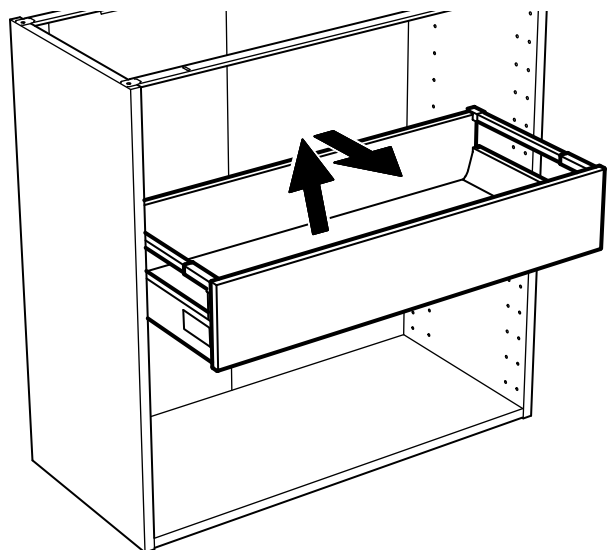
1

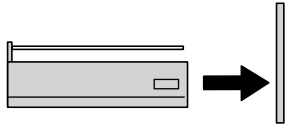


2

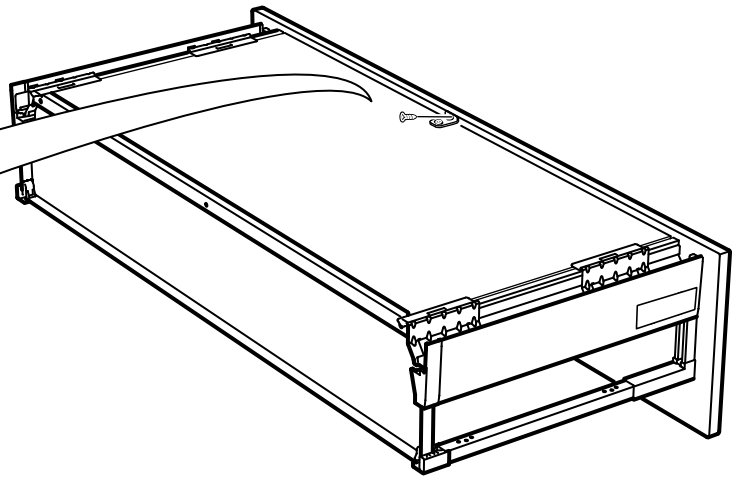
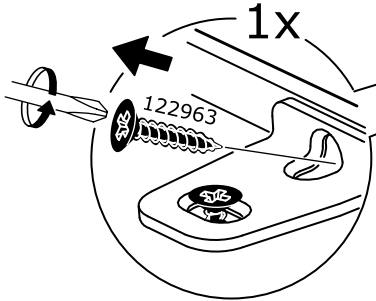


3



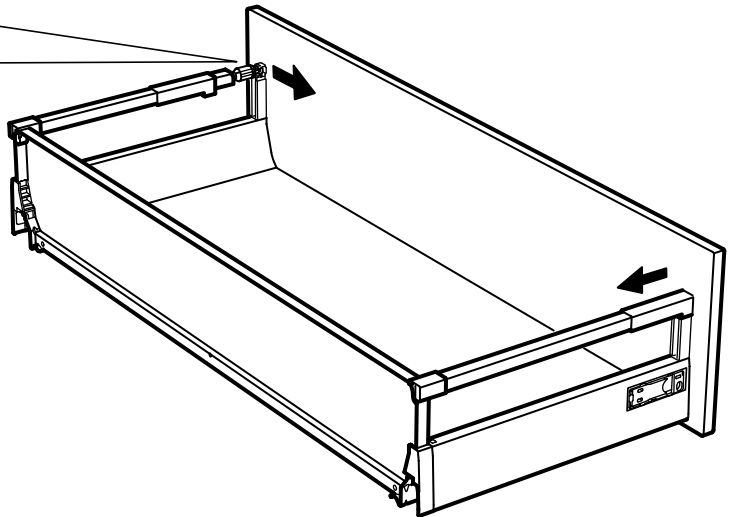
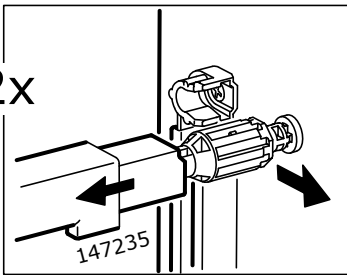


1



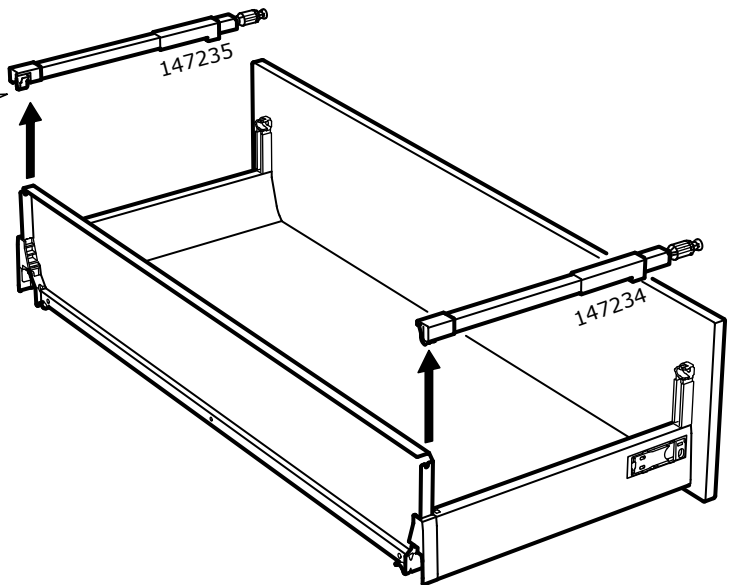
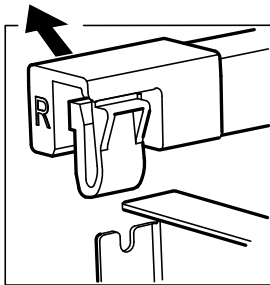
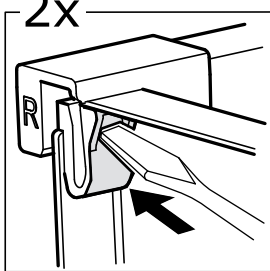
2

2x



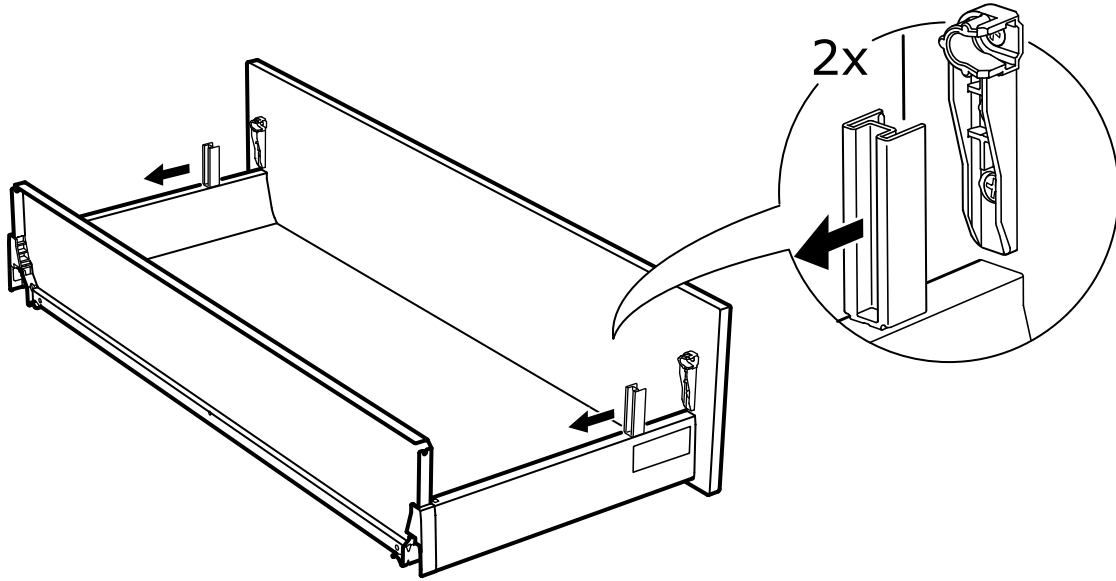
3

2x





4



5

