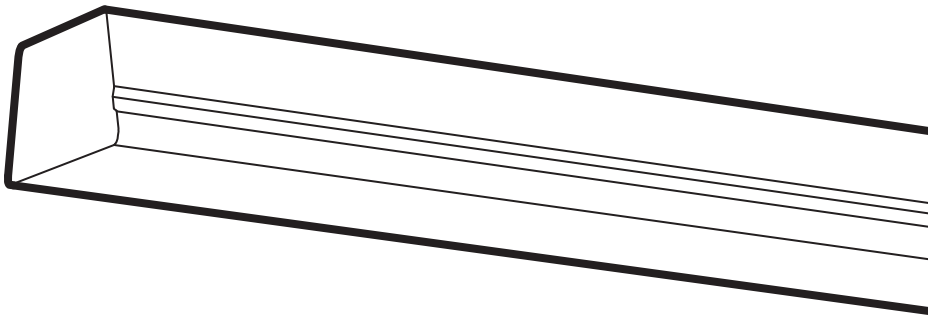
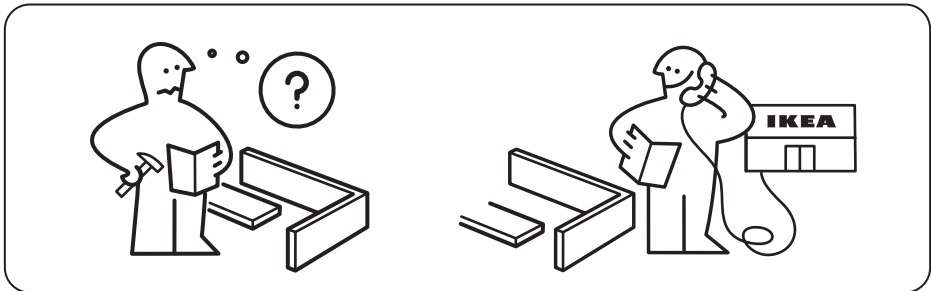
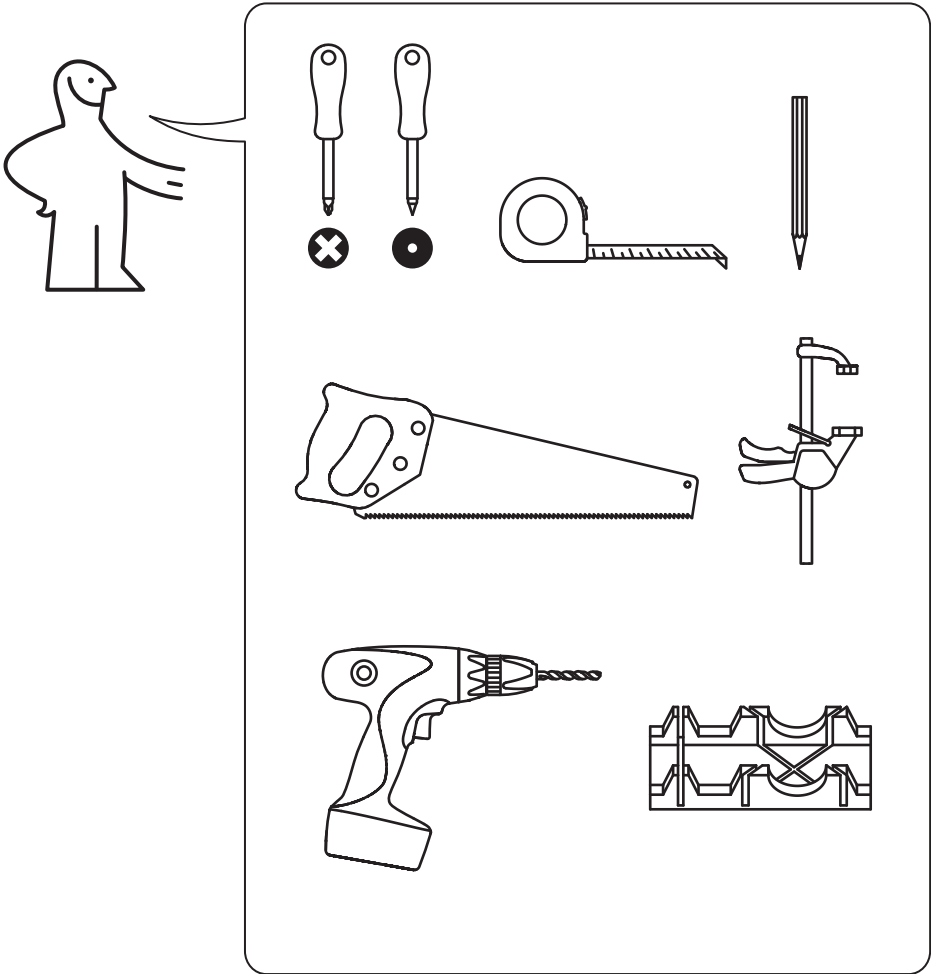


# STENSUND



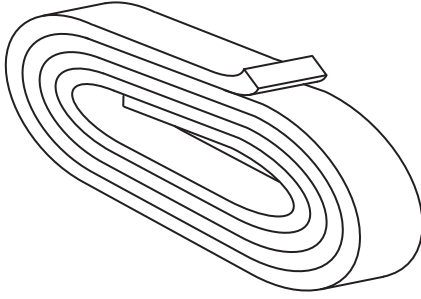
Design and Quality  
IKEA of Sweden





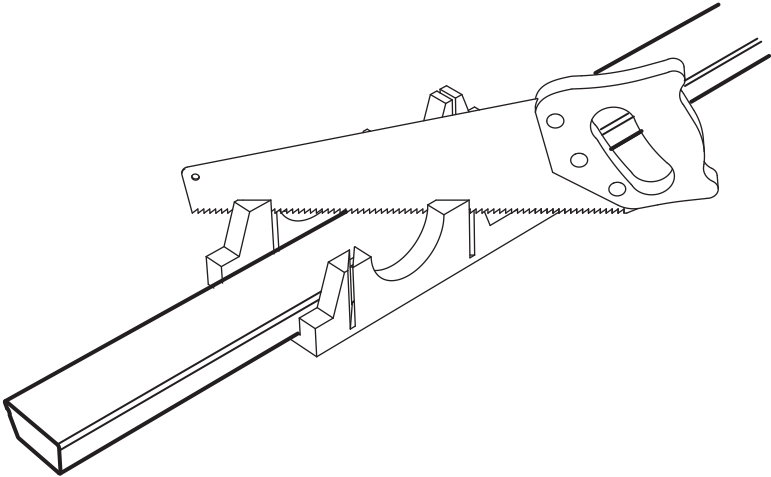
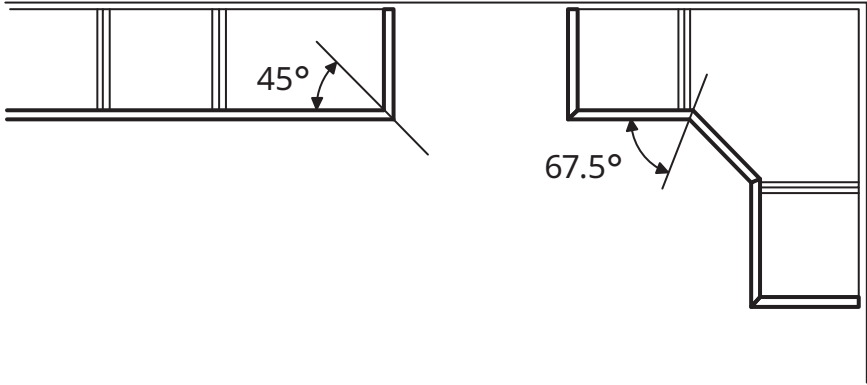
109537

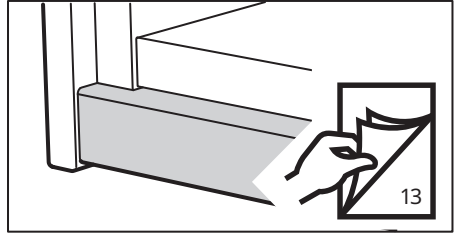
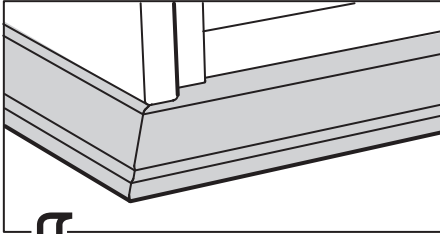
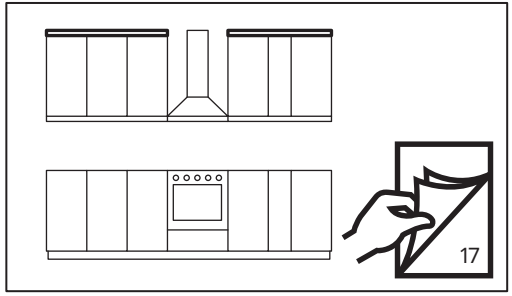
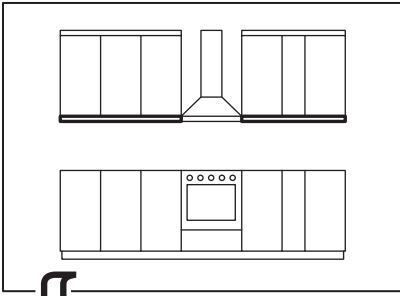
8x



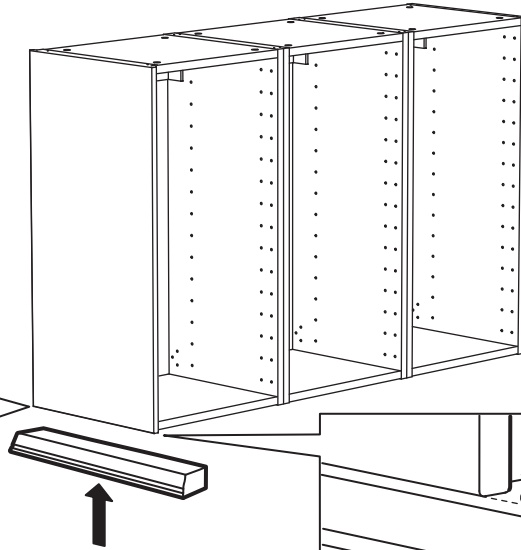
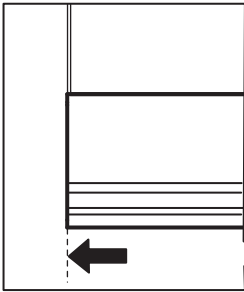
102437

2x

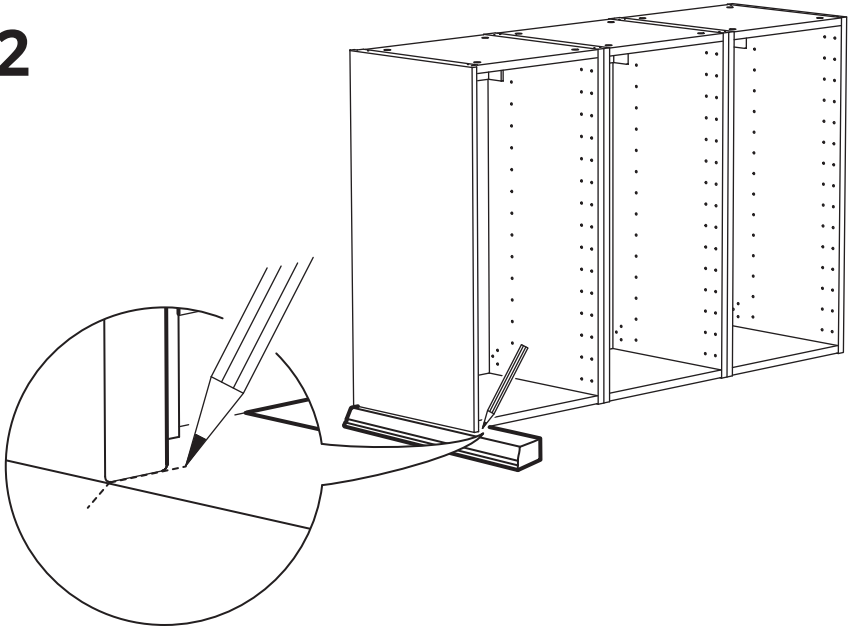




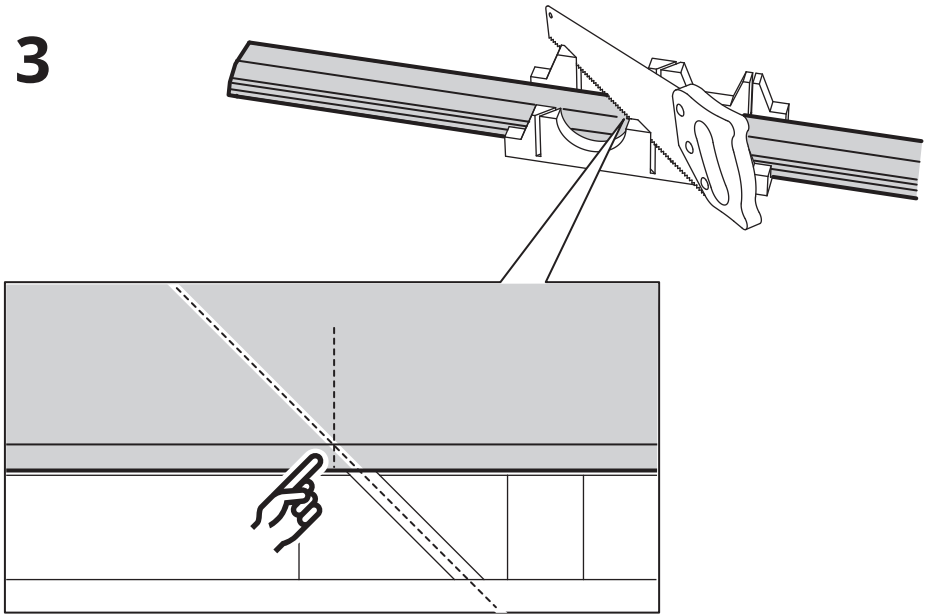
**1**



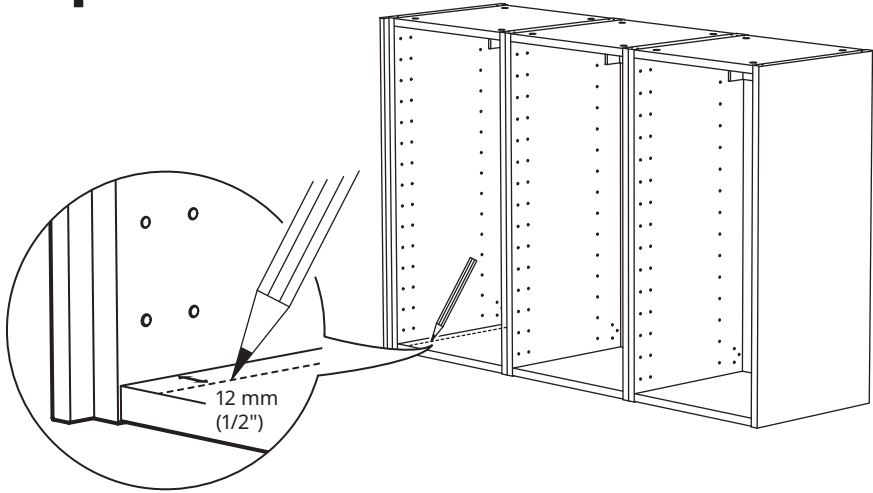
2



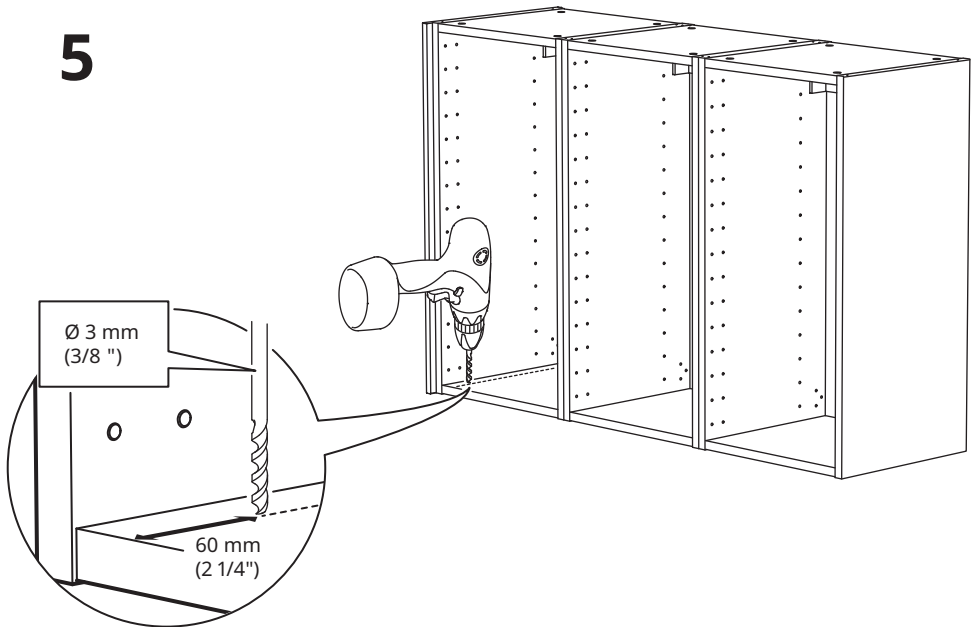
3

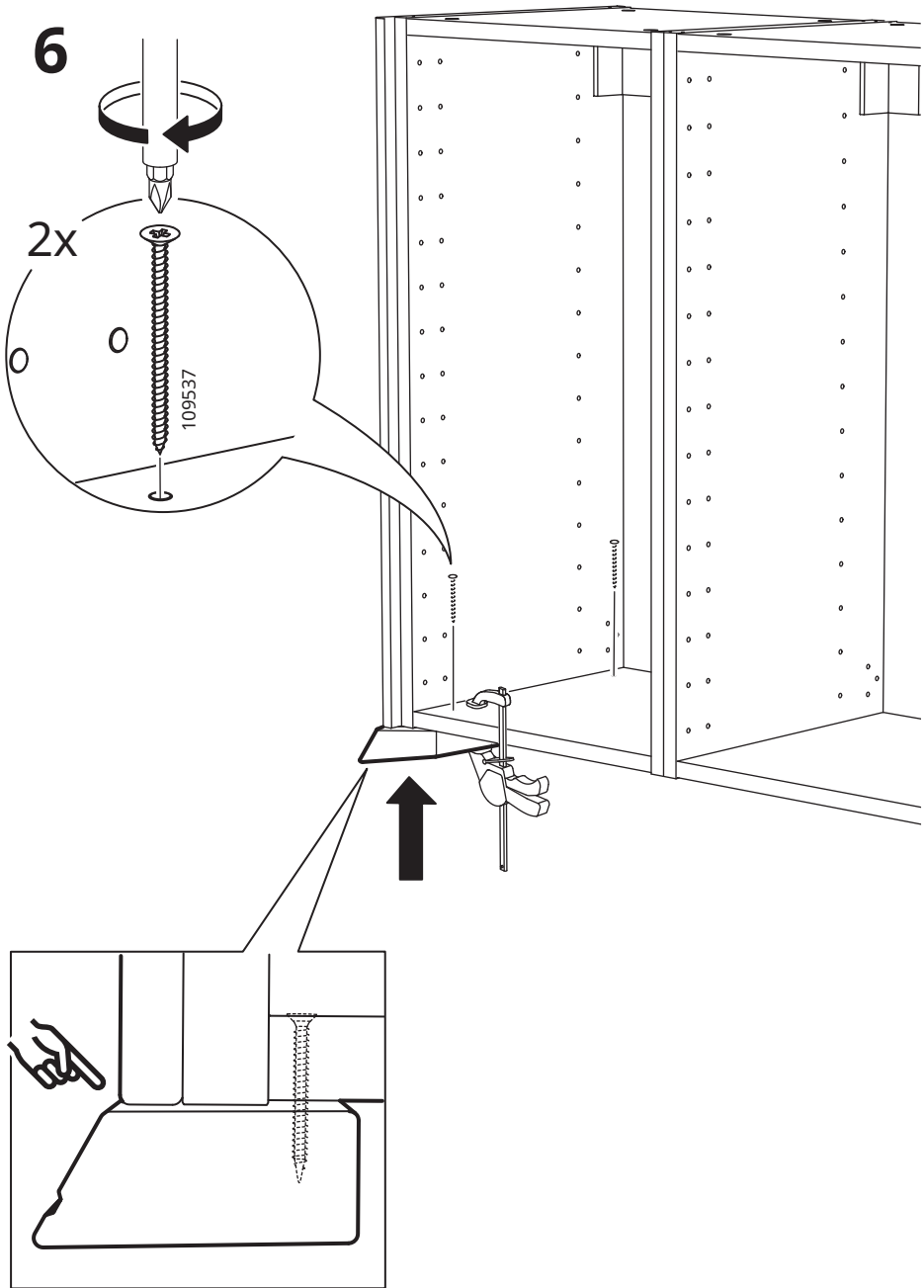


4



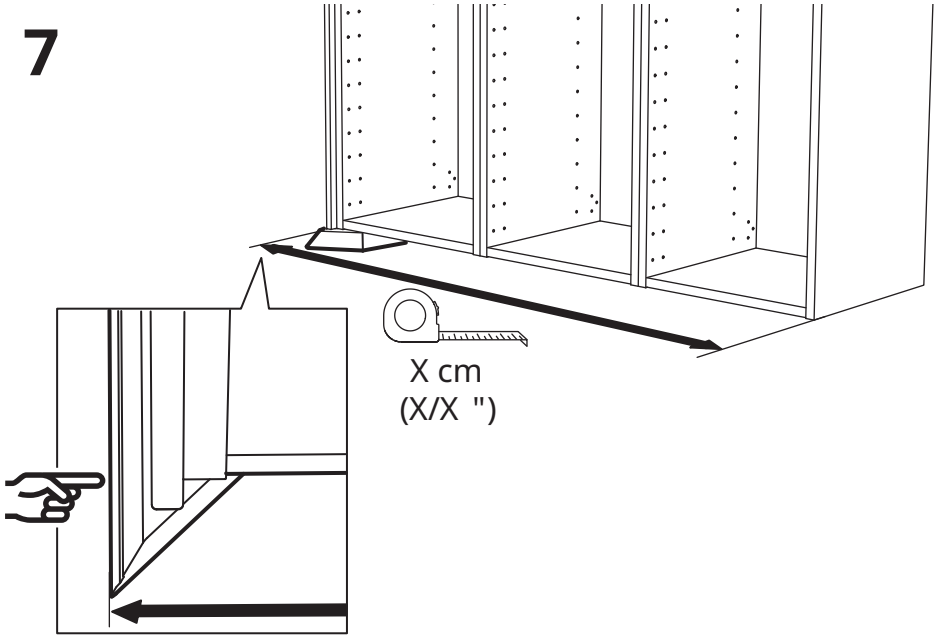
5



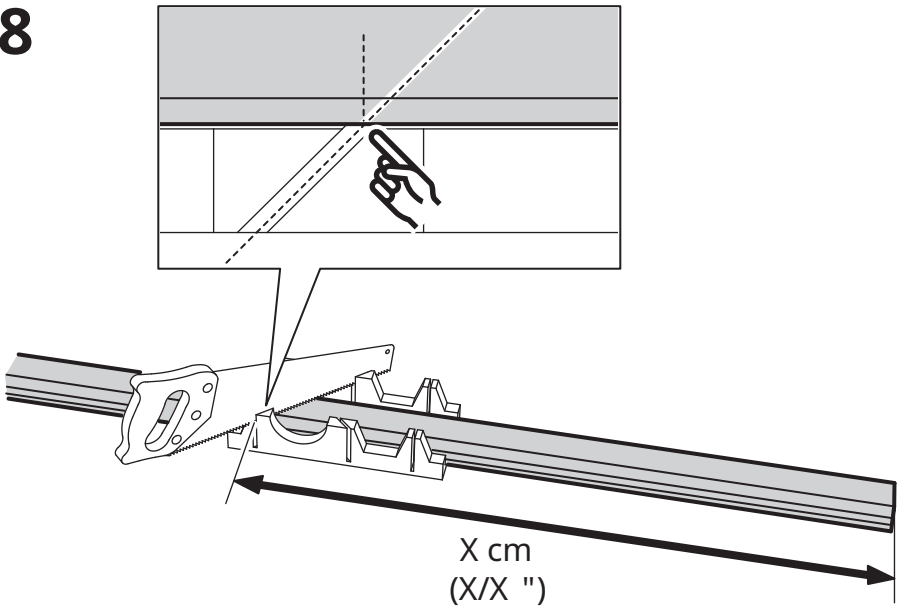




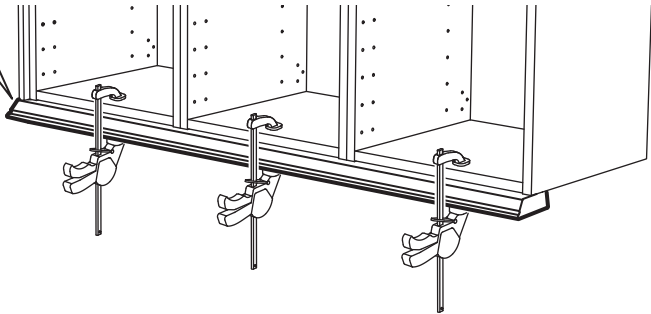
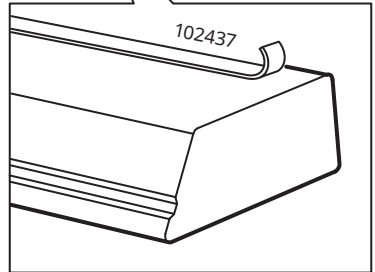
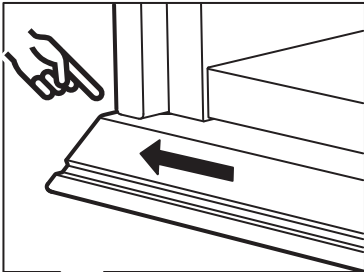
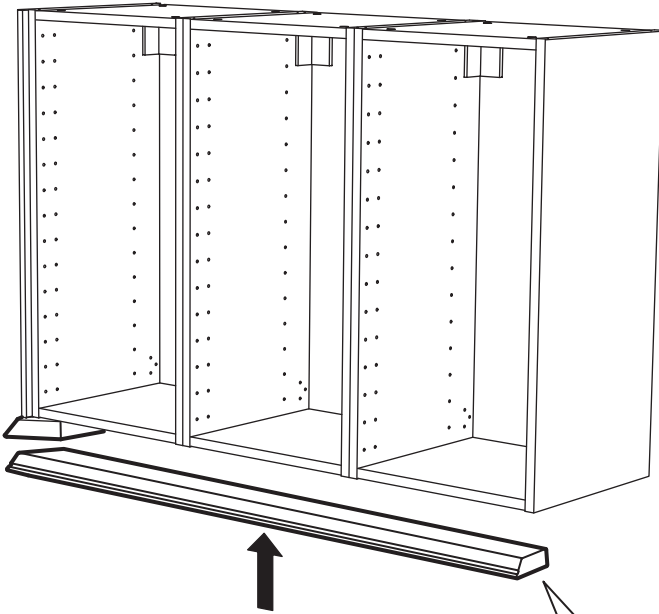
7



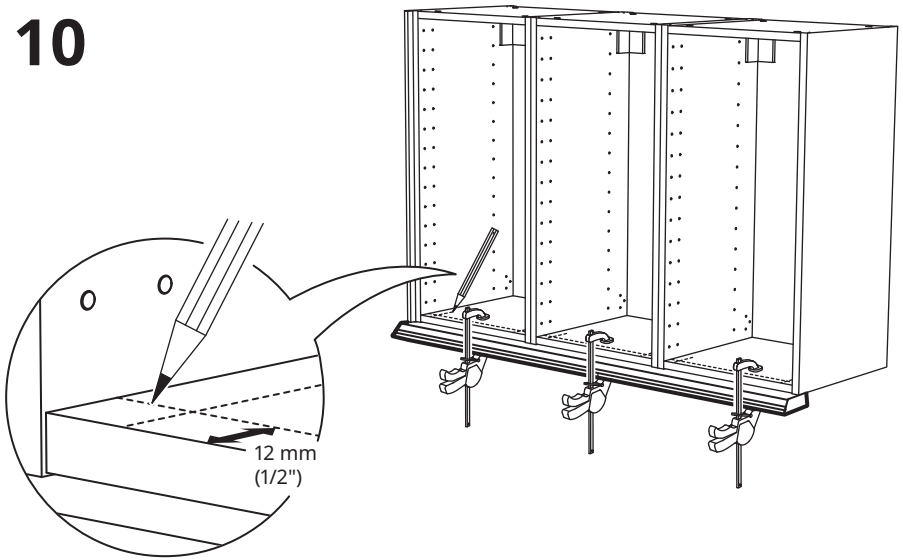
8



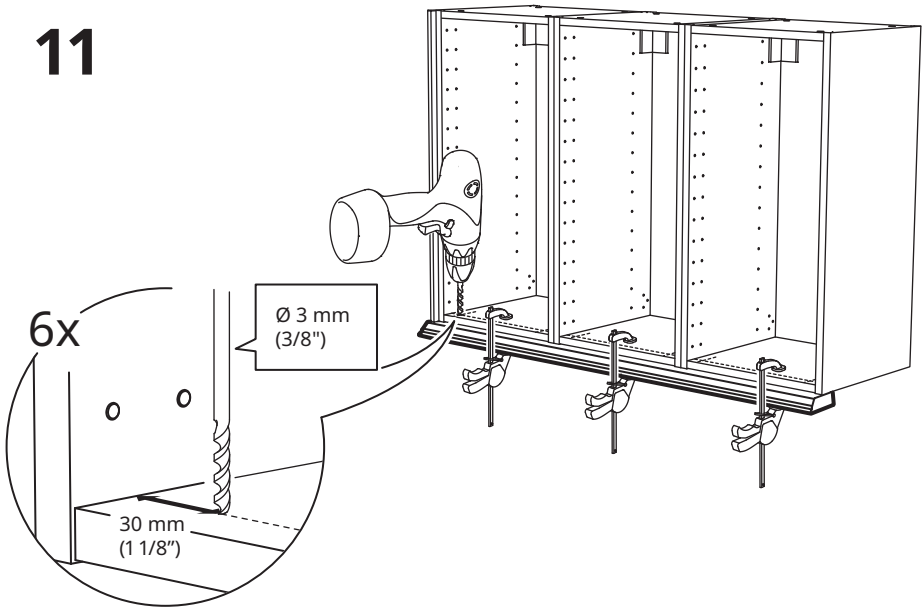
9



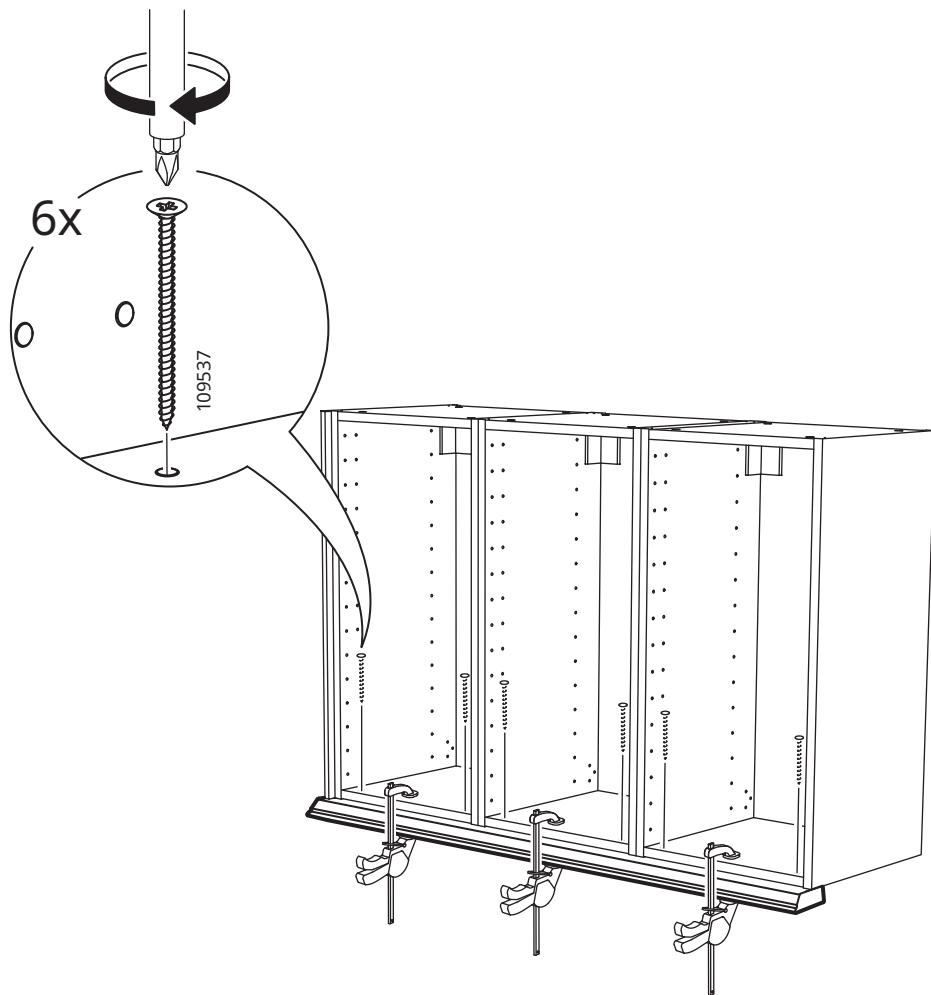
# 10

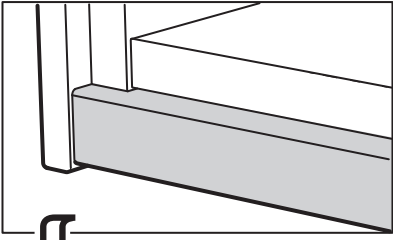


# 11

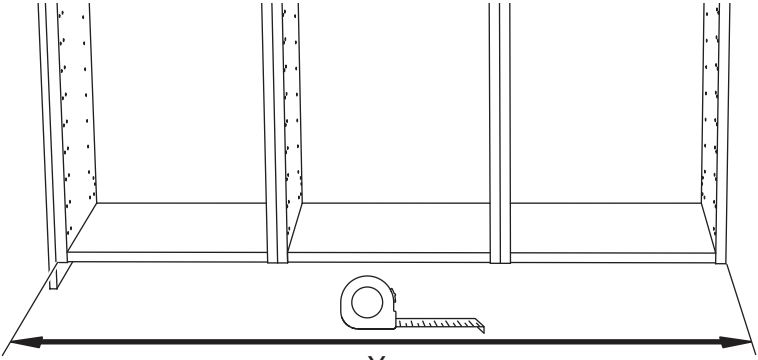


# 12



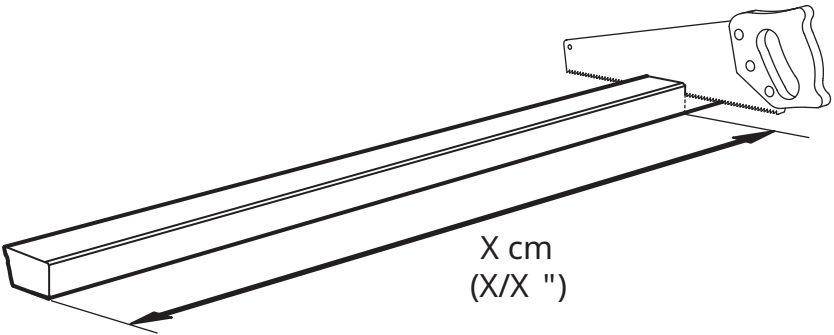


1



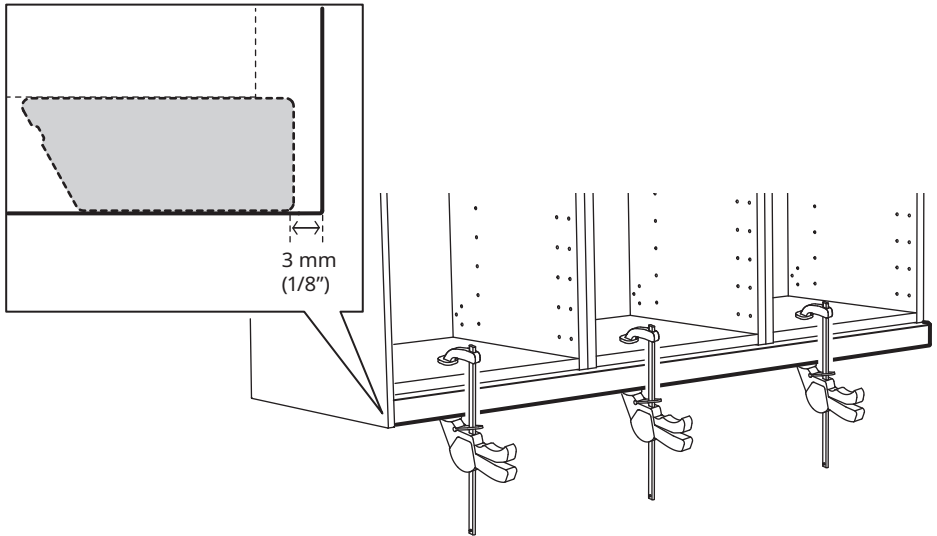
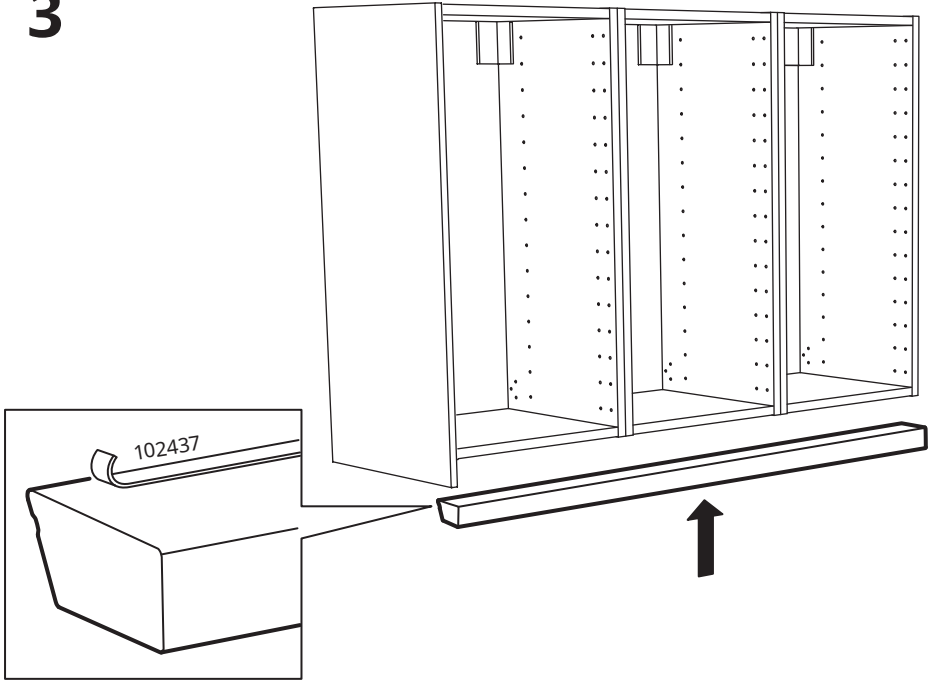
X cm  
(X/X ")

2

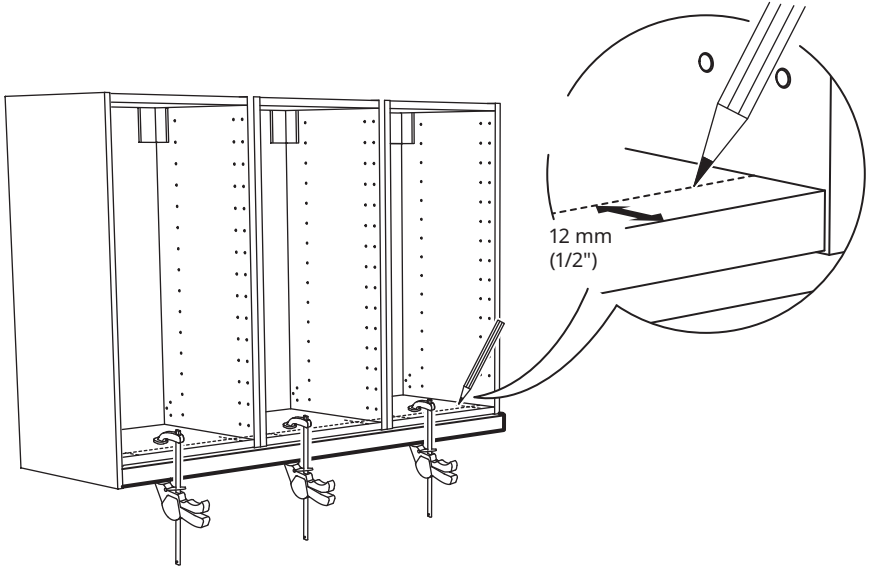


X cm  
(X/X ")

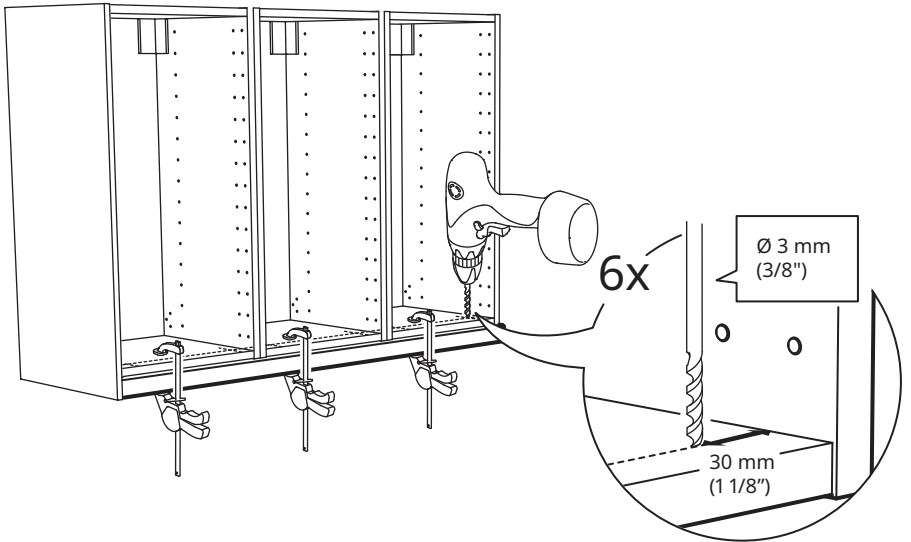
3



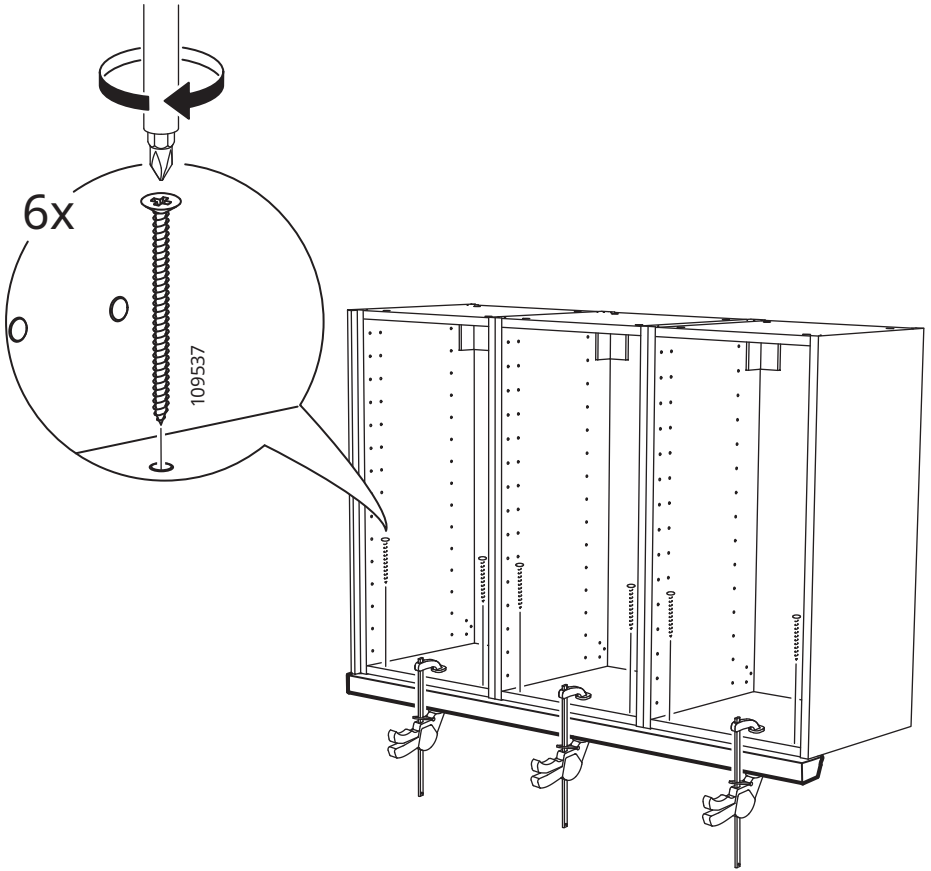
4



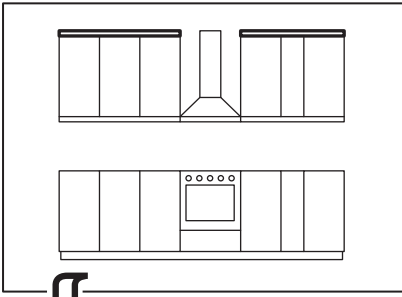
5



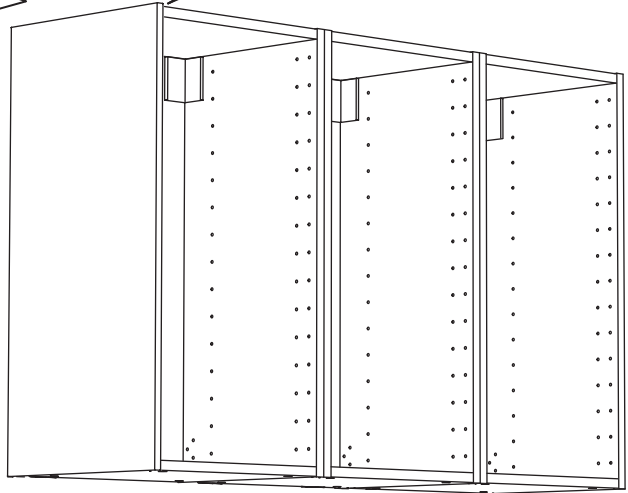
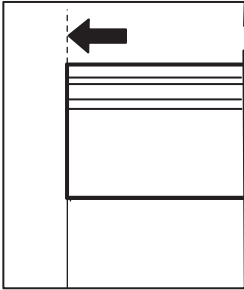
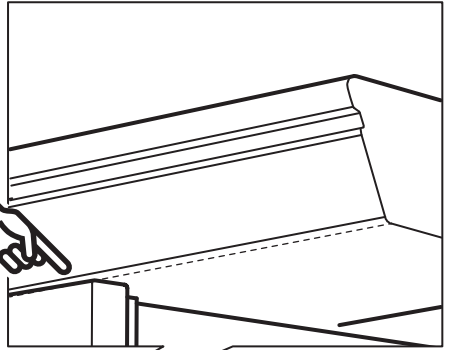
6



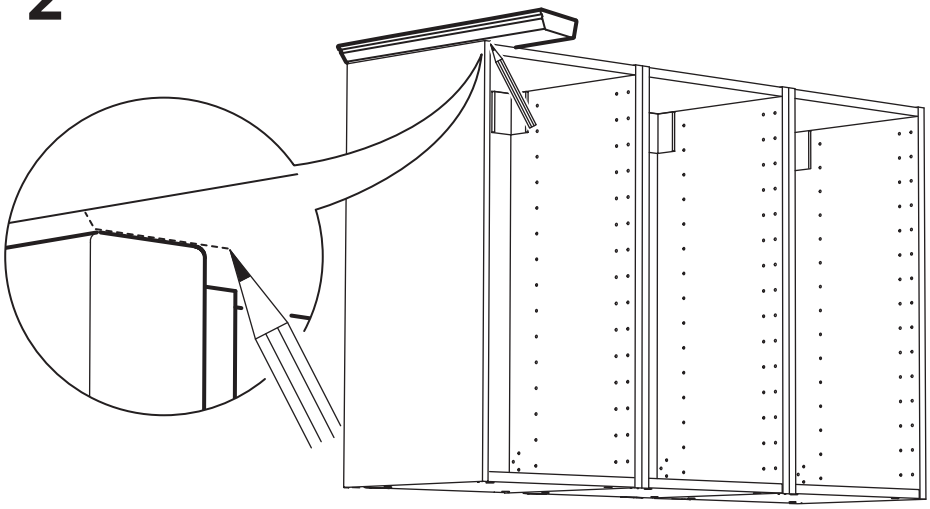




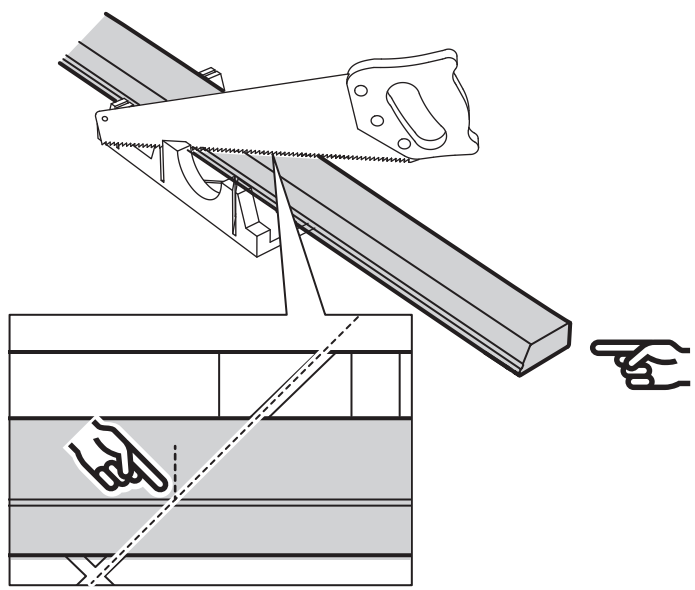
1



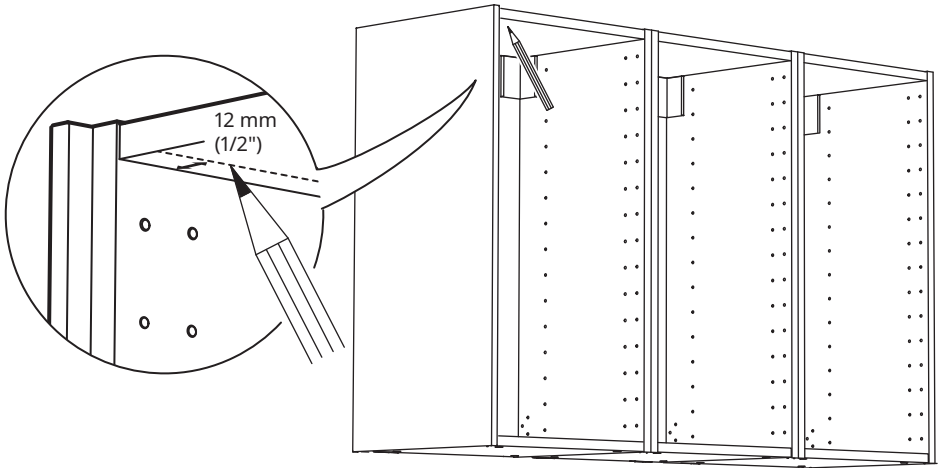
2



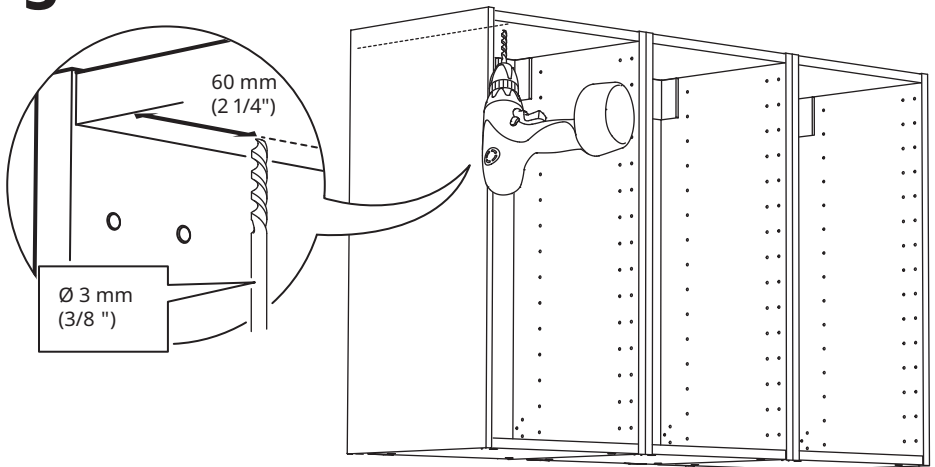
3



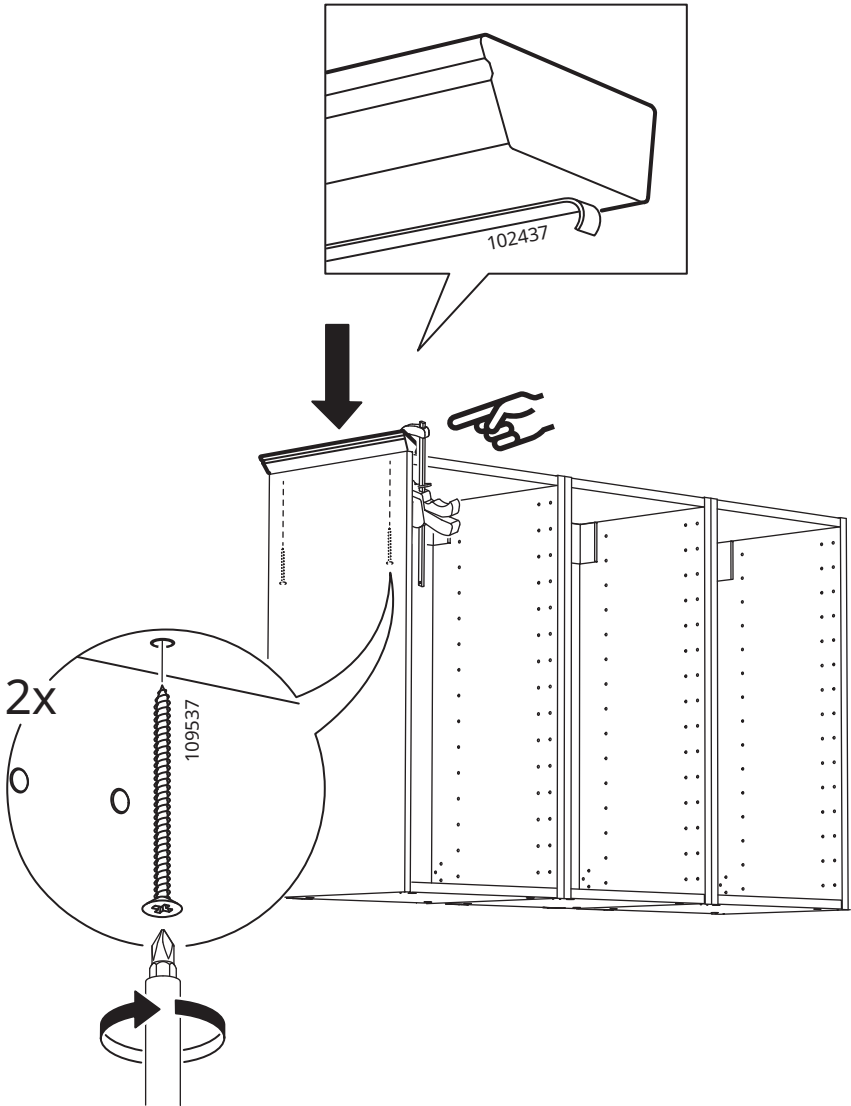
4



5

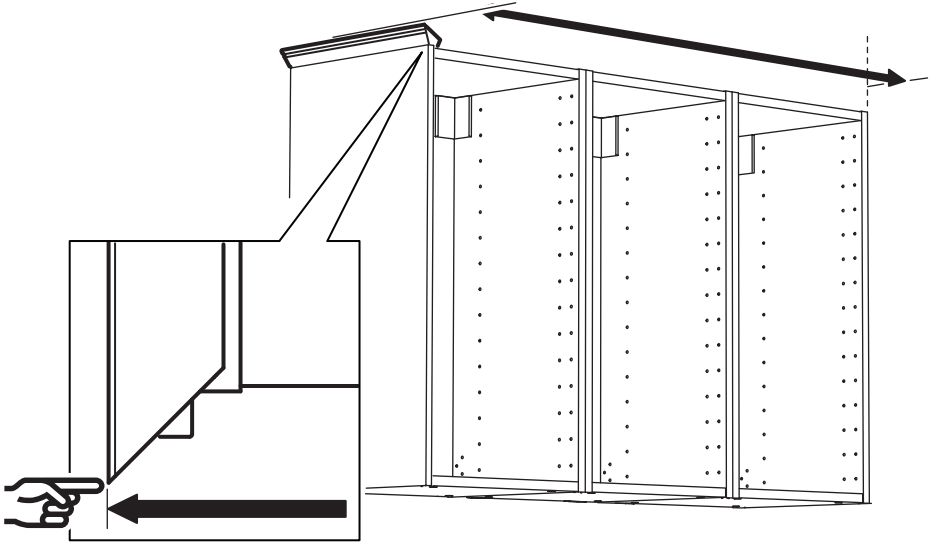
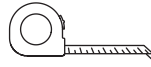


6

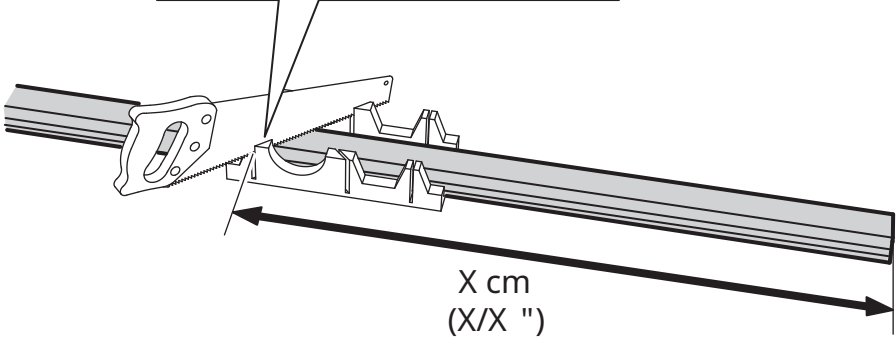
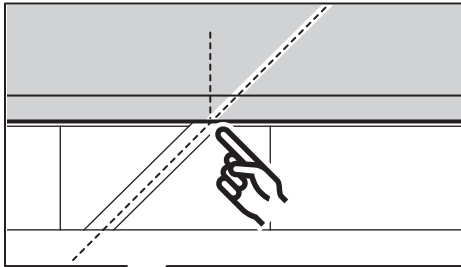


7

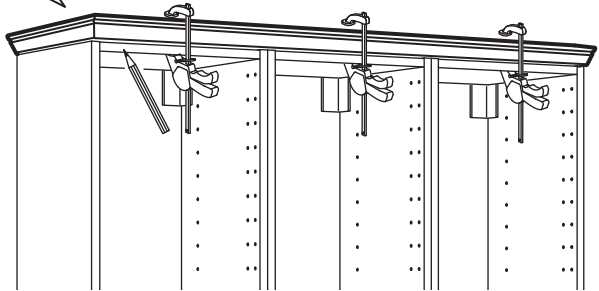
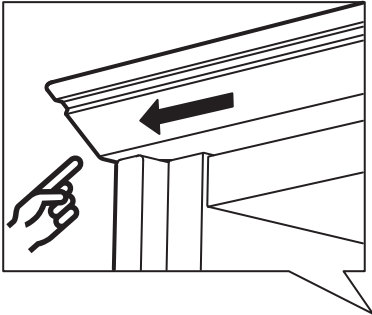
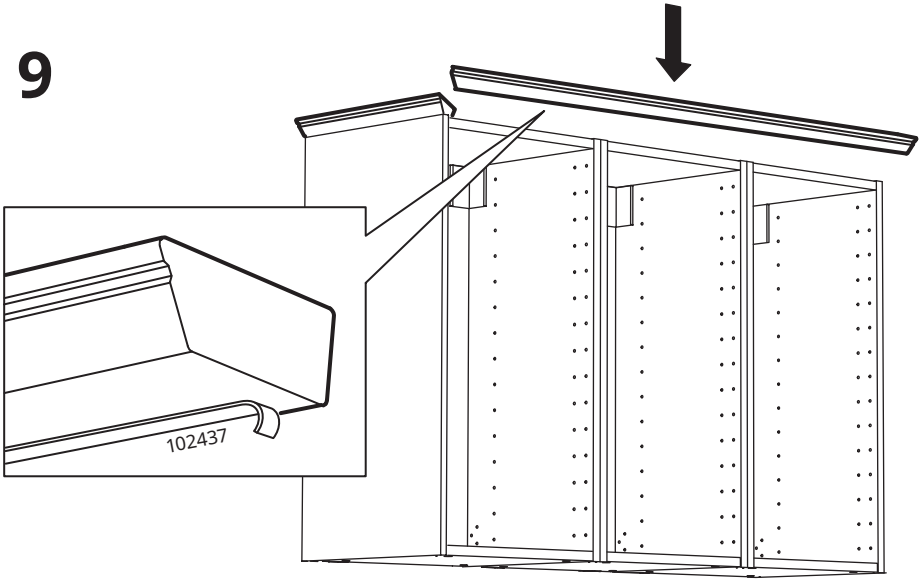
X cm  
(X / X")



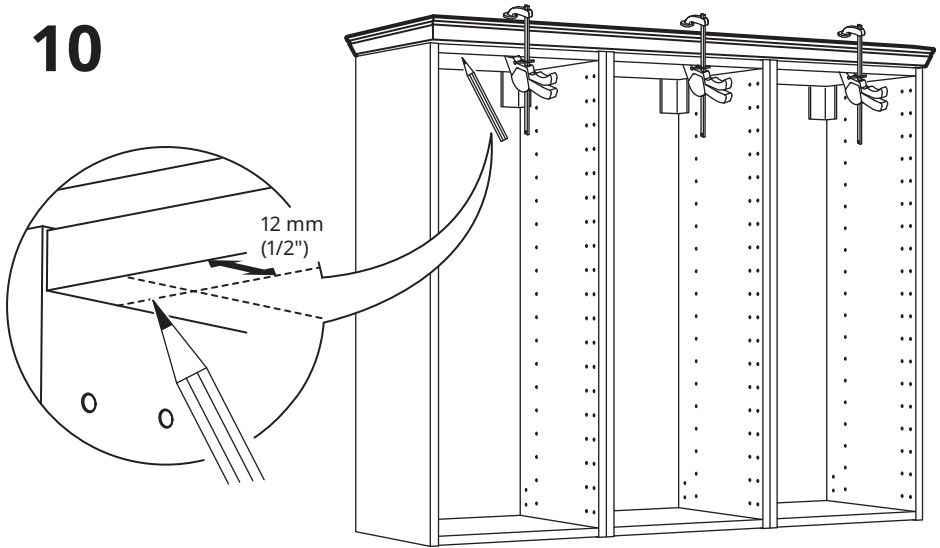
8



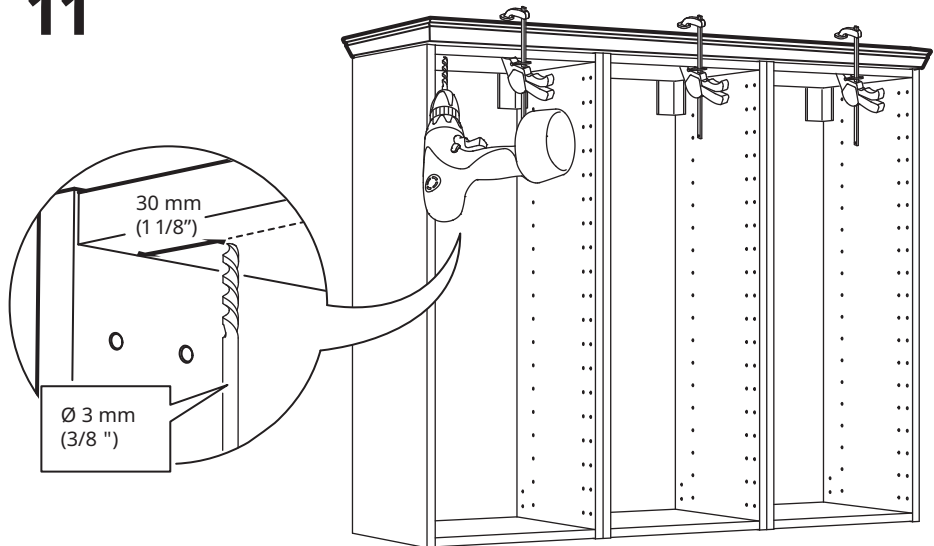
9



# 10



# 11



# 12

