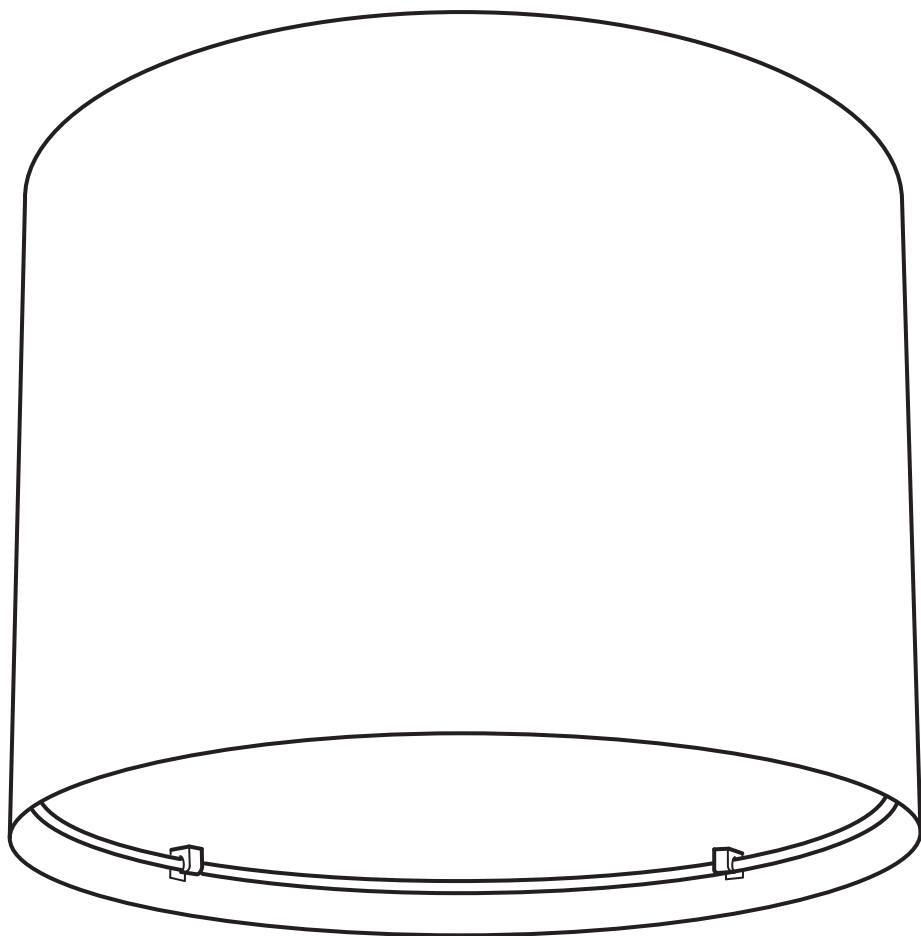
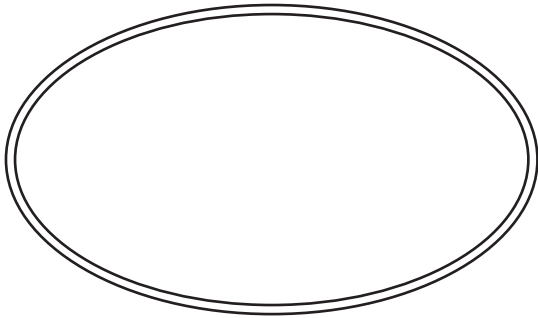
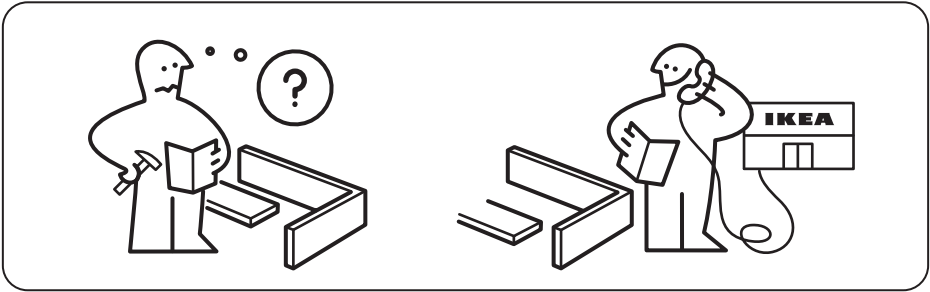


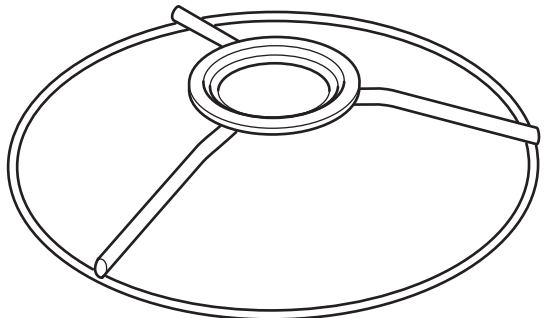
# RINGSTA



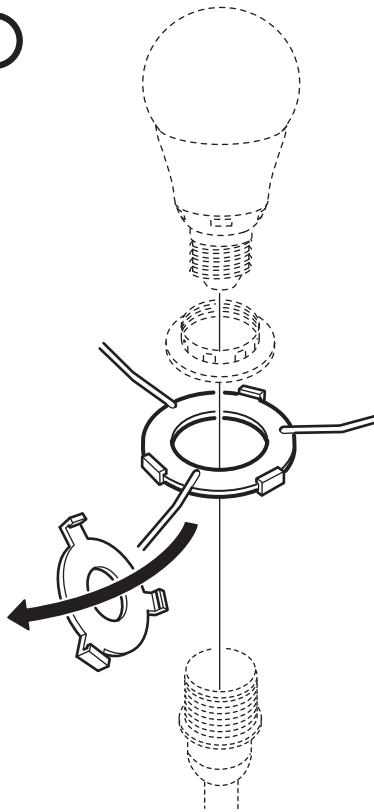
Design and Quality  
IKEA of Sweden



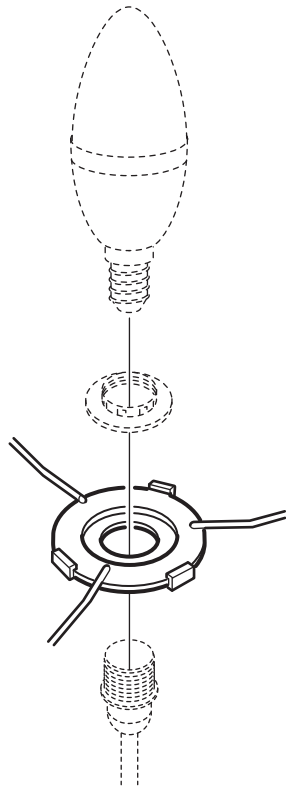
1x



1x

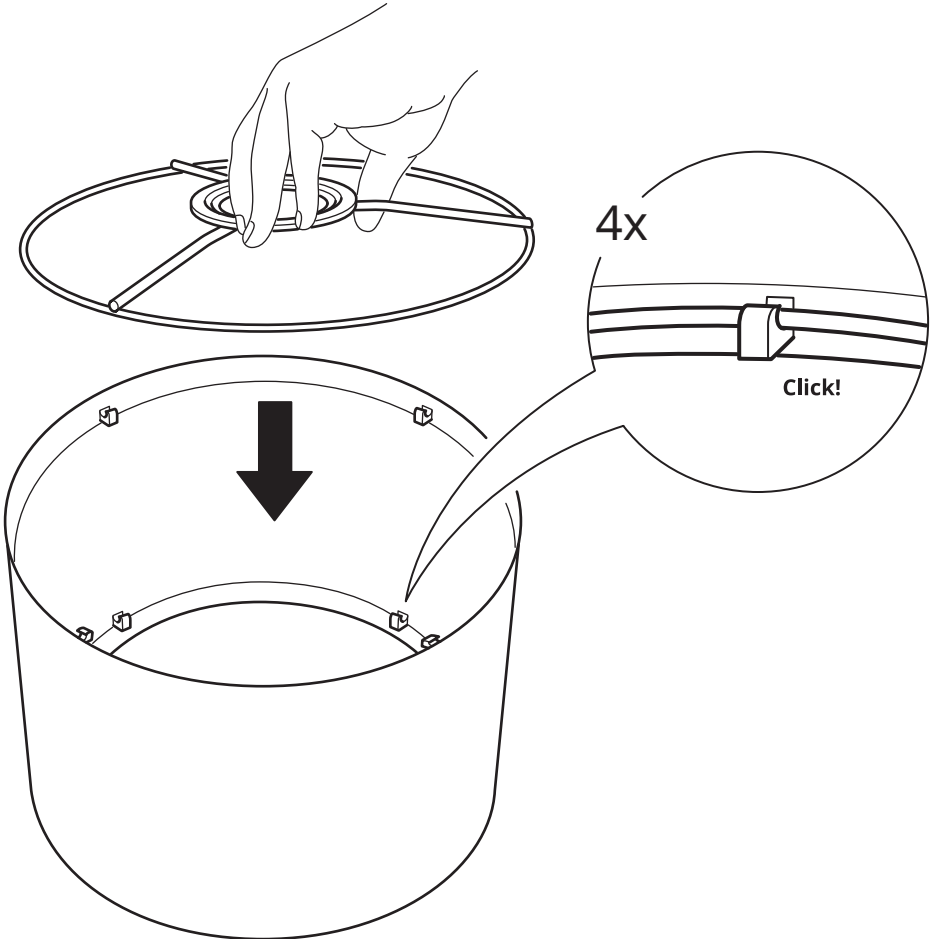
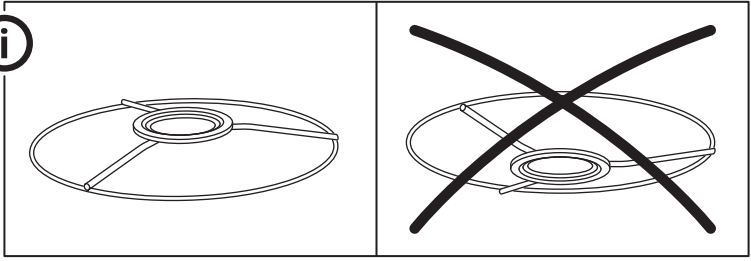


E26/E27

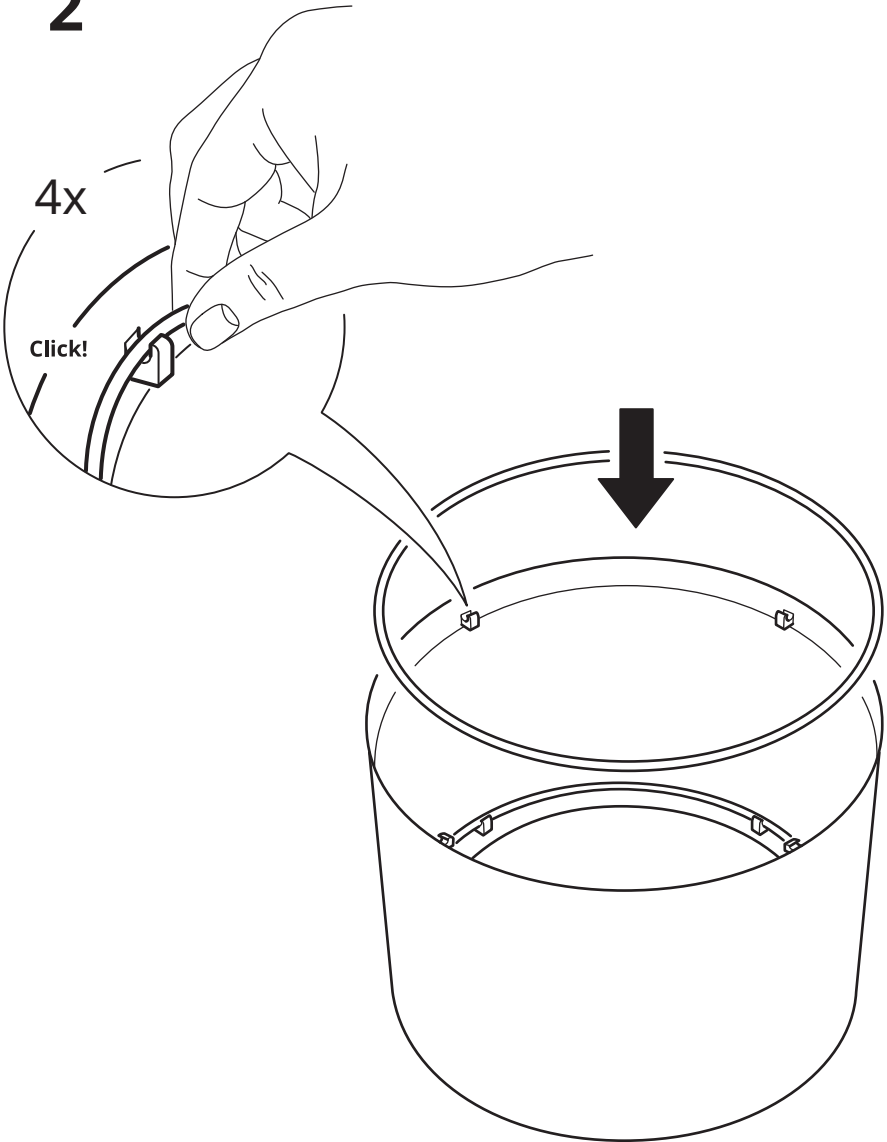


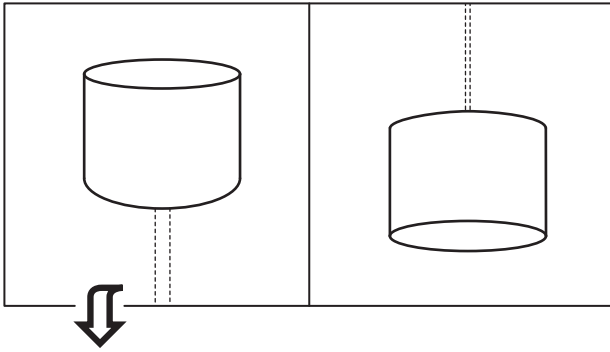
E12/E14

1

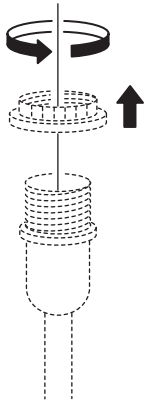


2

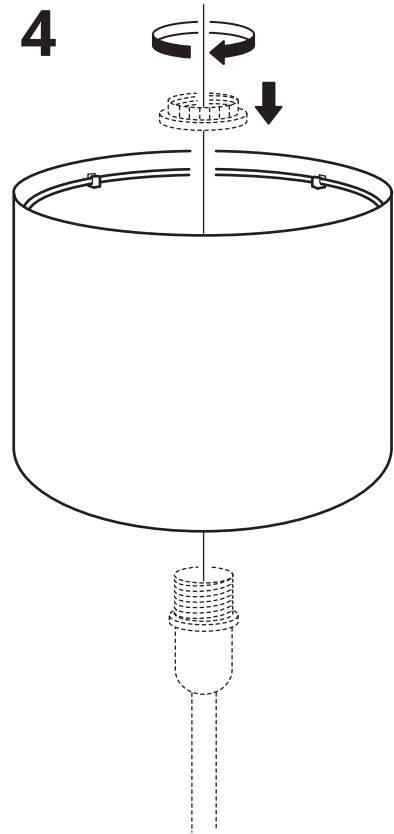


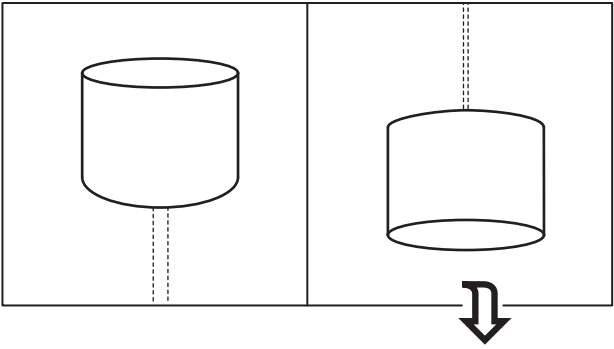


**3**

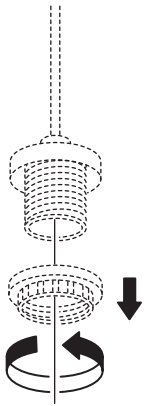


**4**





**3**



**4**

