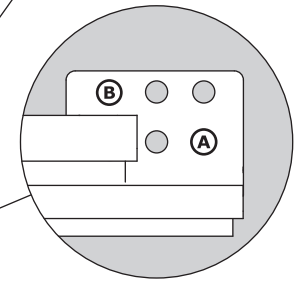
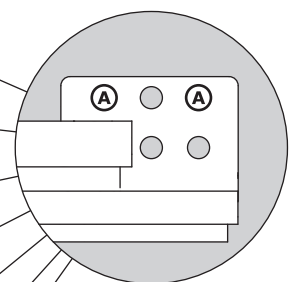
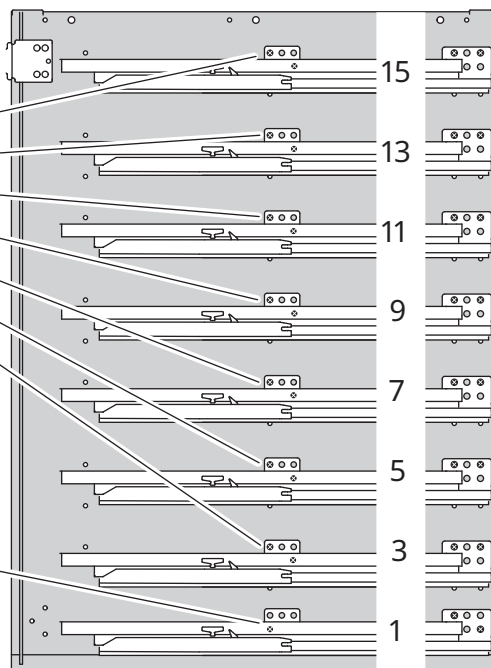
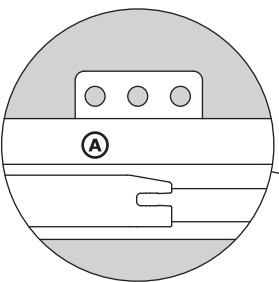
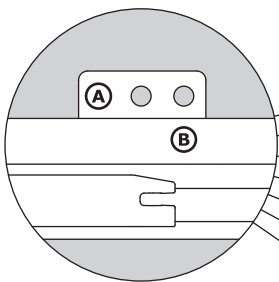
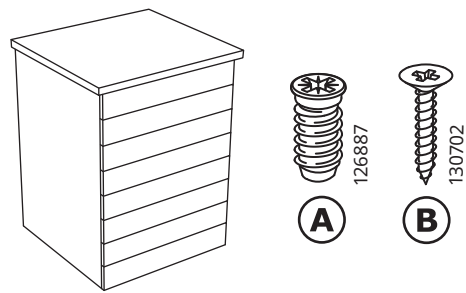
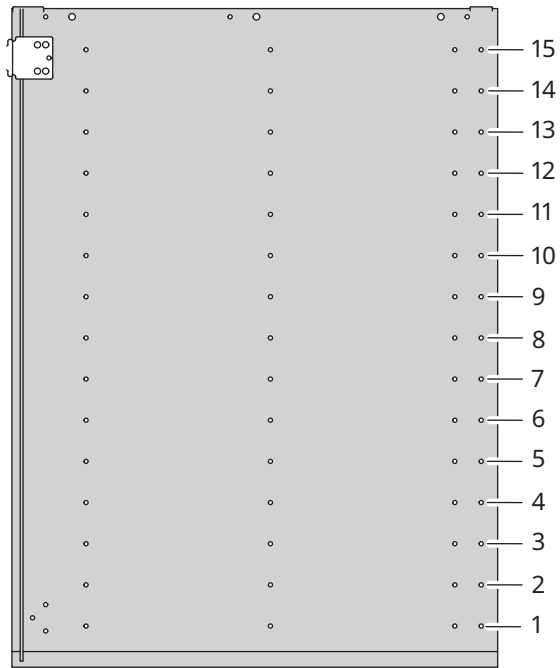
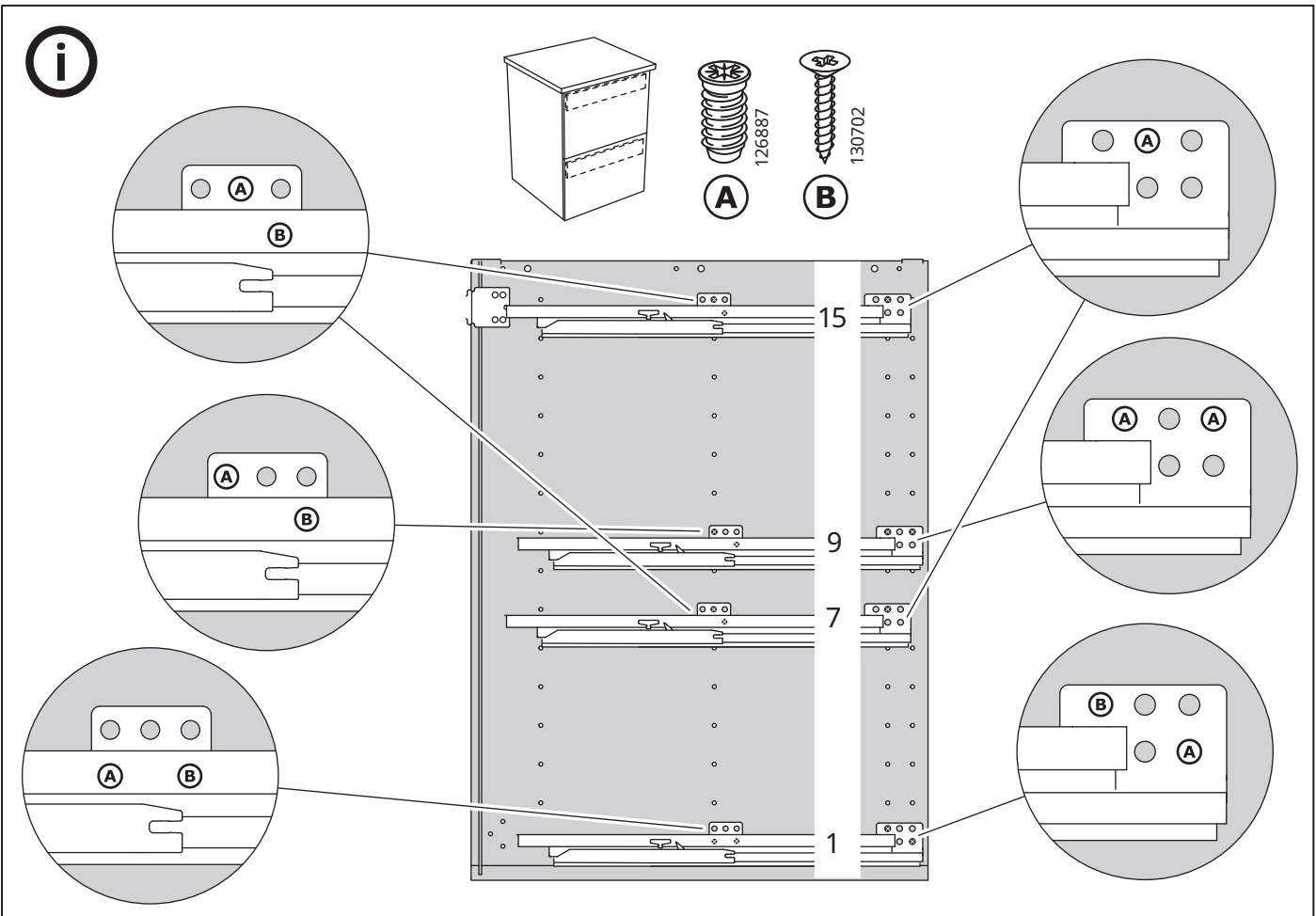
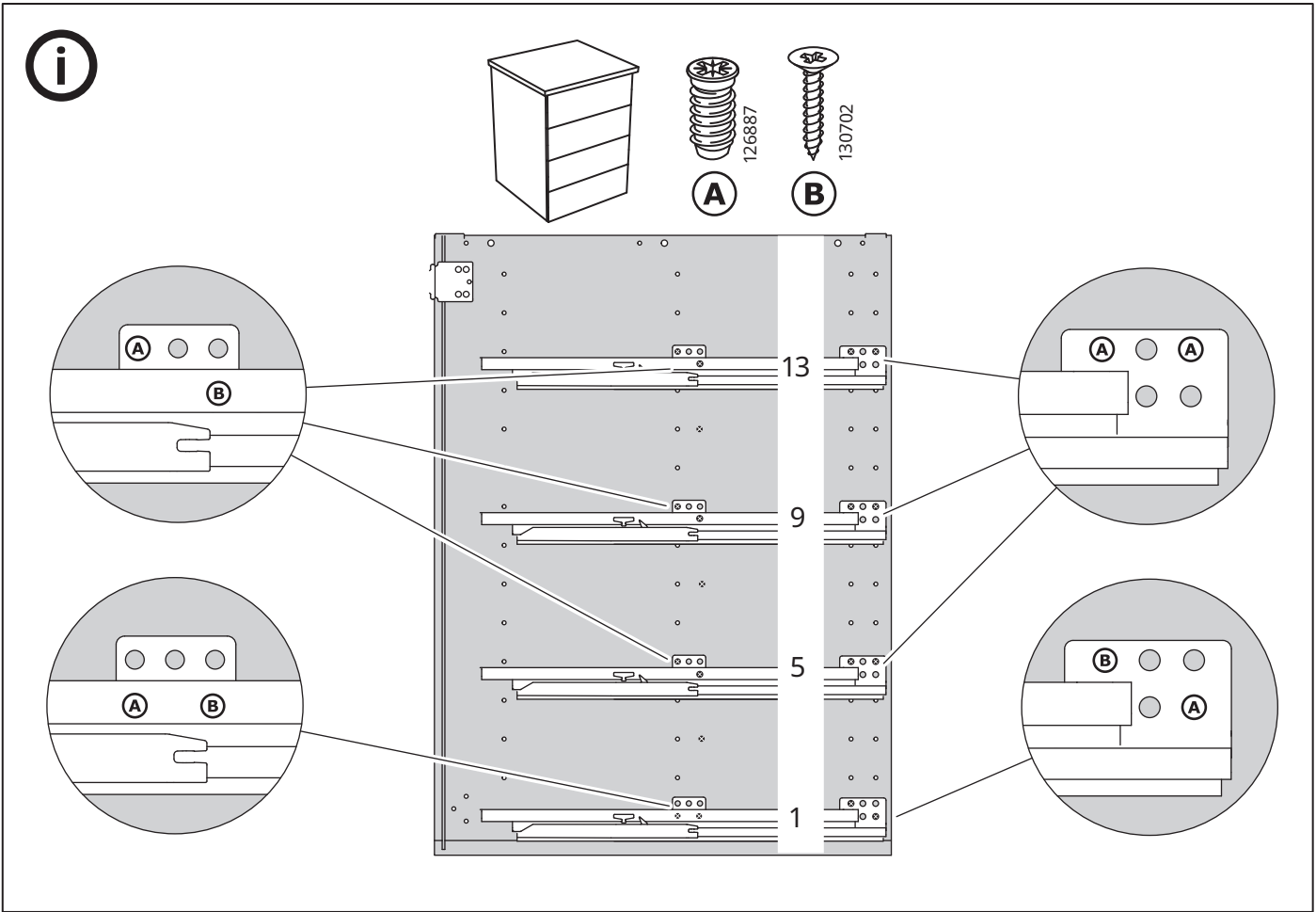


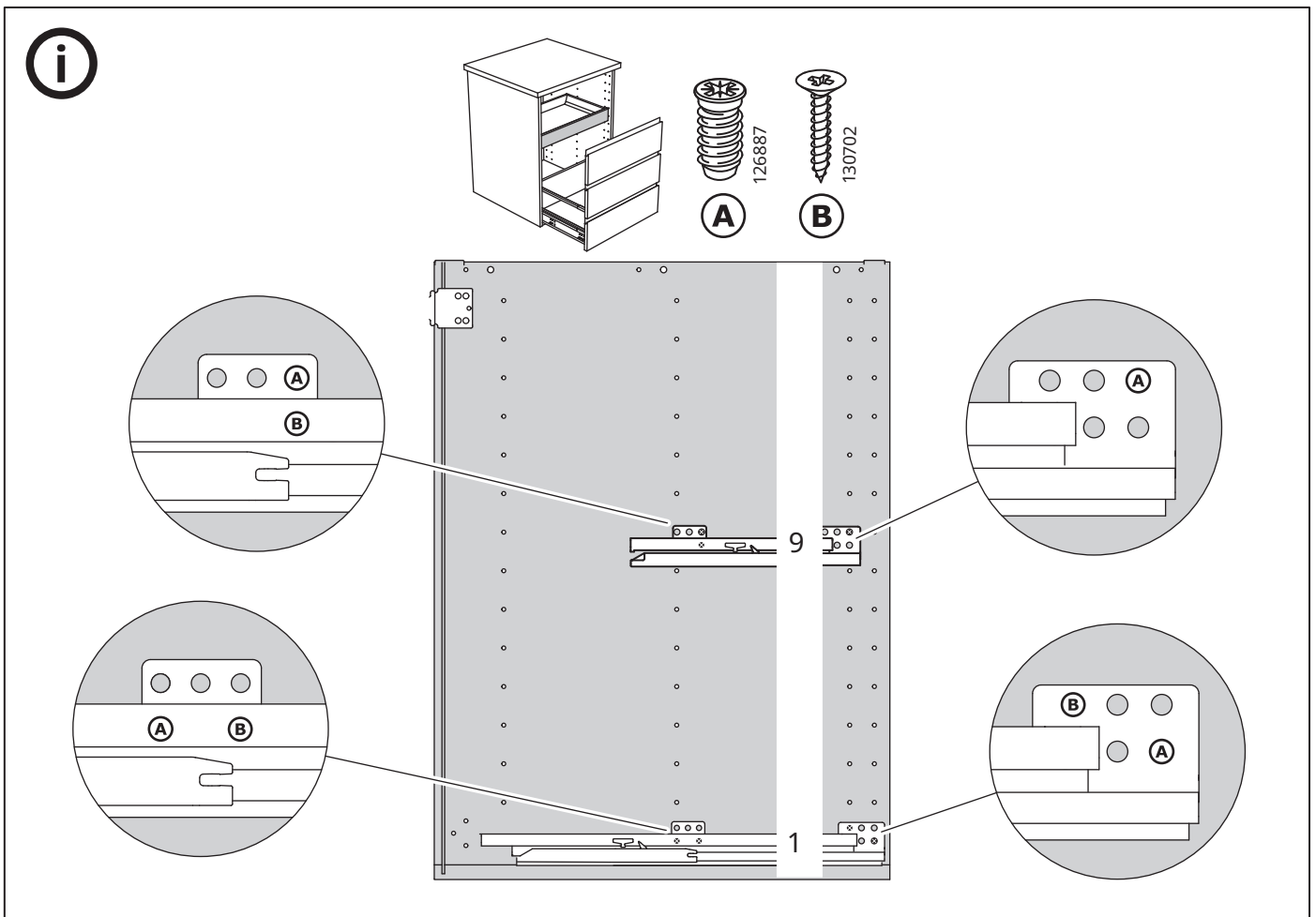
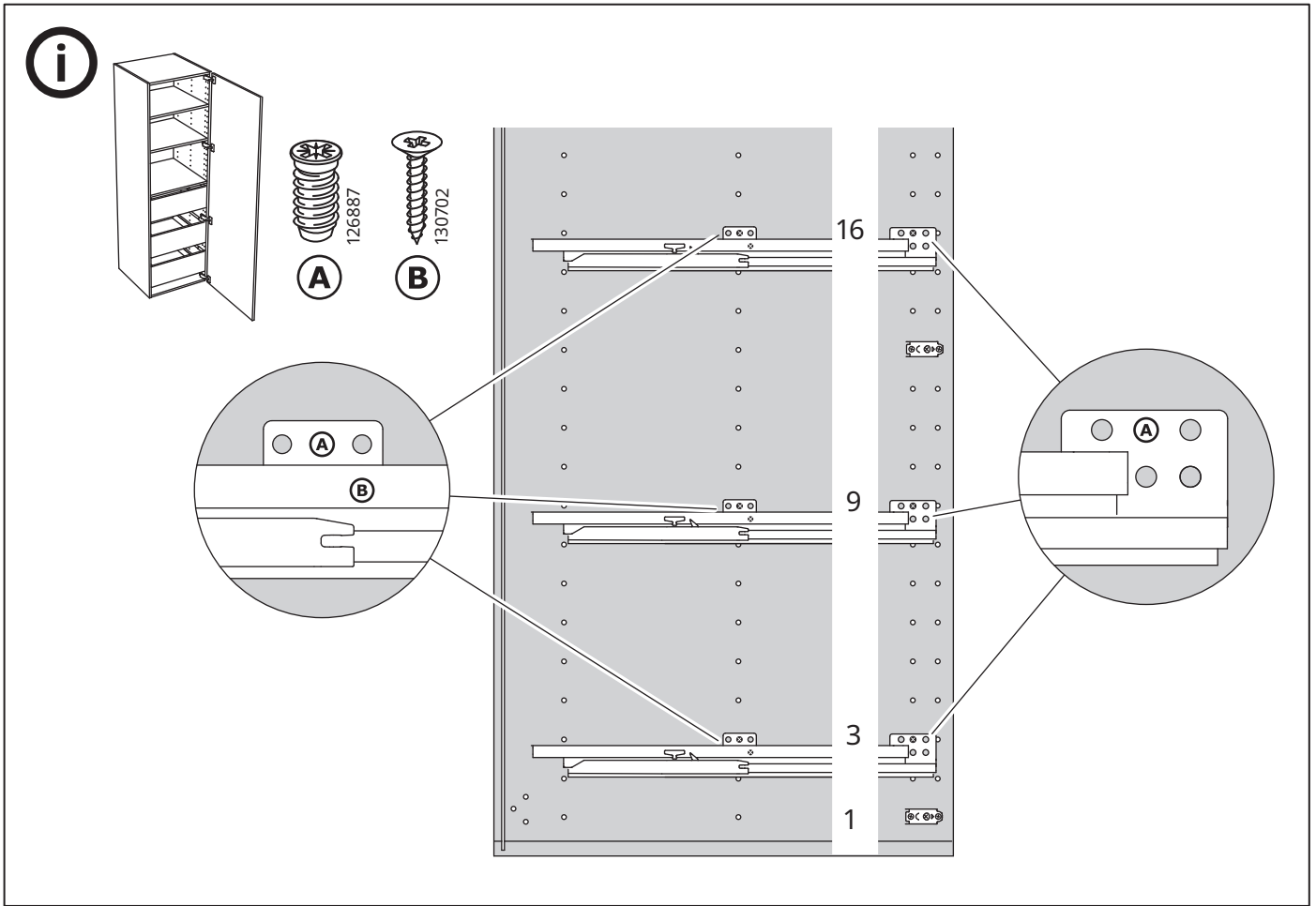
MAXIMERA



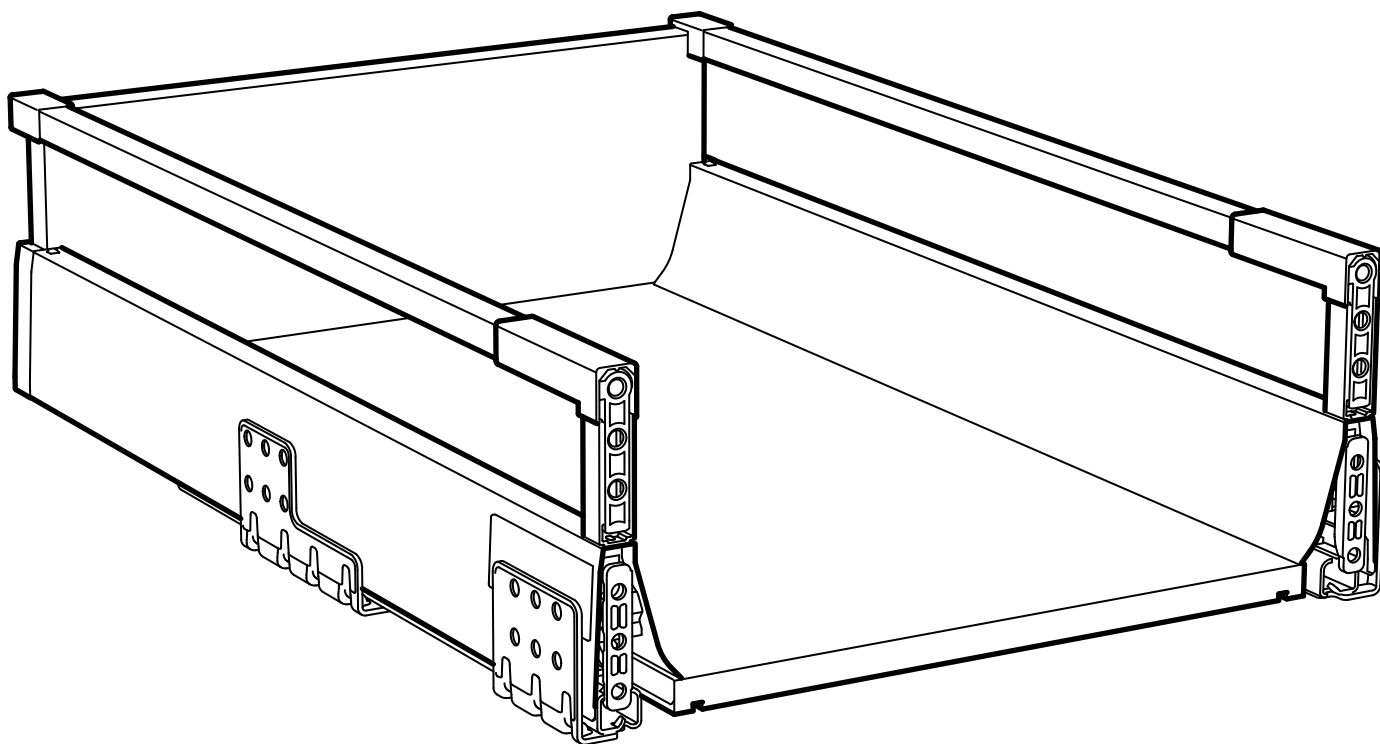
Design and Quality
IKEA of Sweden



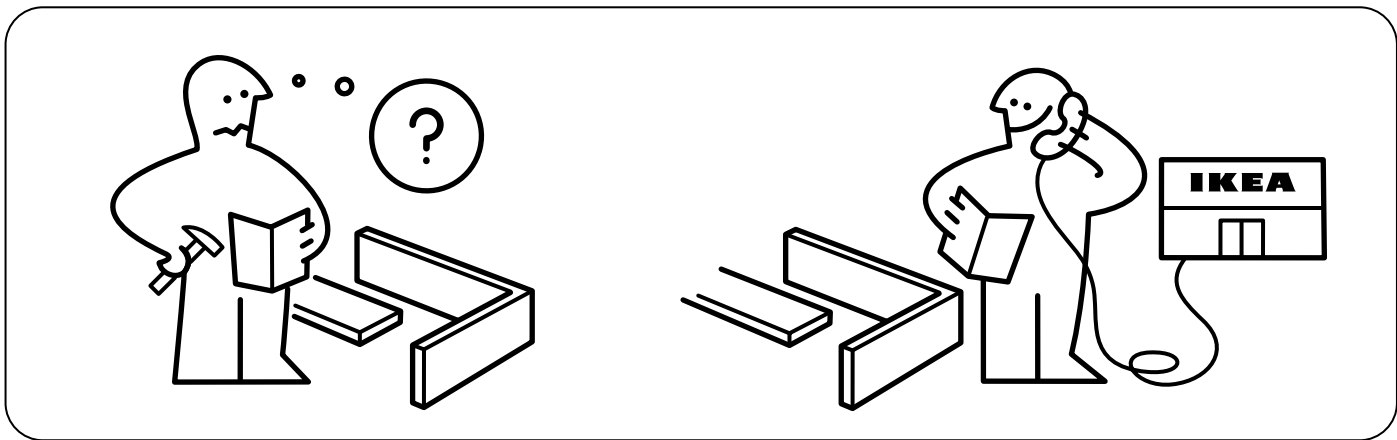
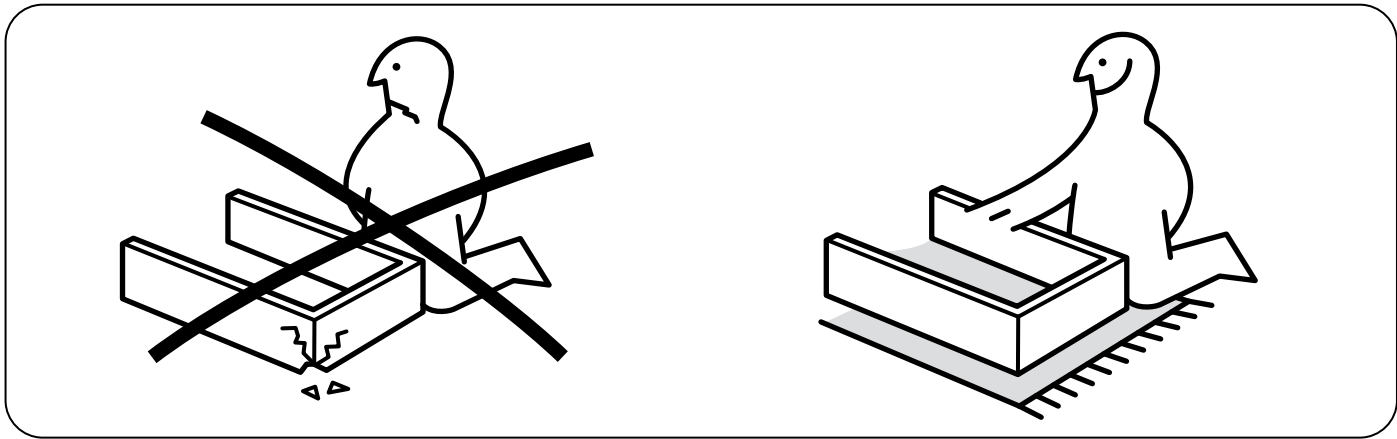
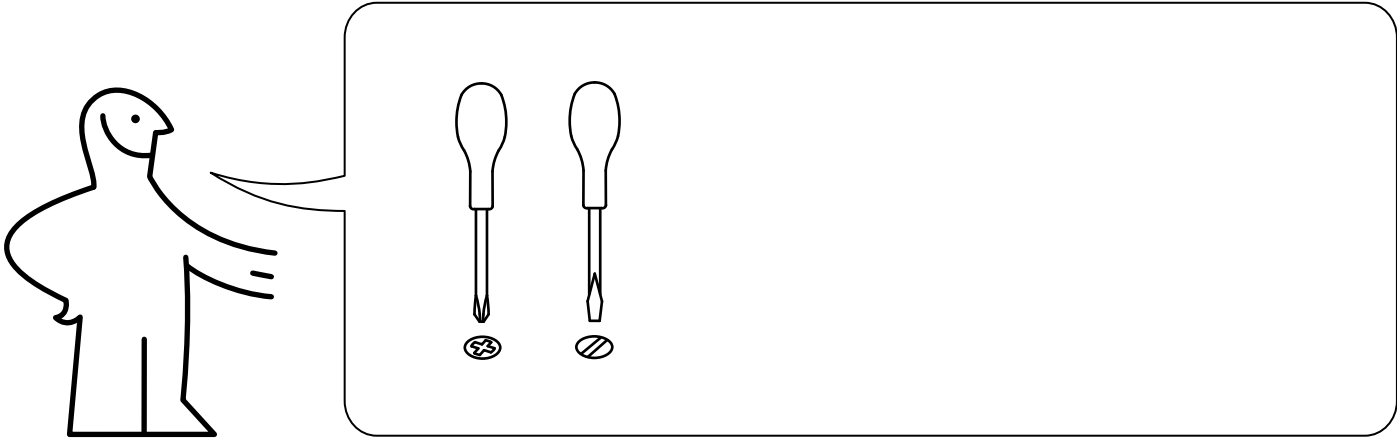


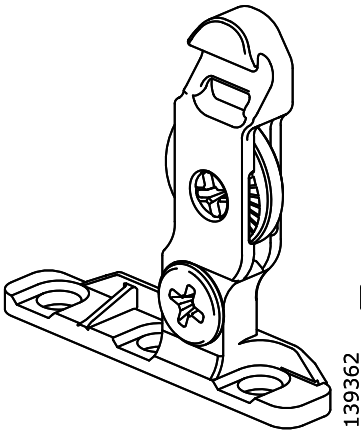


MAXIMERA

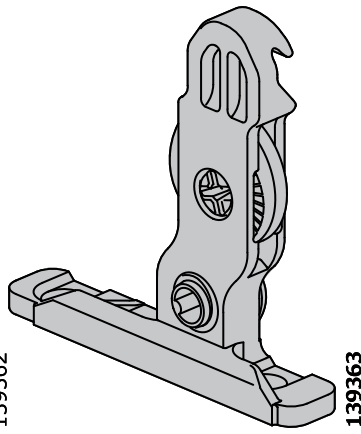


Design and Quality
IKEA of Sweden

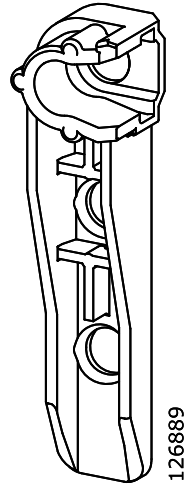




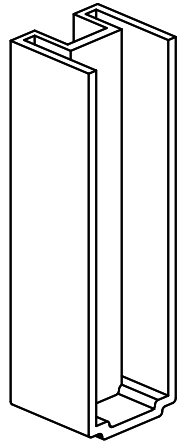
1x



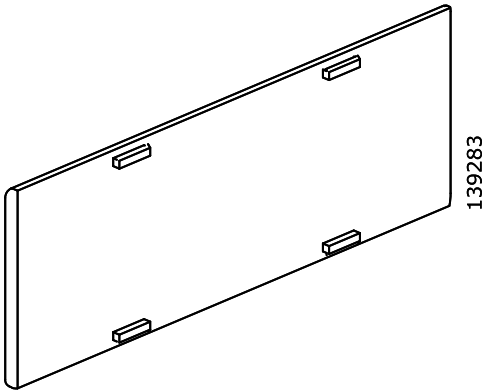
1x



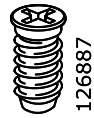
2x



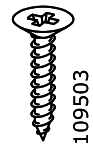
2x



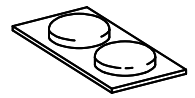
2x



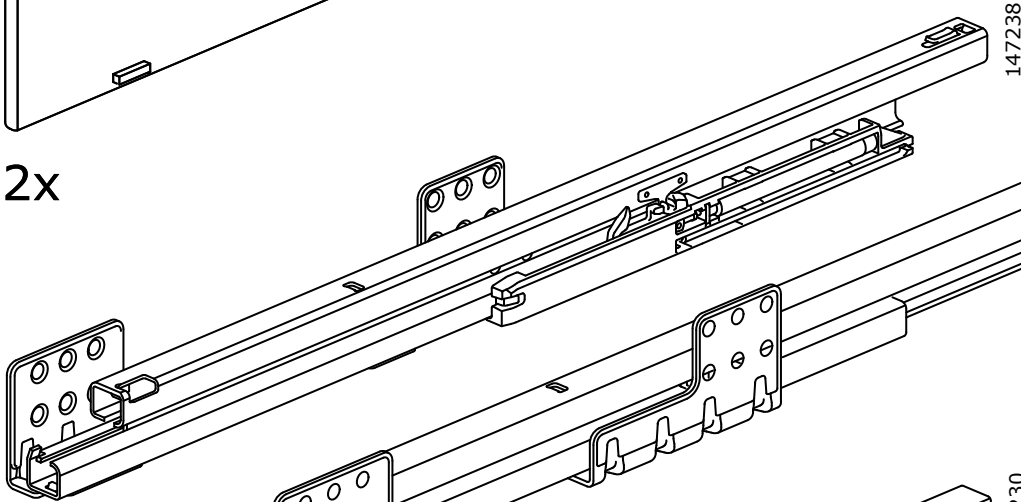
14x



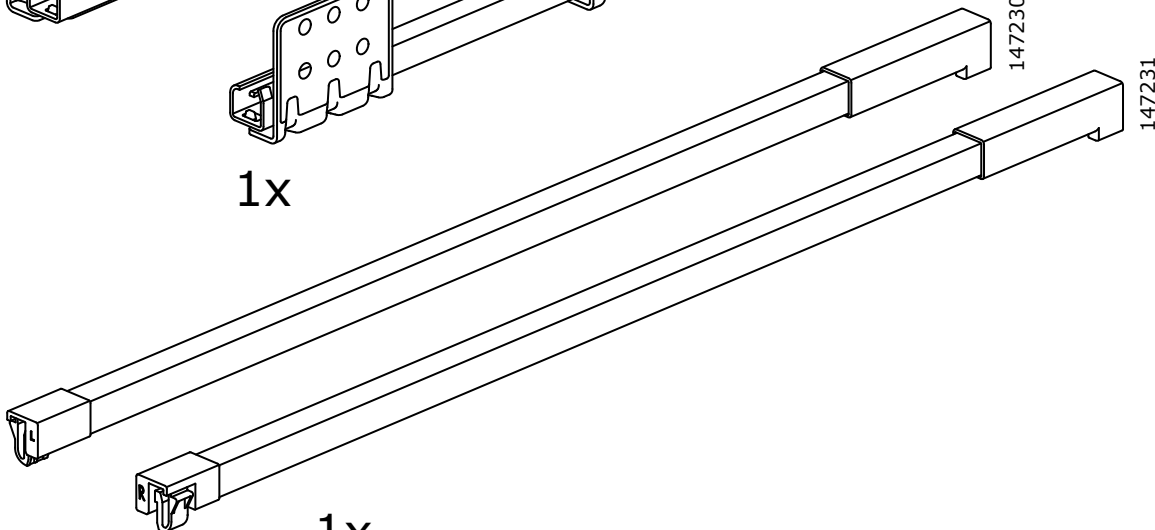
2x



2x

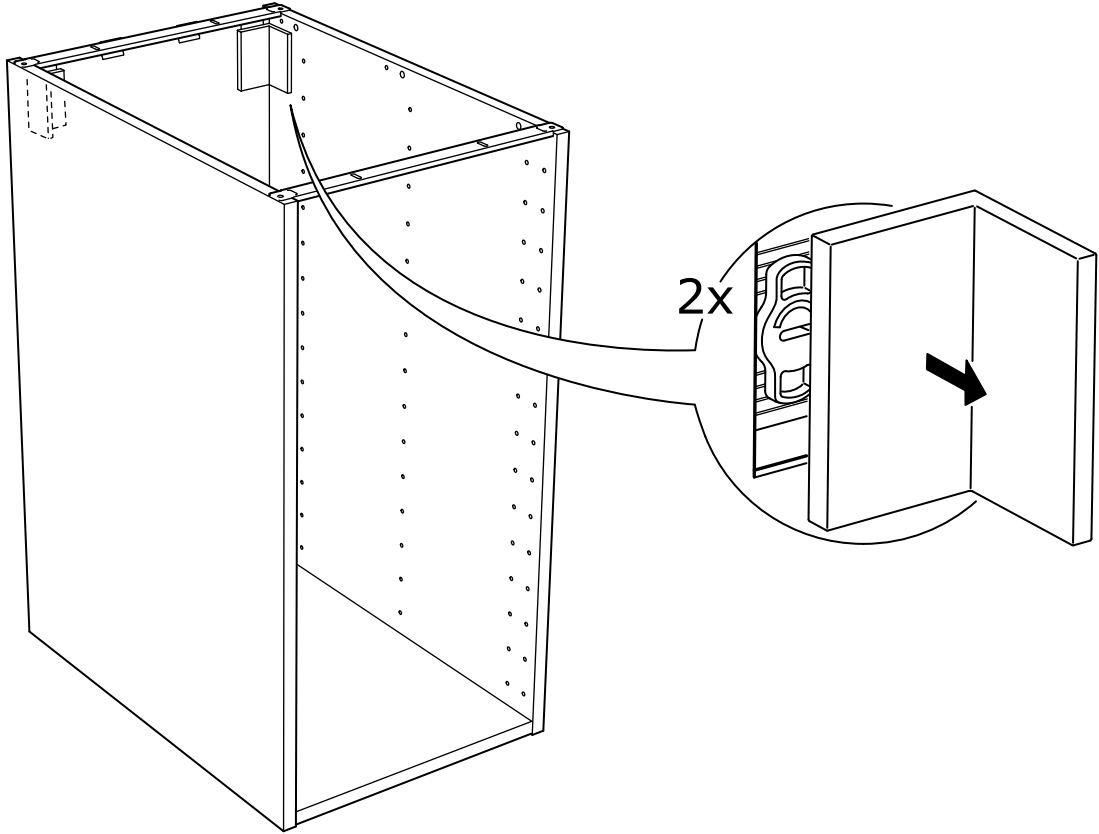


1x

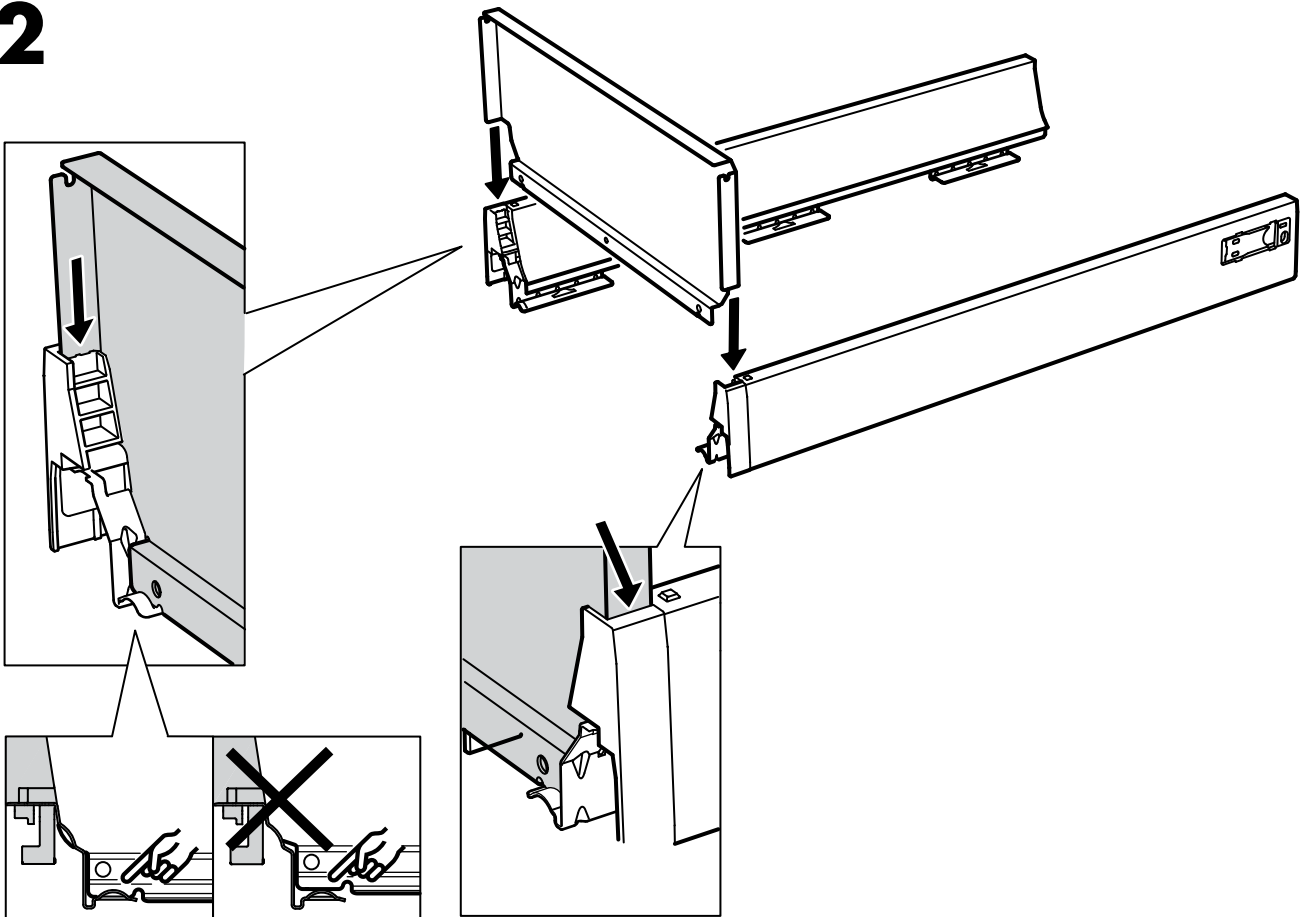


1x

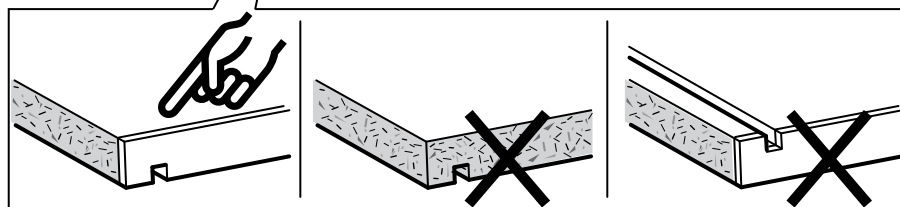
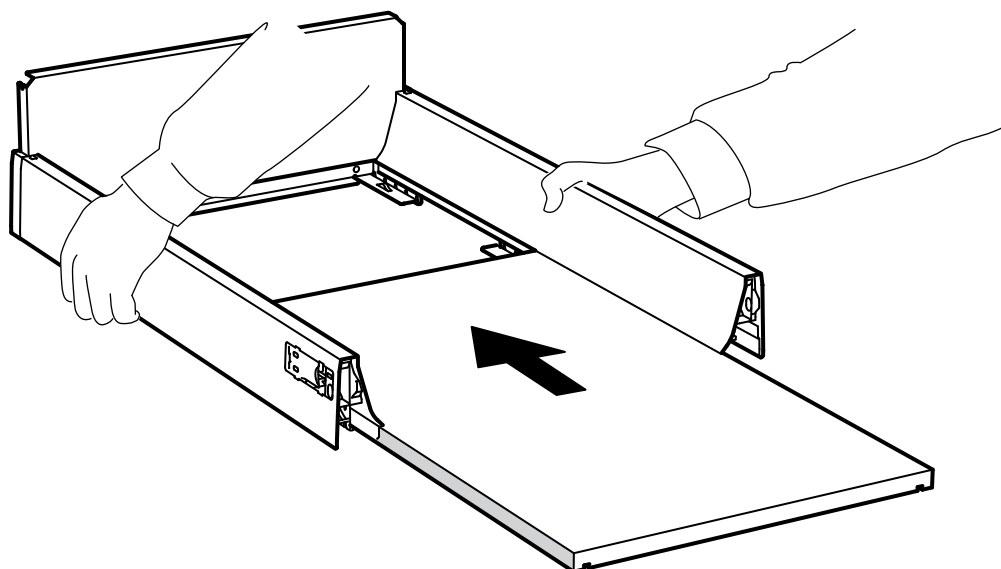
1

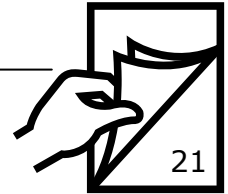
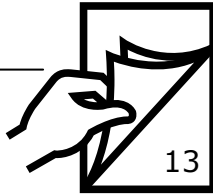
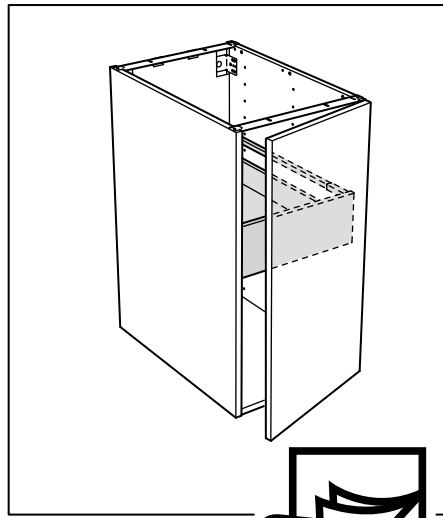
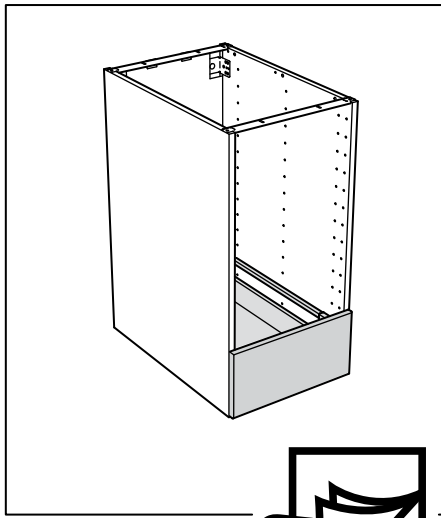
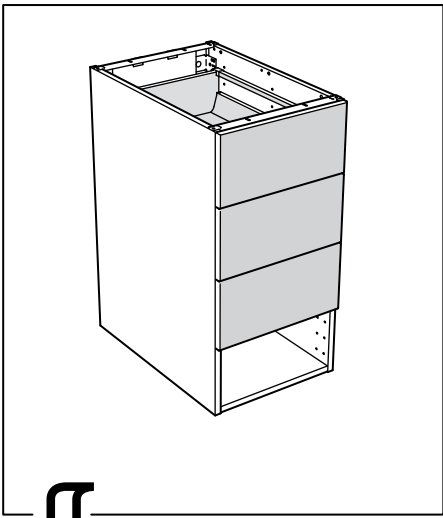


2

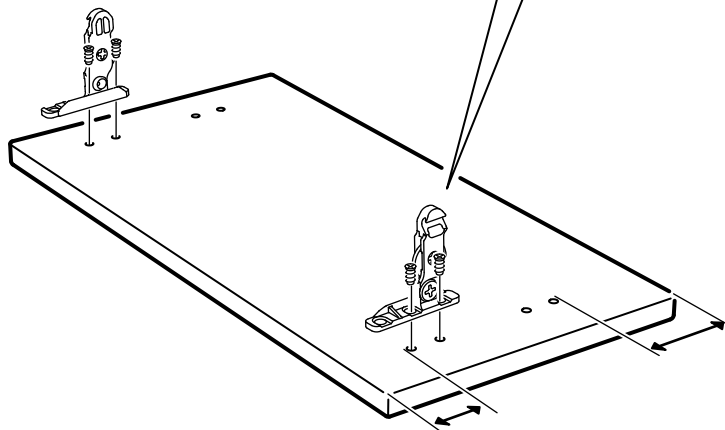
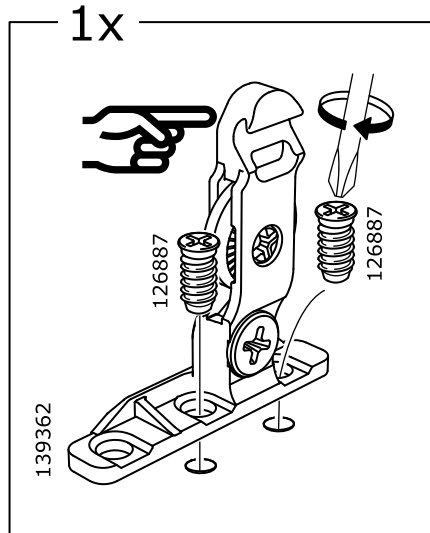
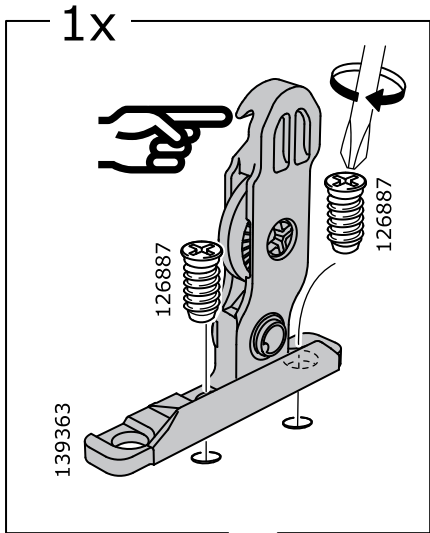


3

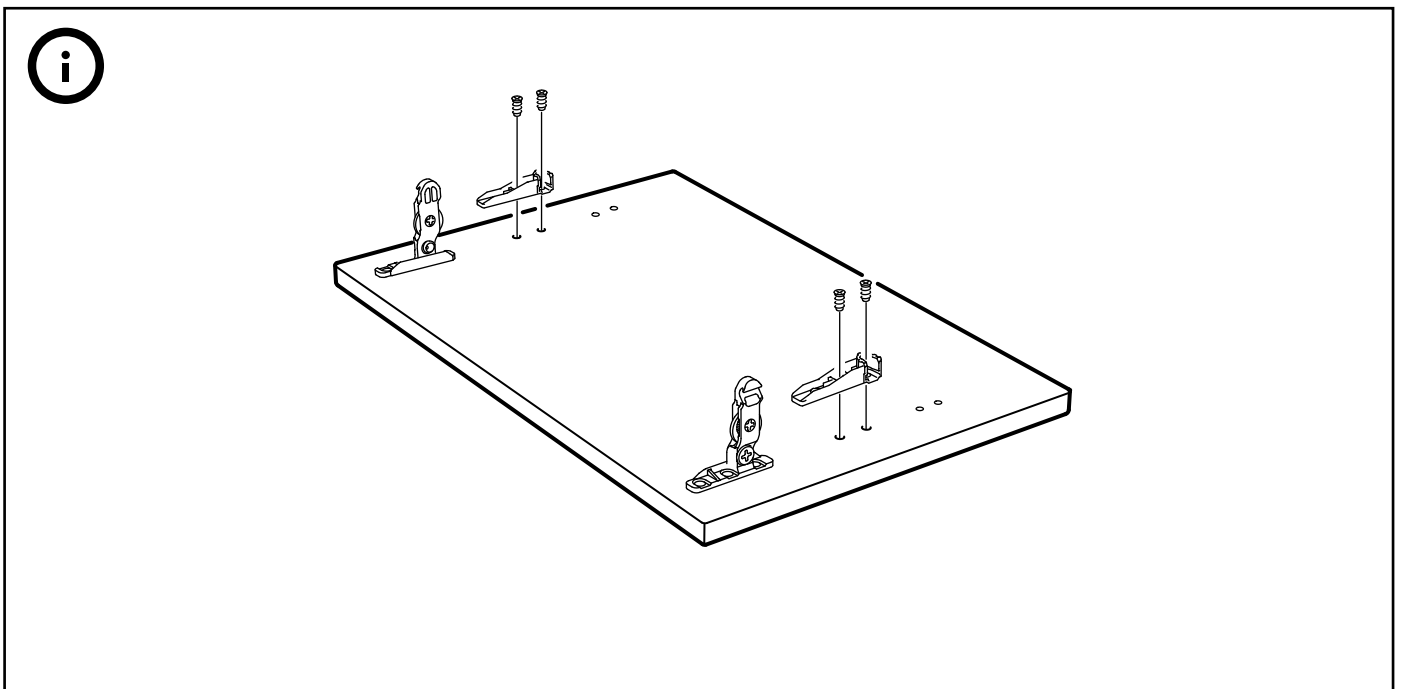
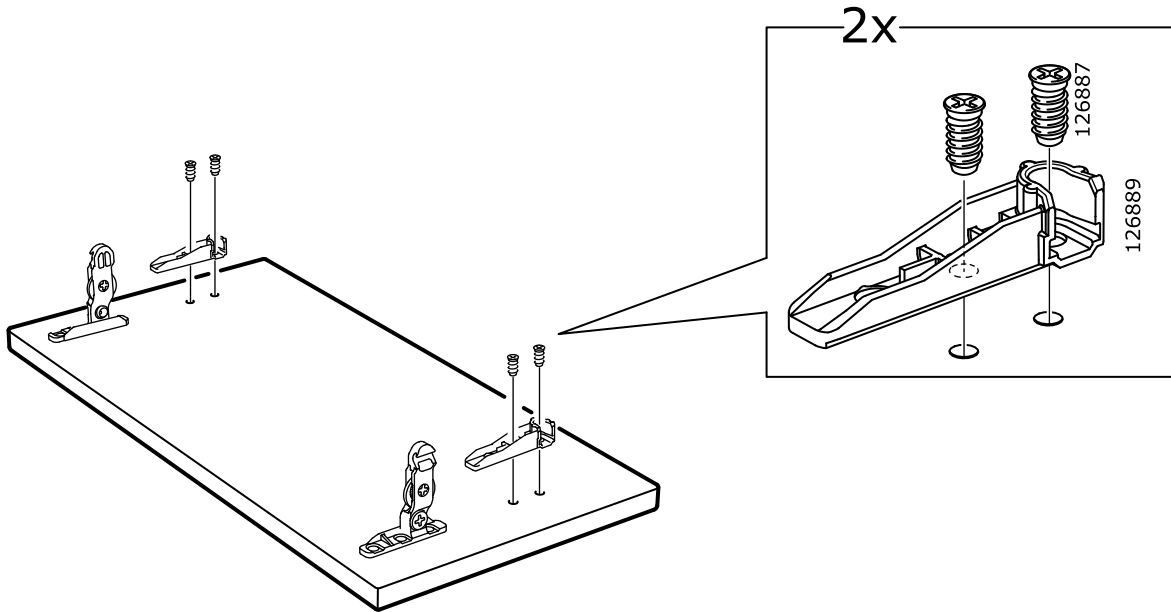




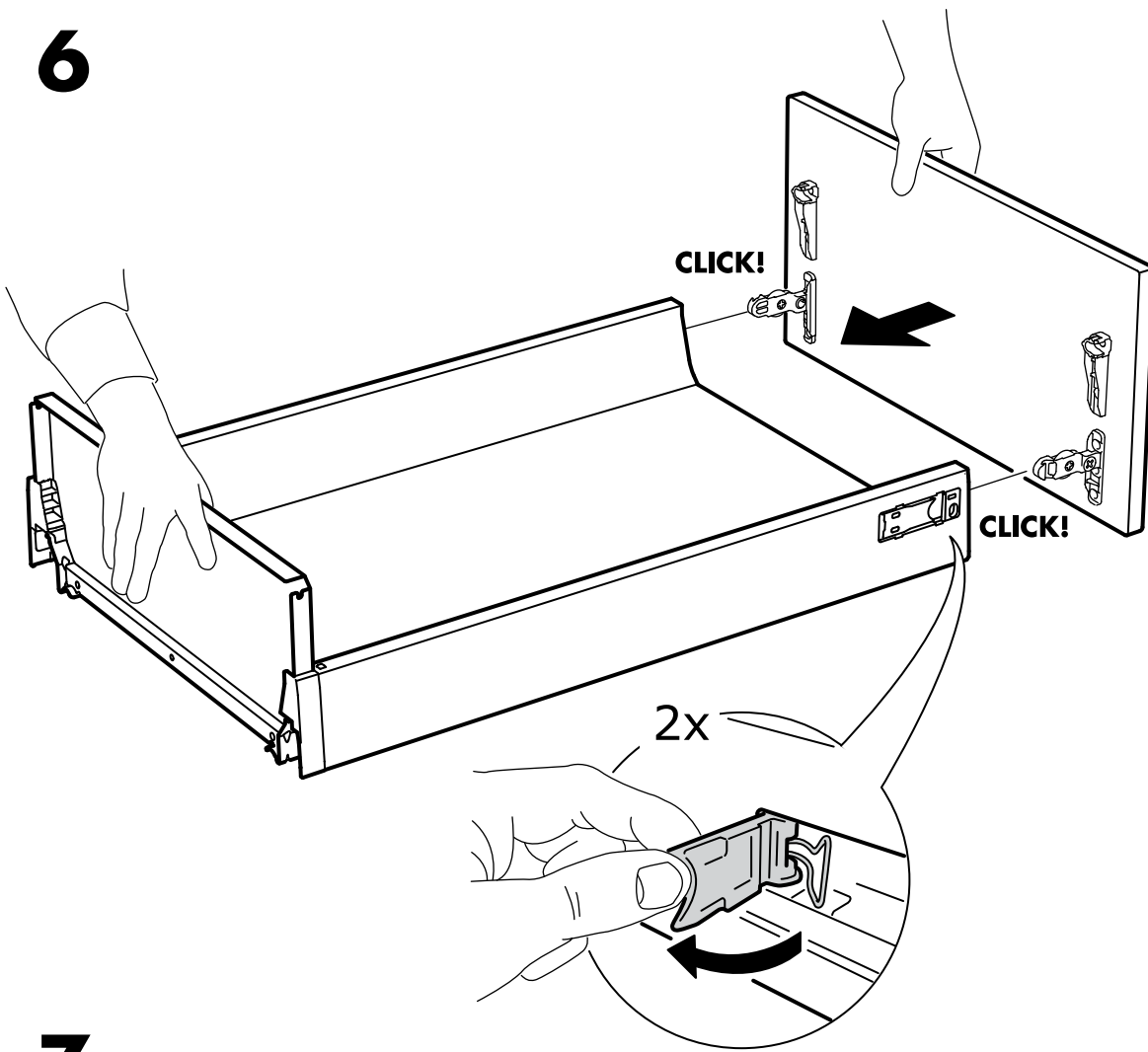
4



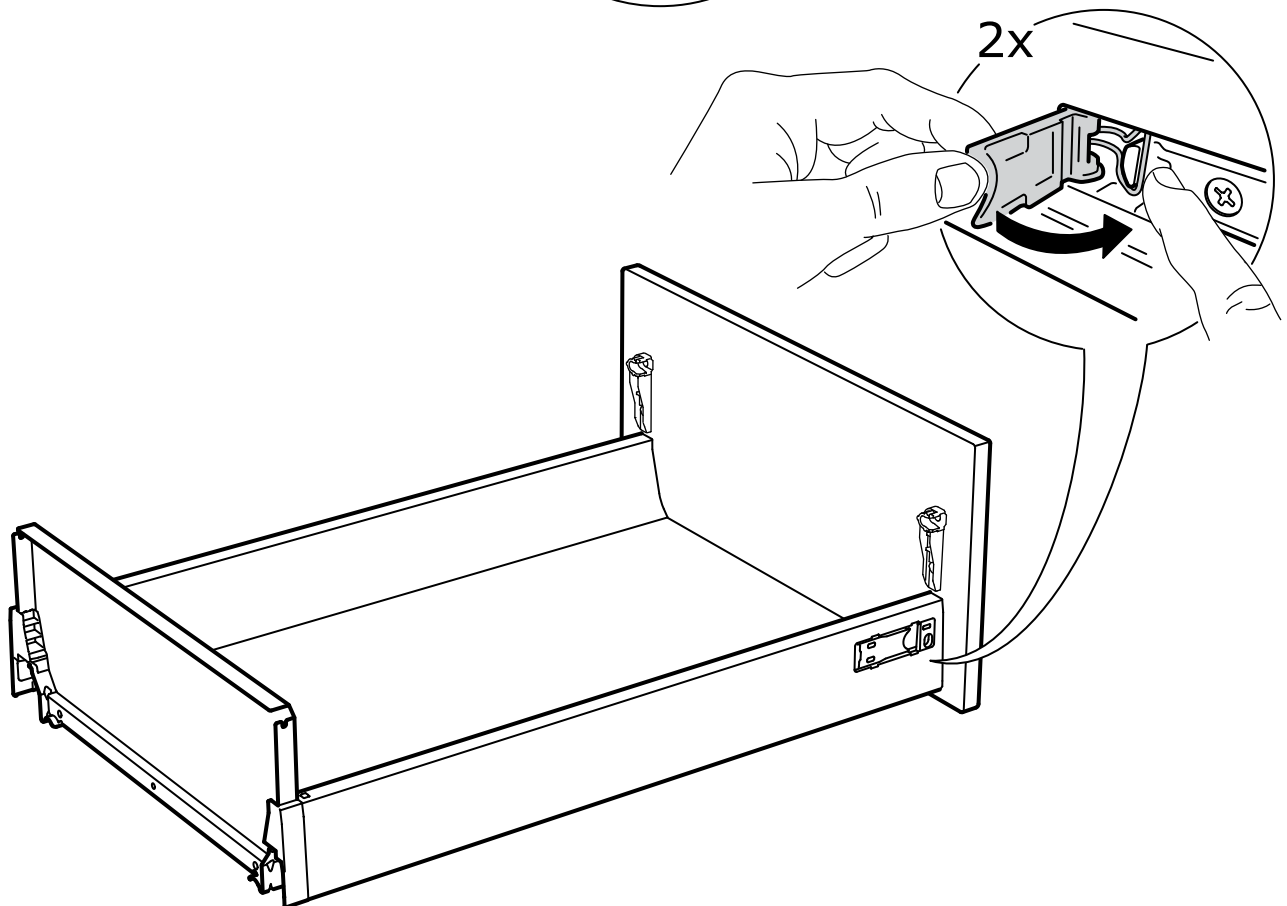
5



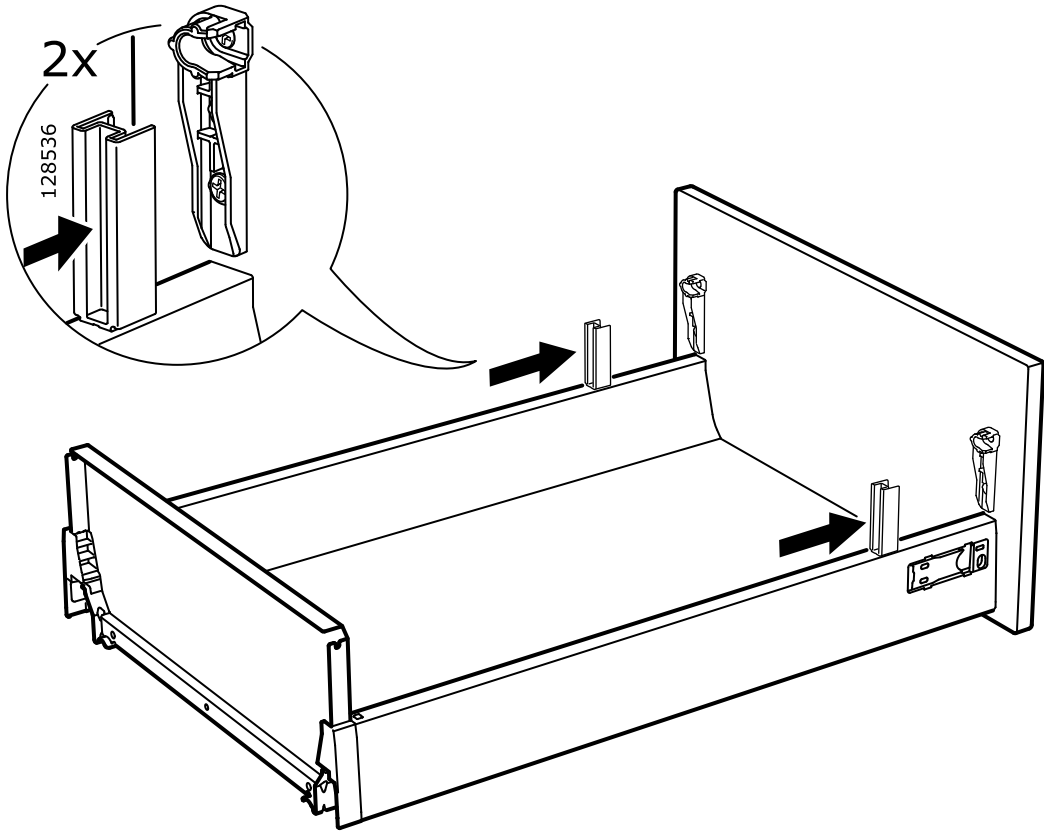
6



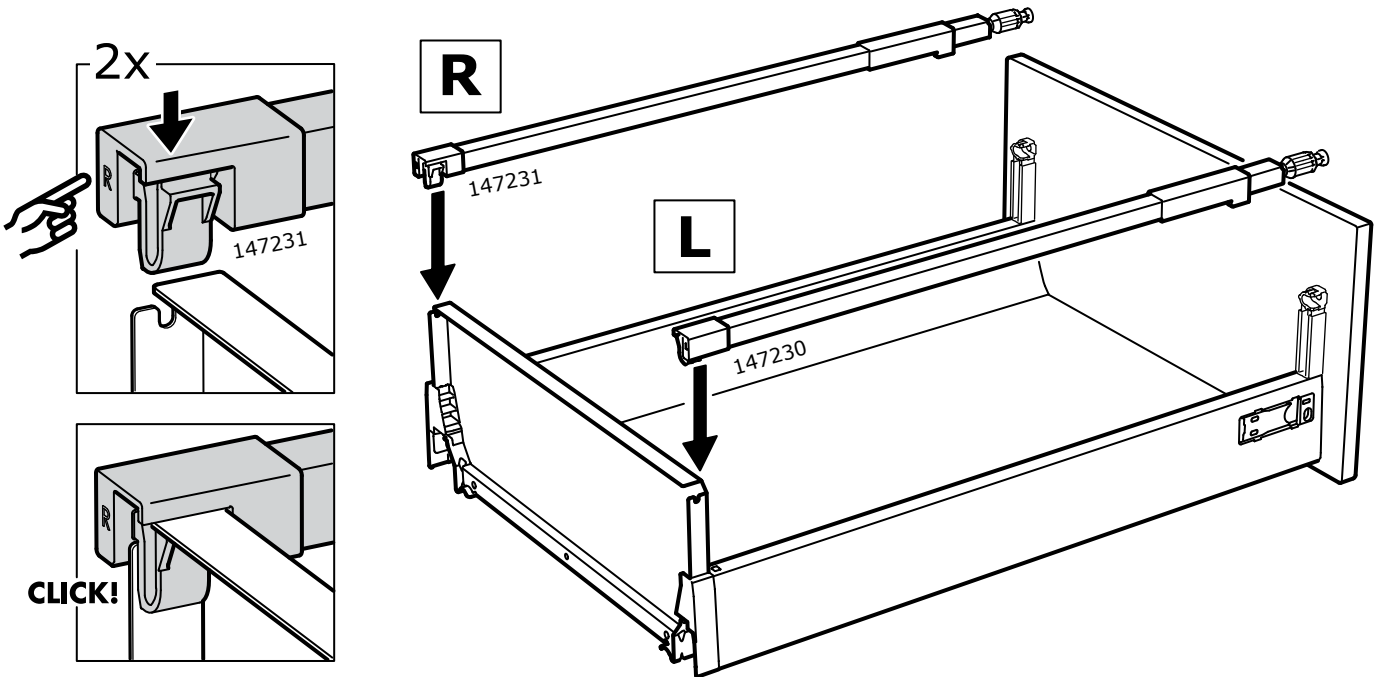
7



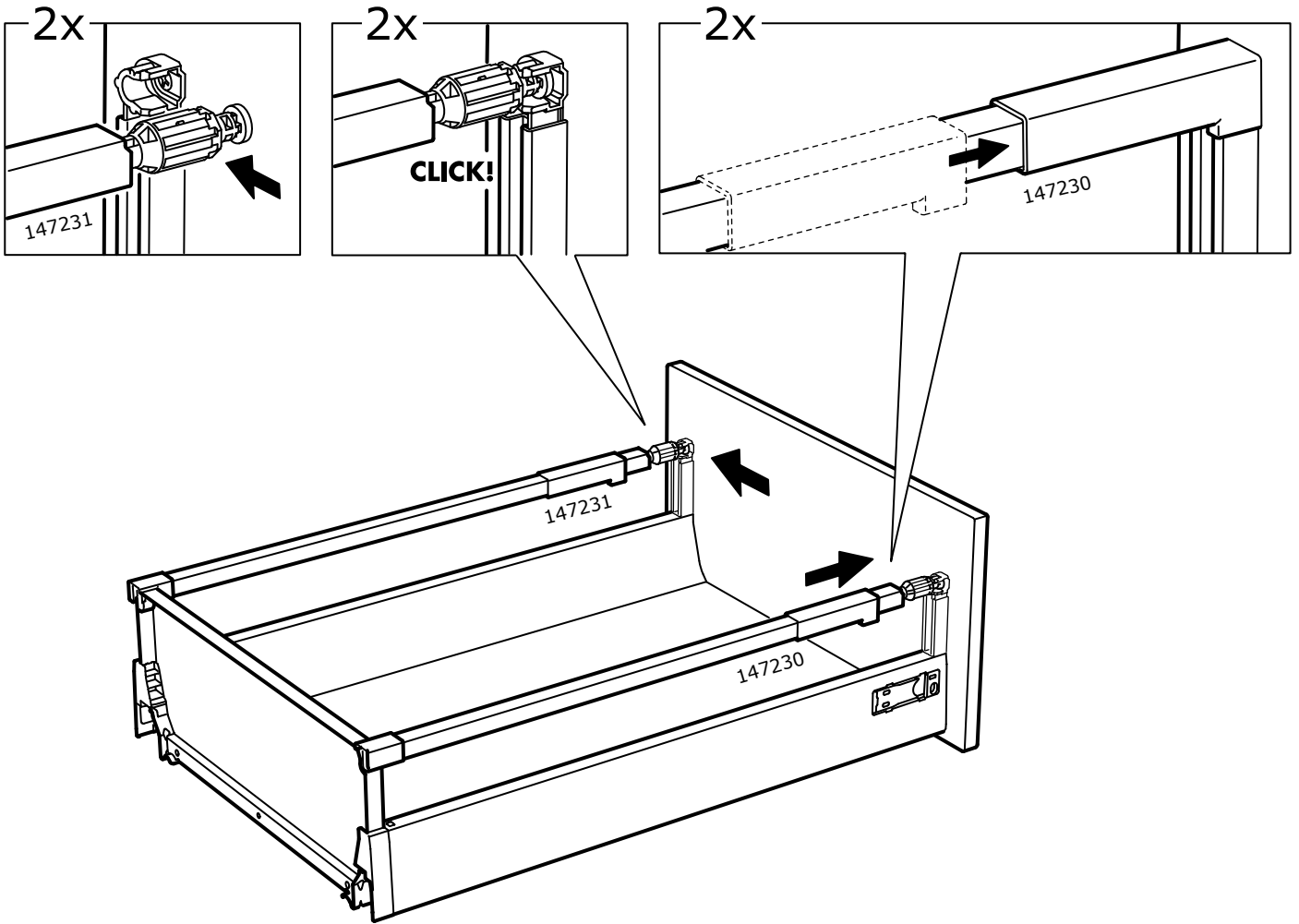
8

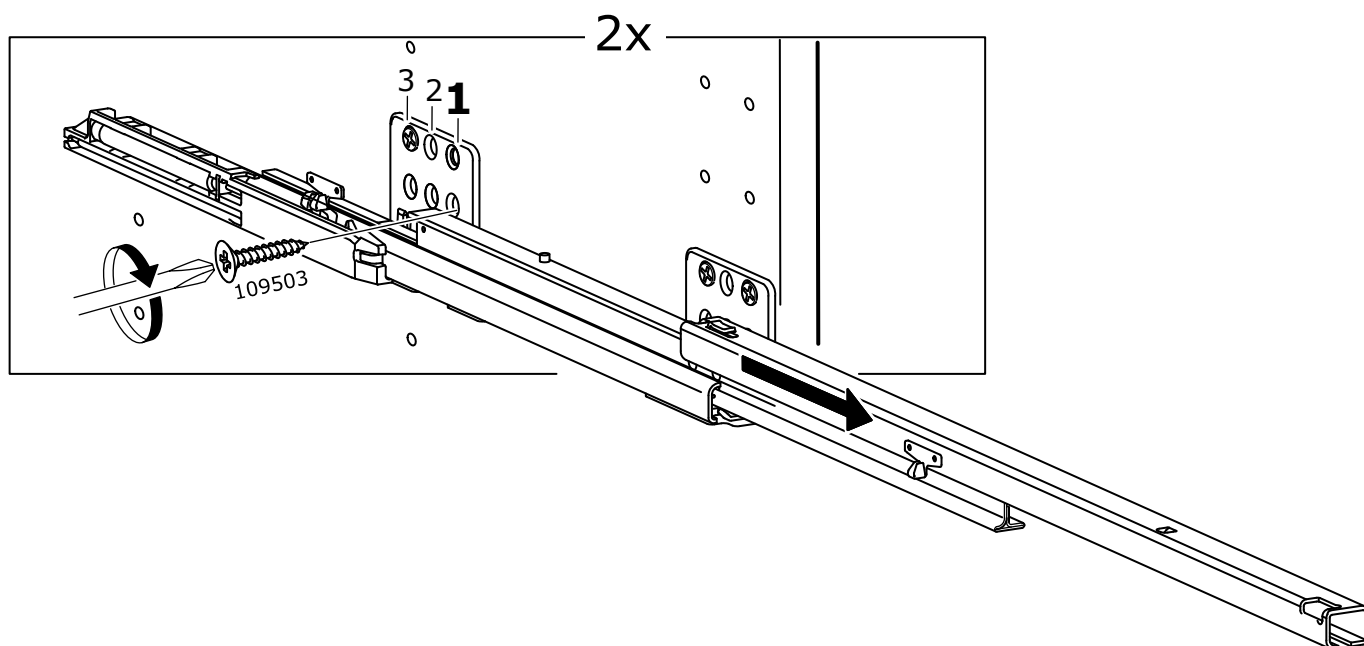
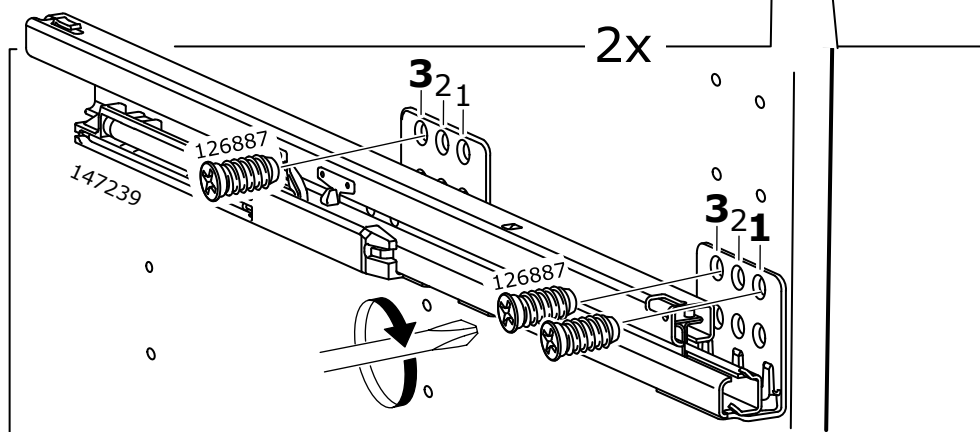
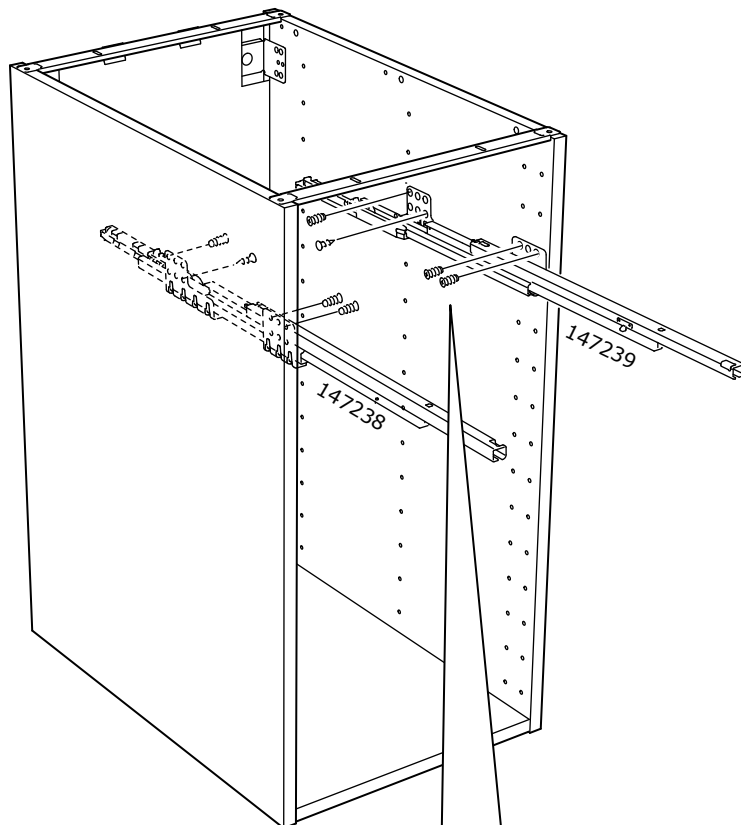


9

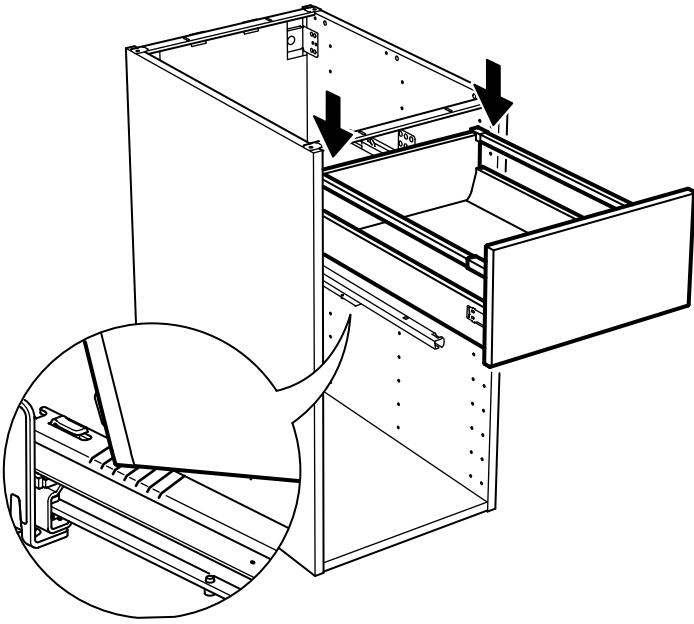


10

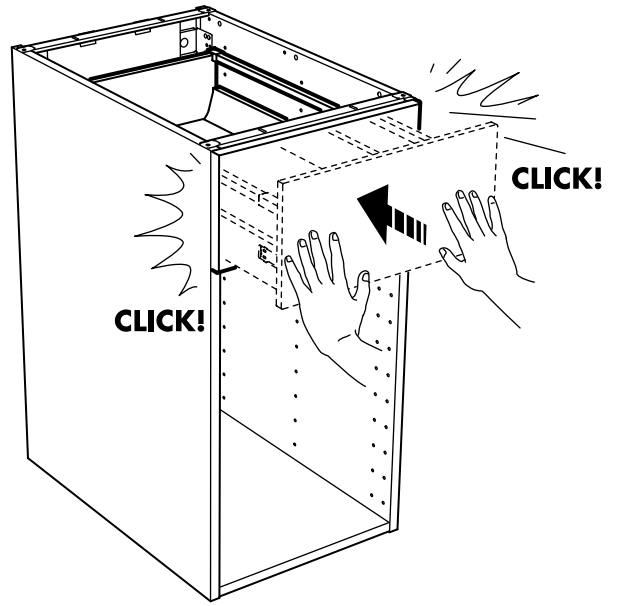




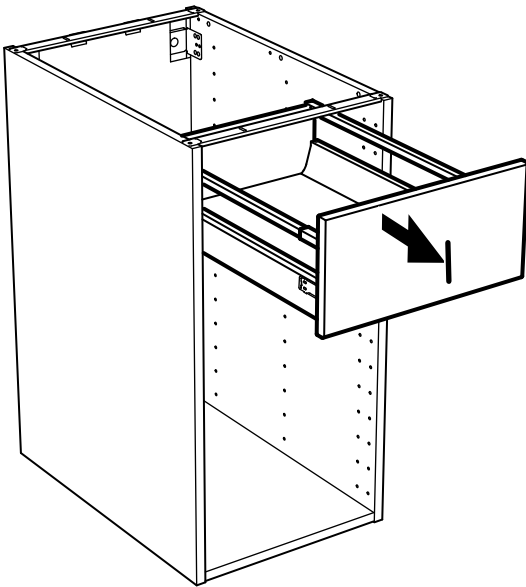
12



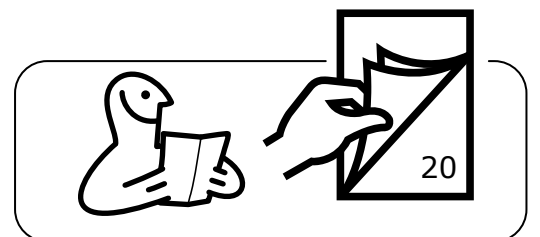
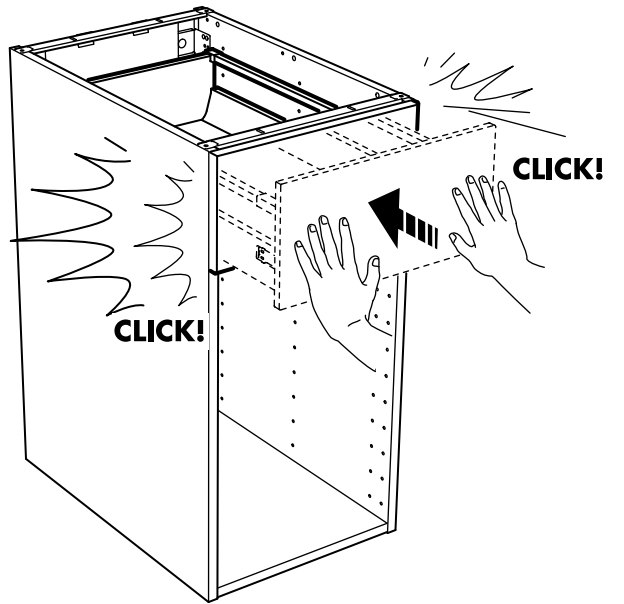
13

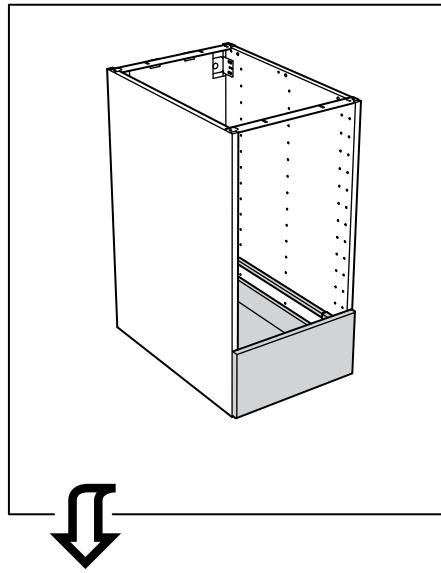


14

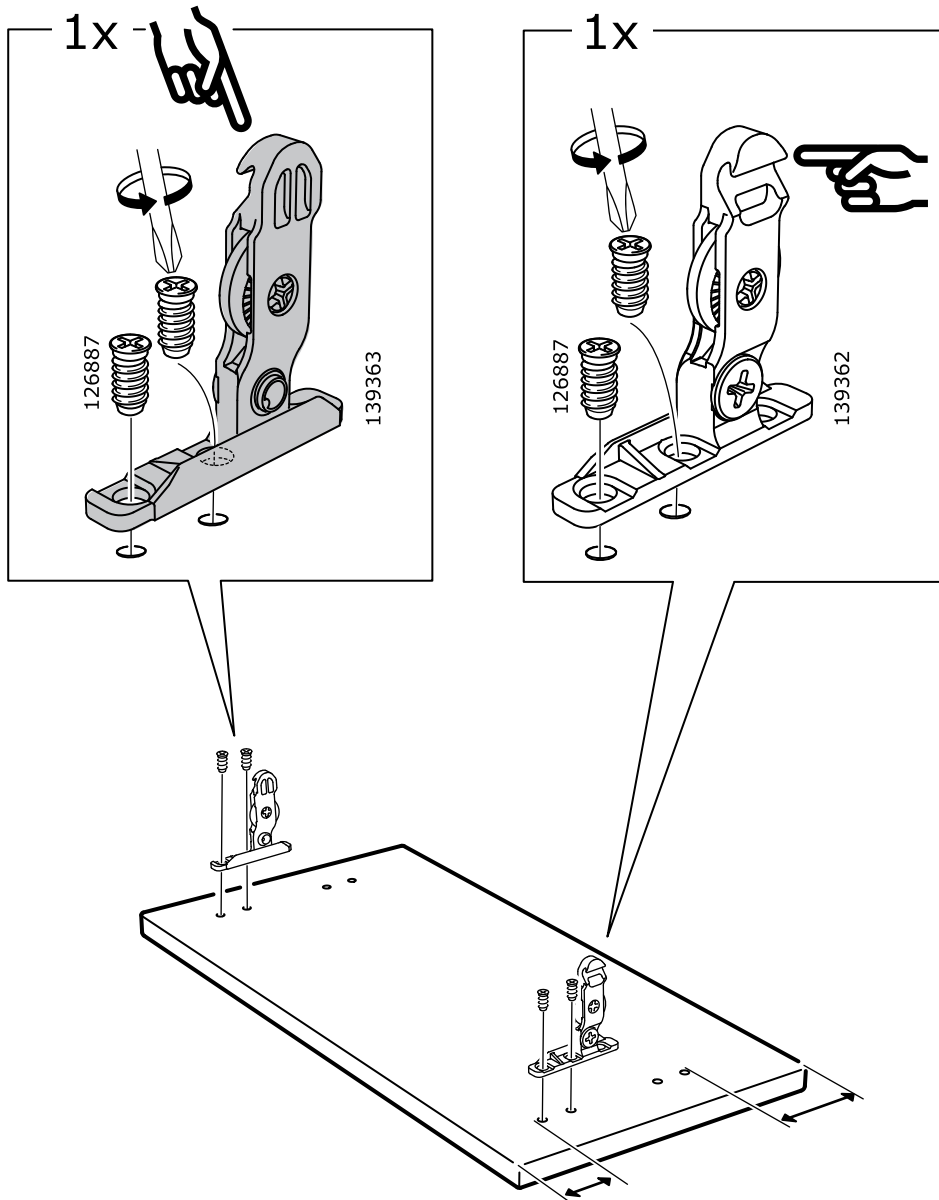


15

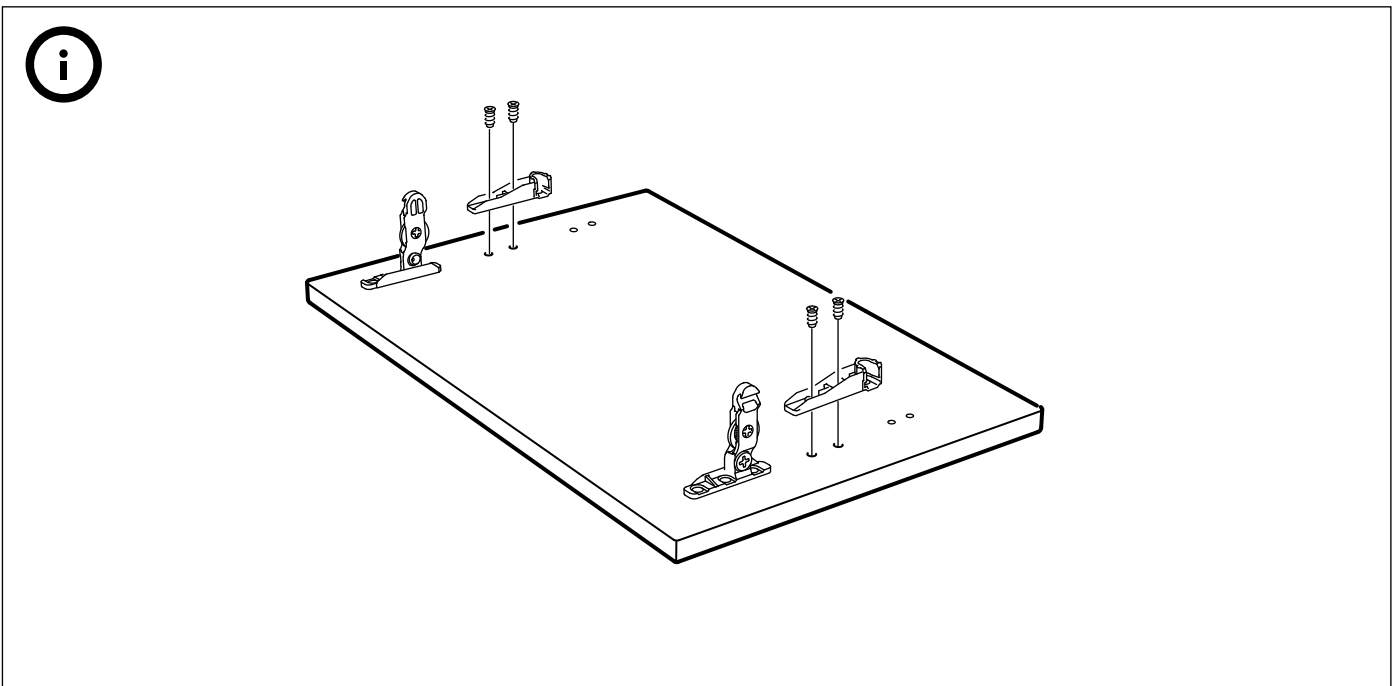
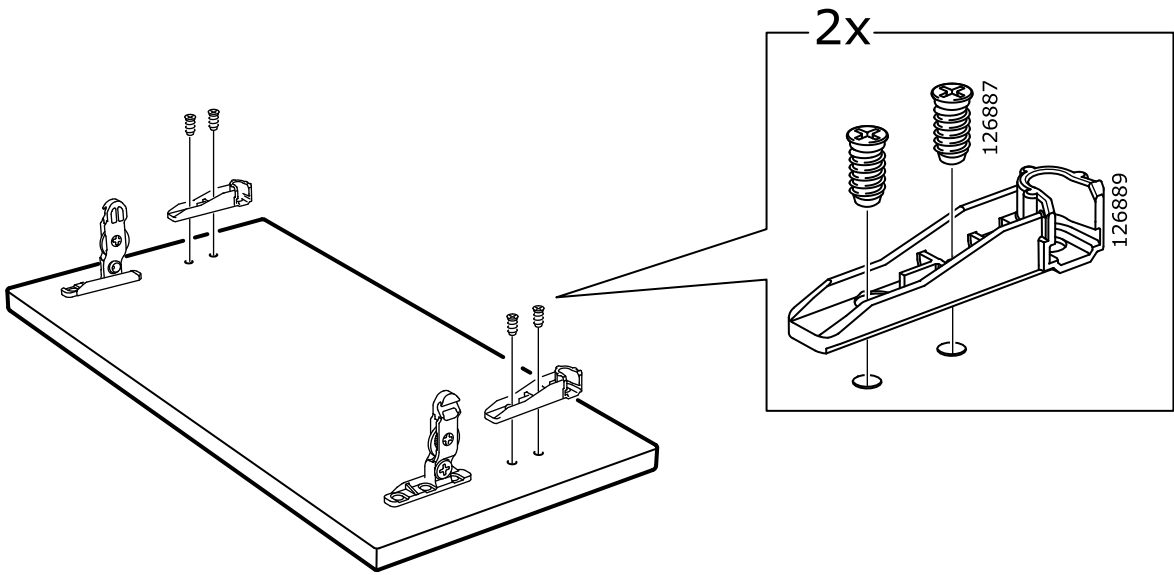




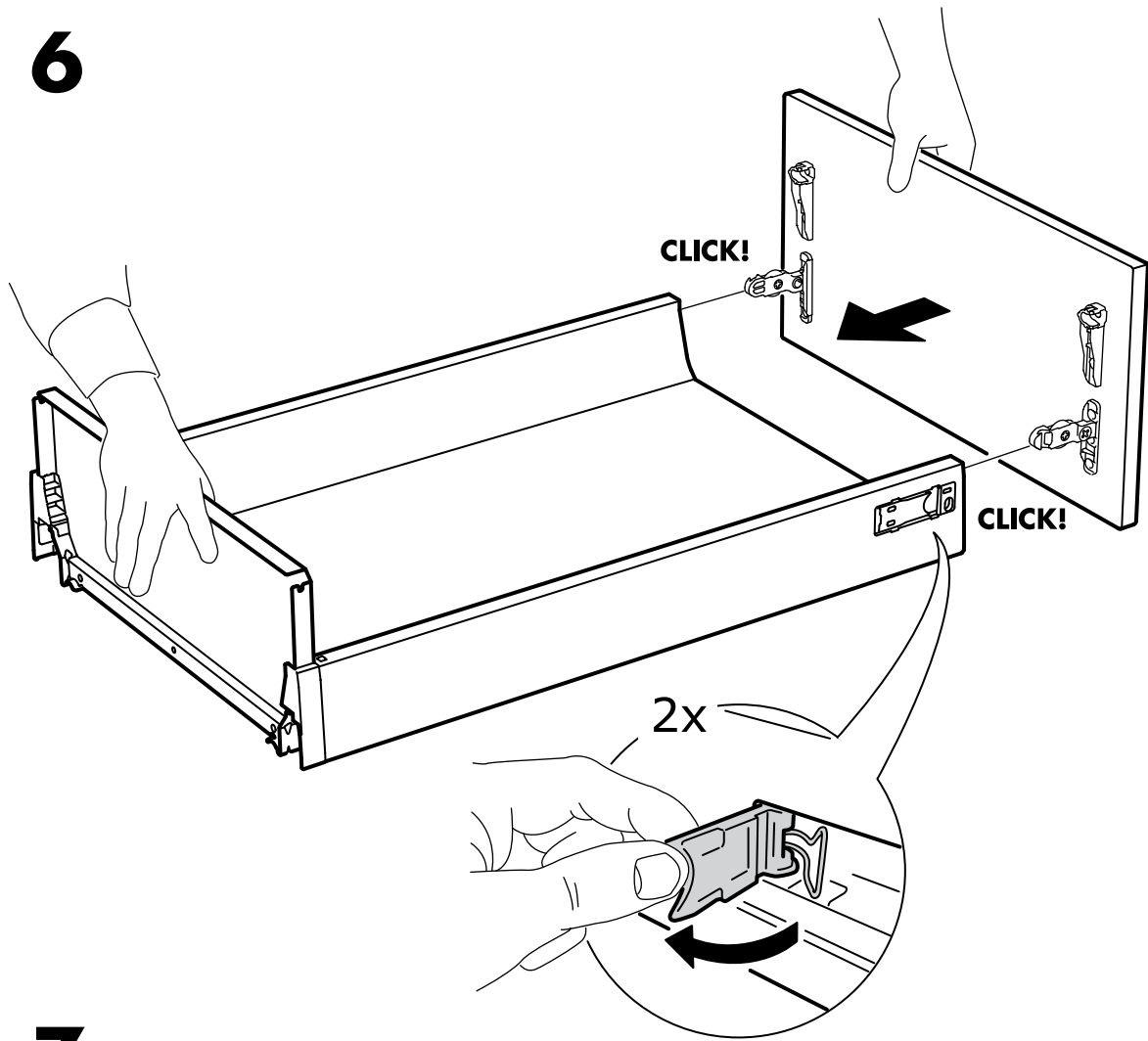
4



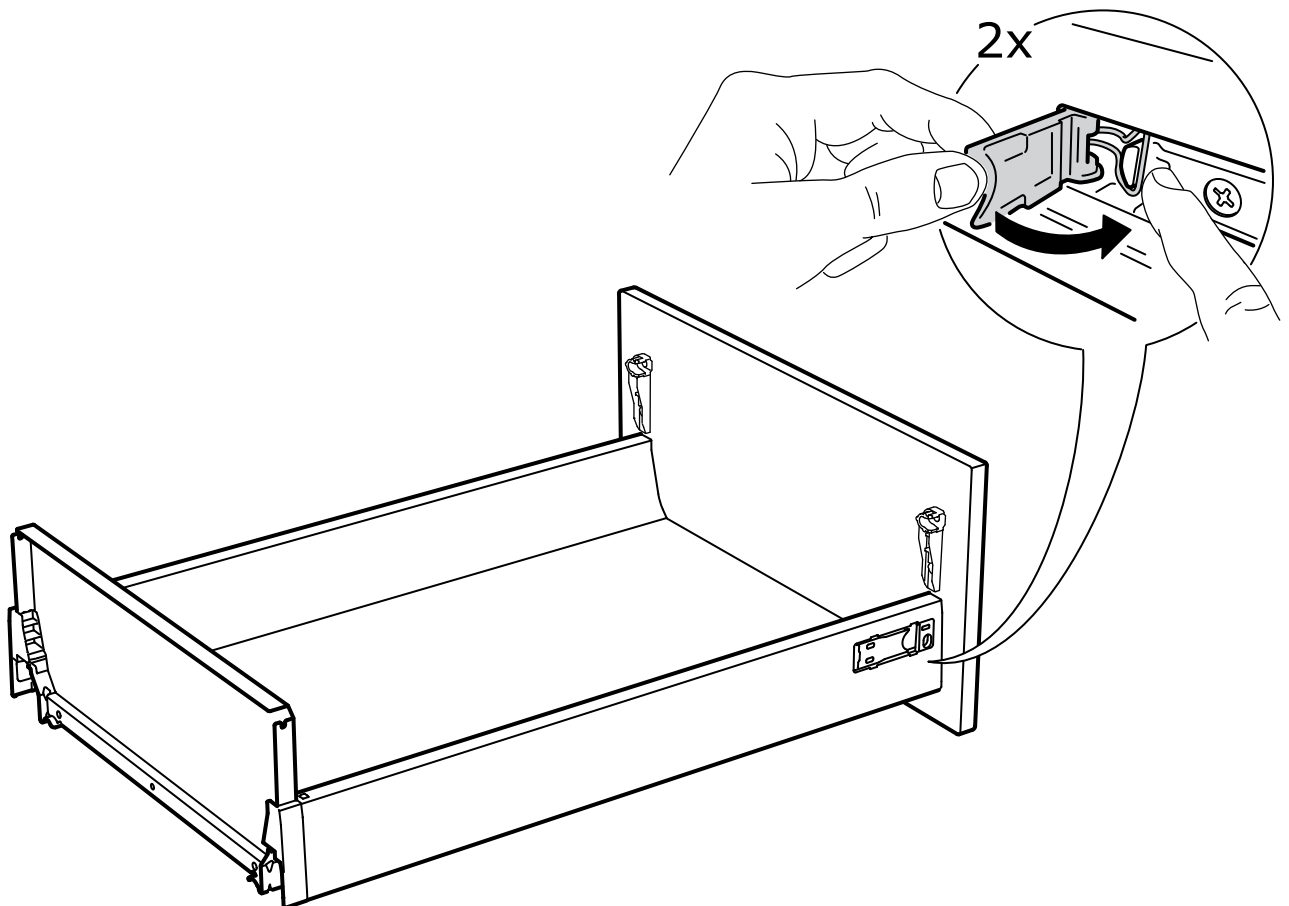
5



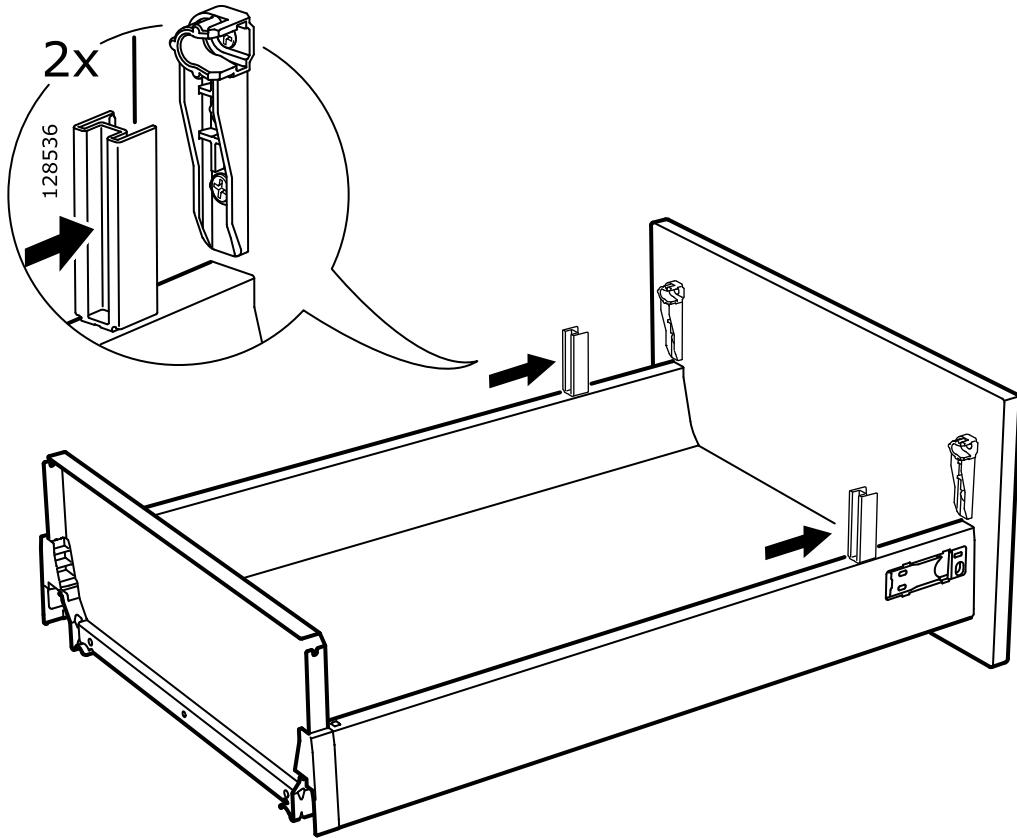
6



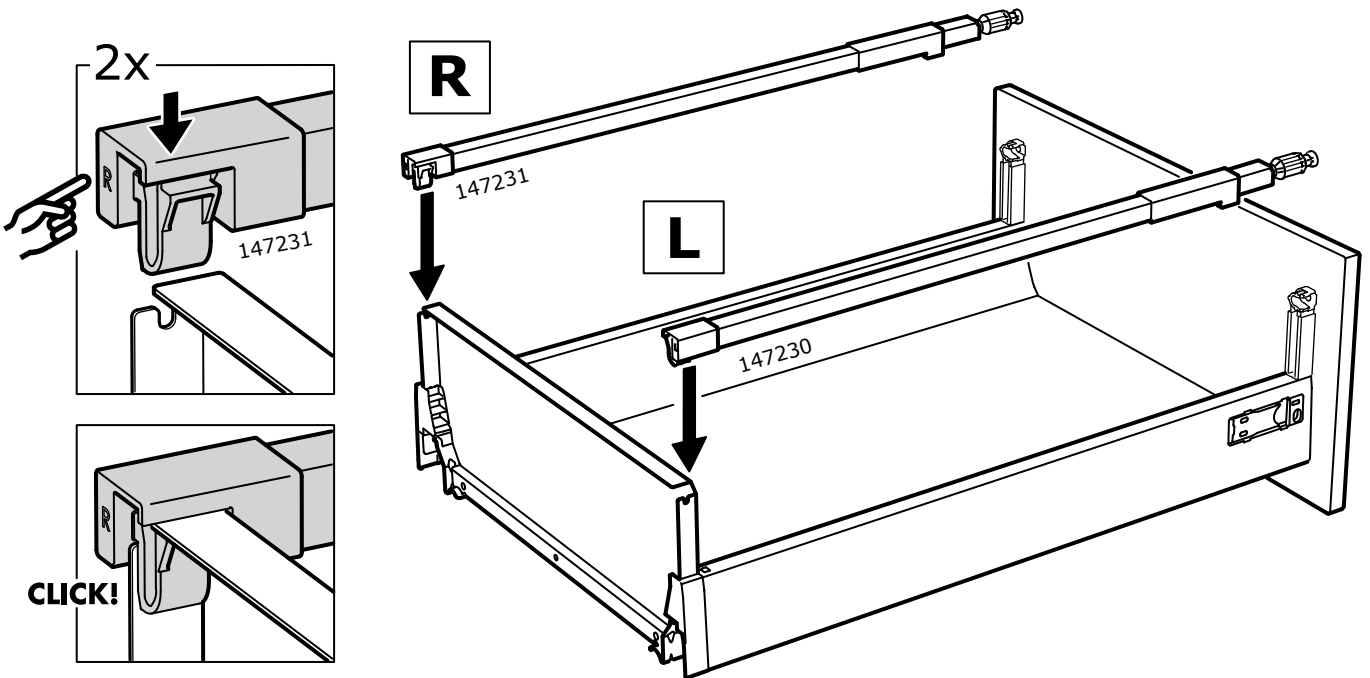
7



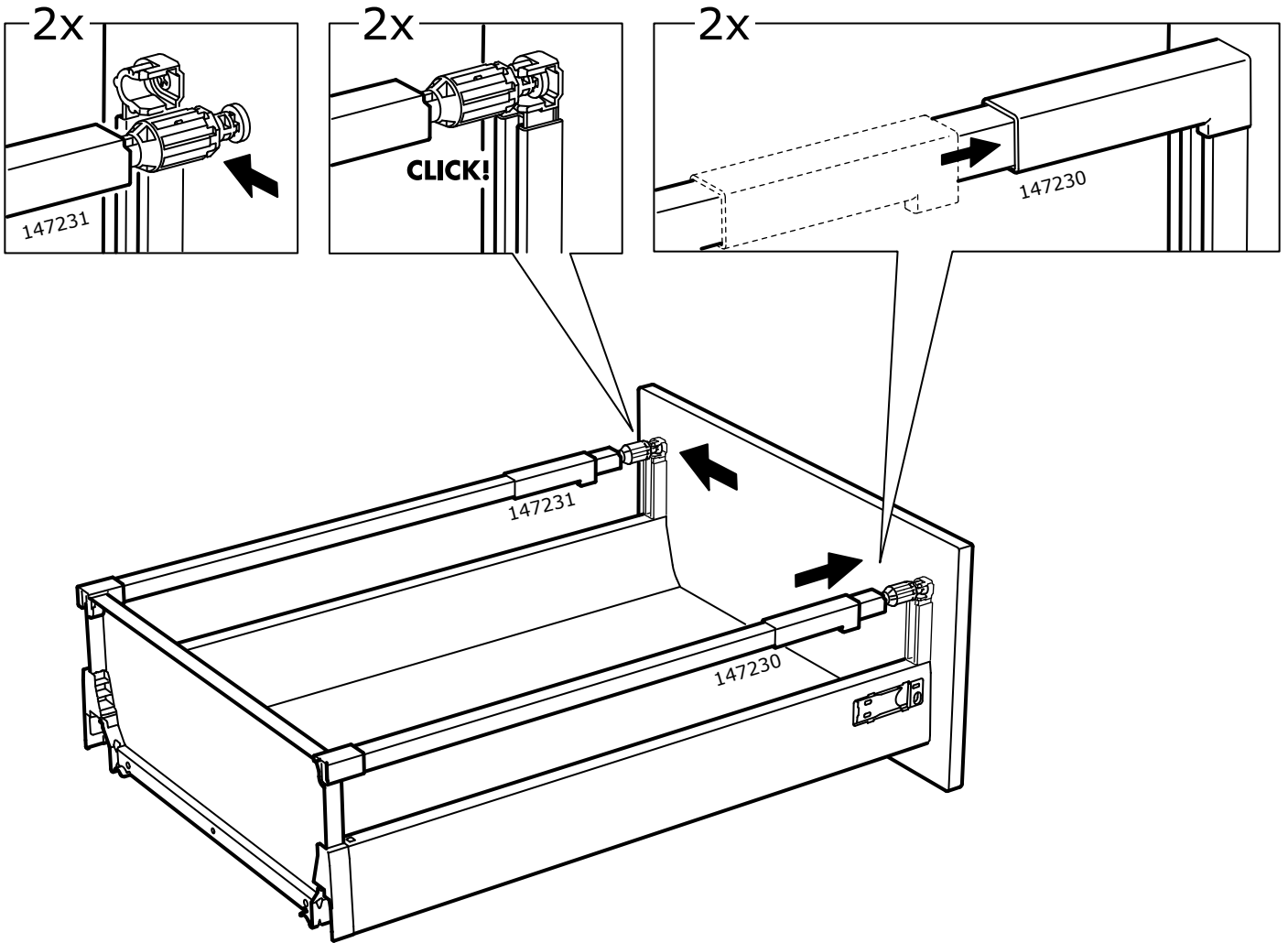
8



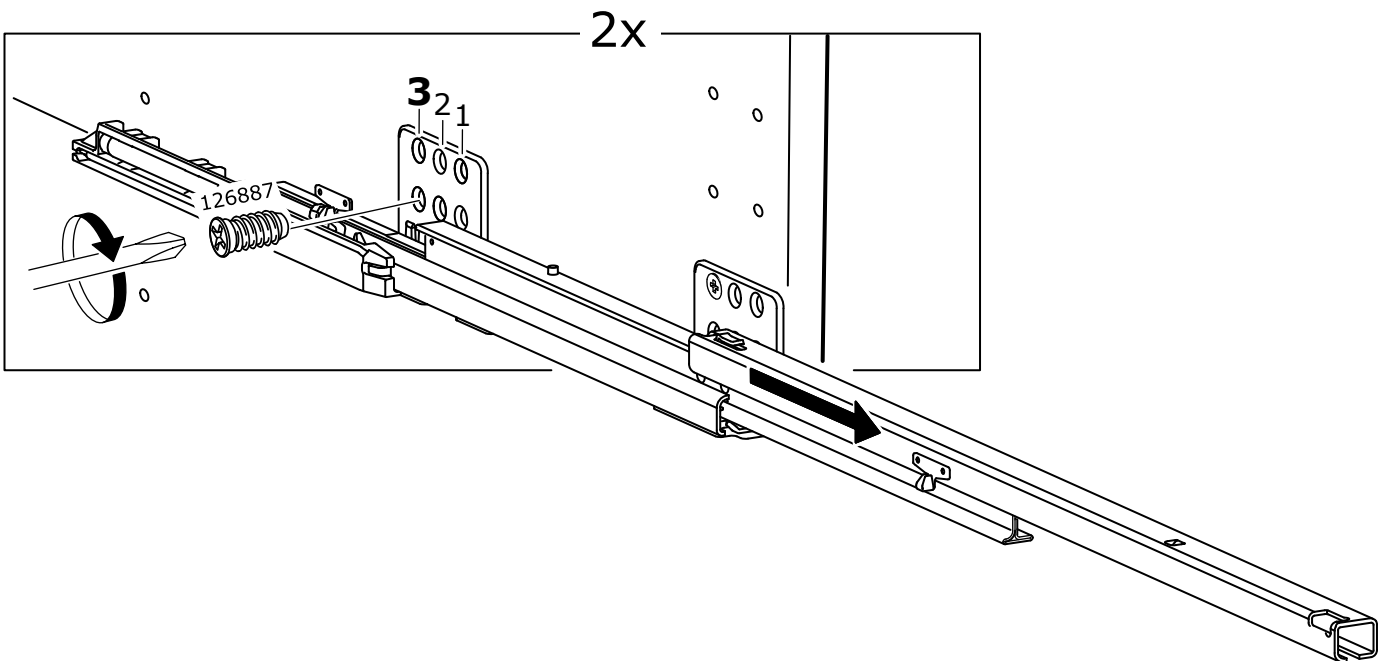
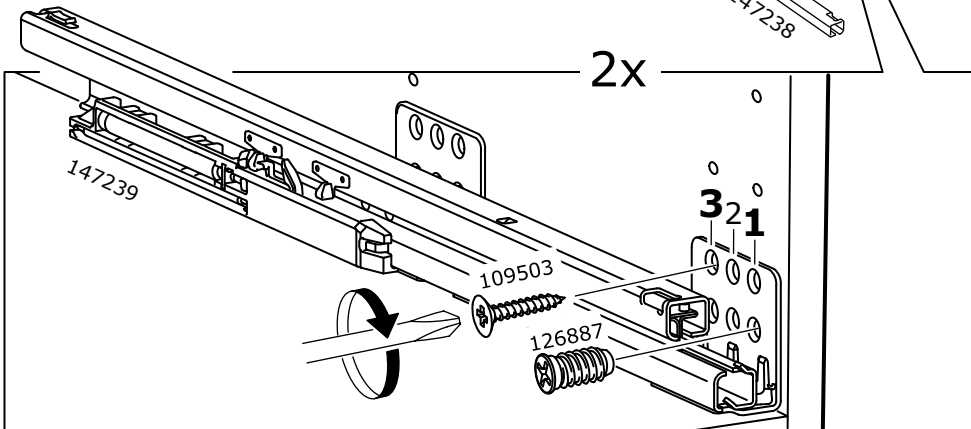
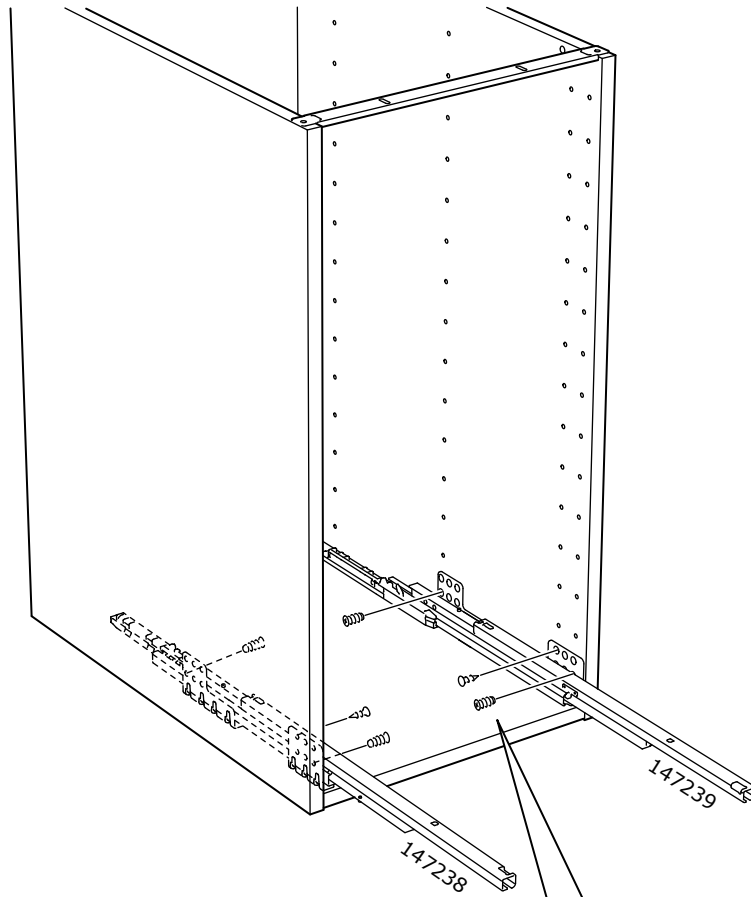
9



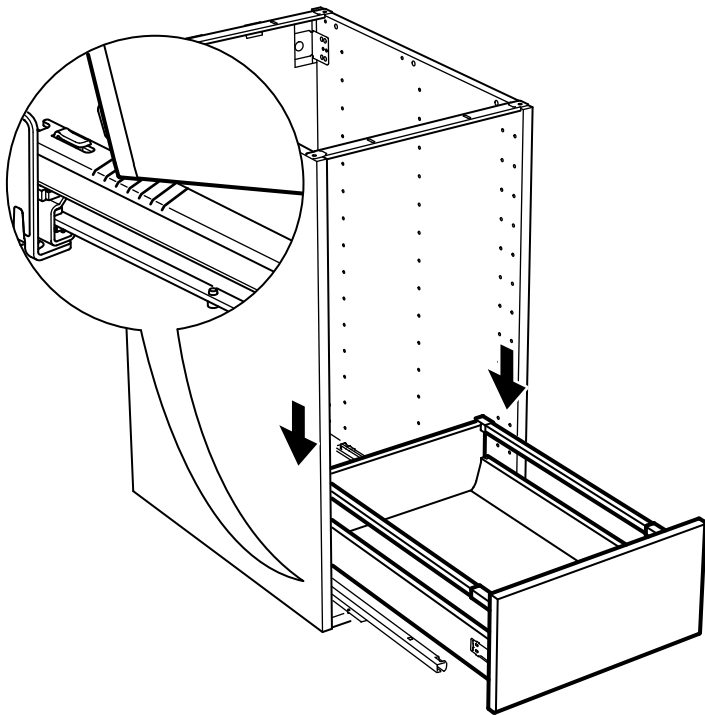
10



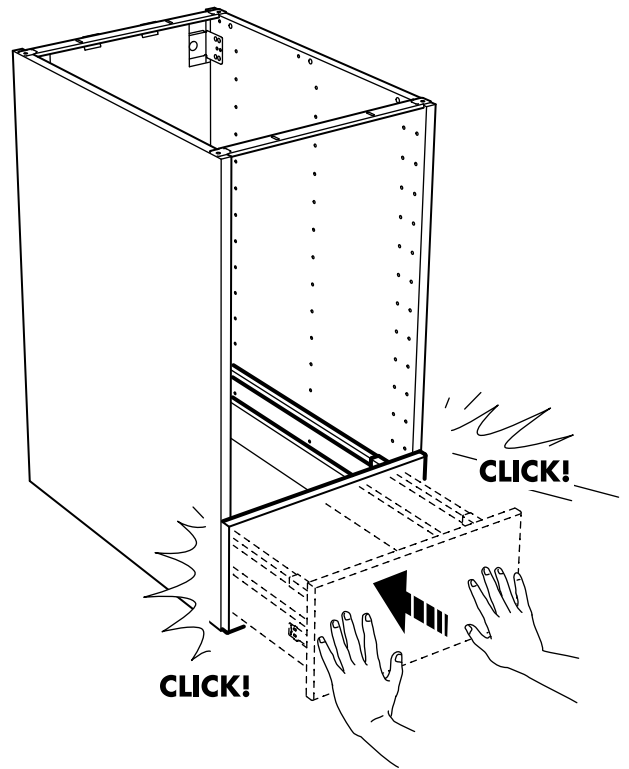
11



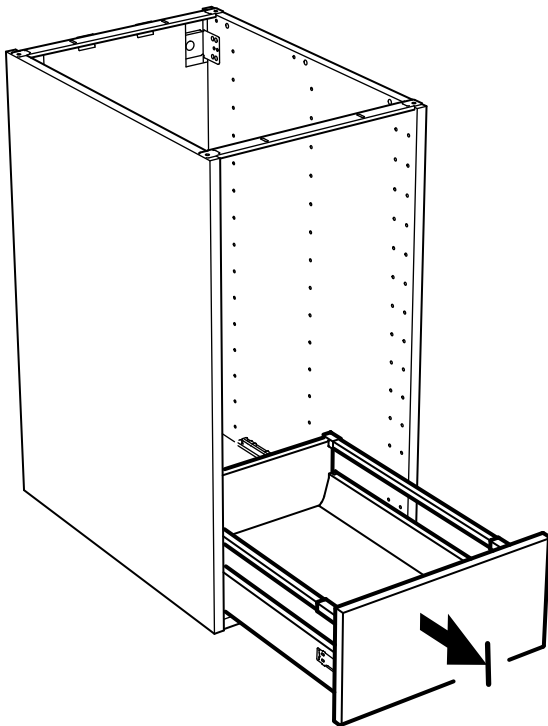
12



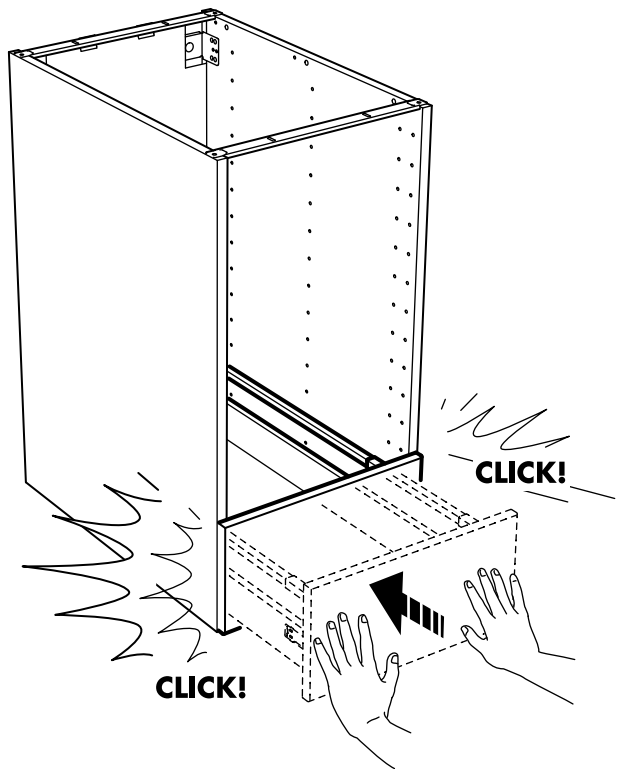
13



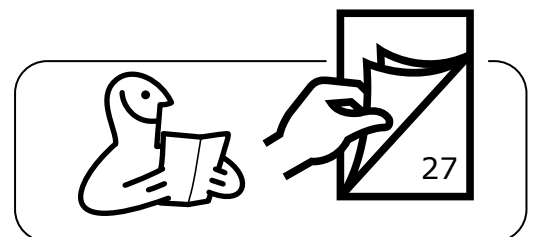
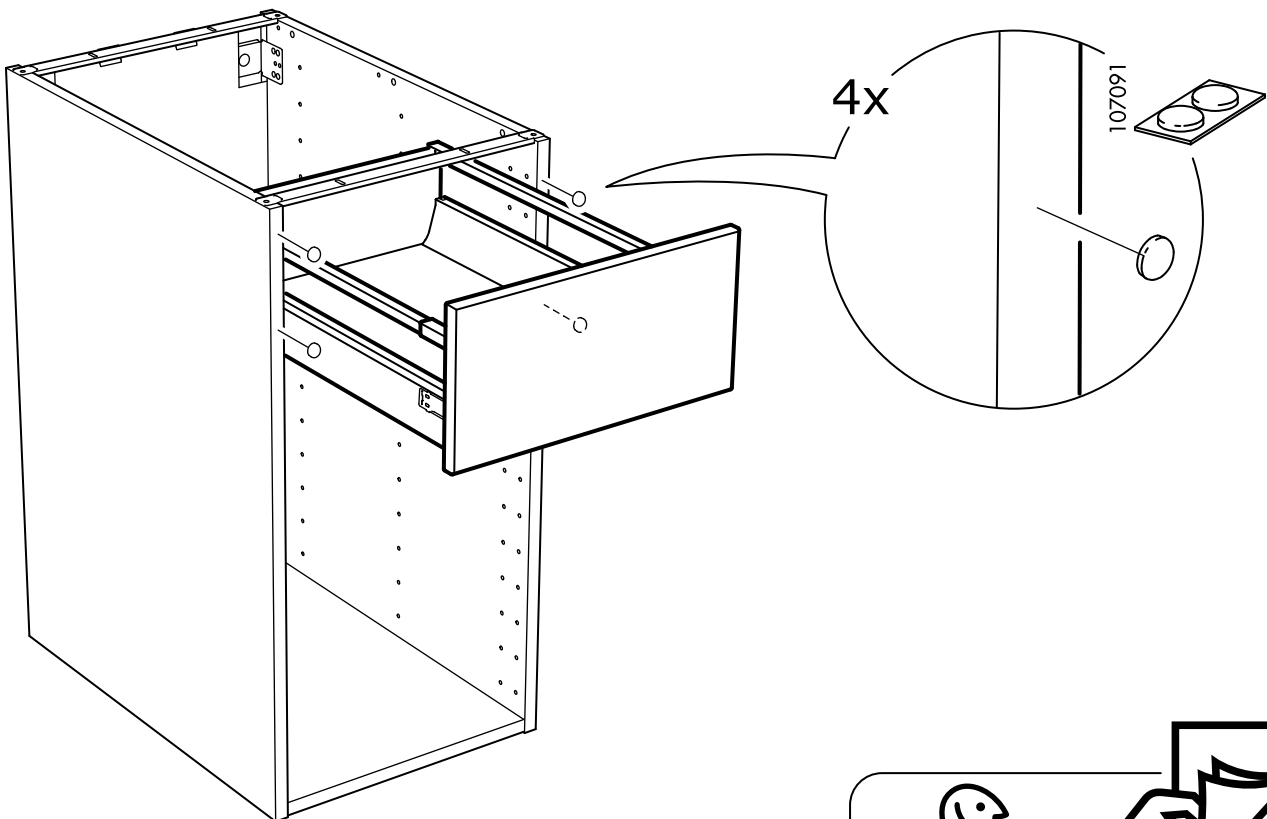
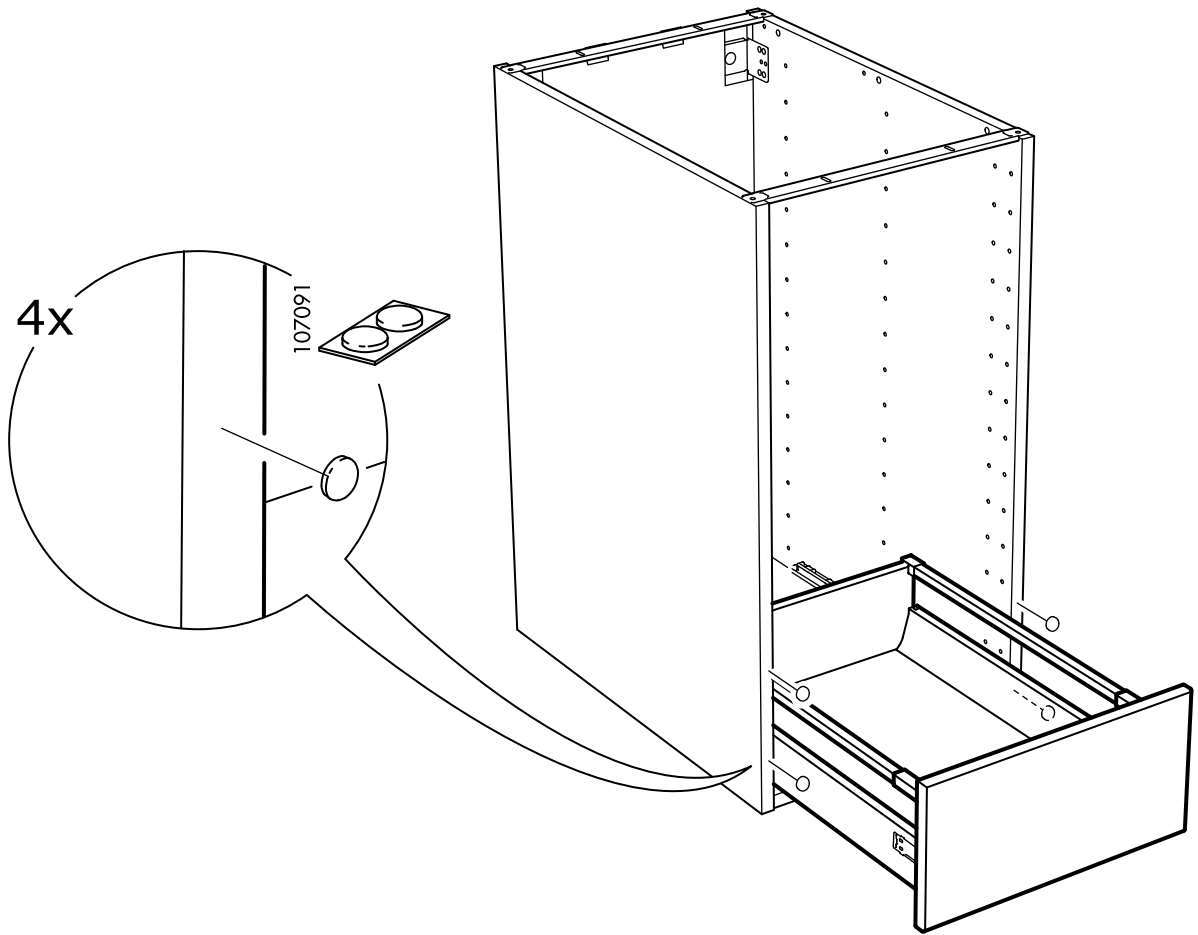
14



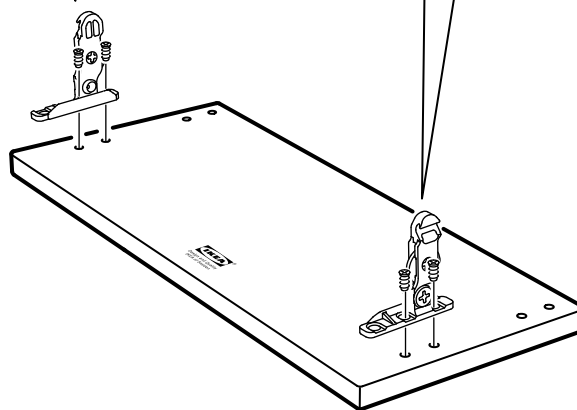
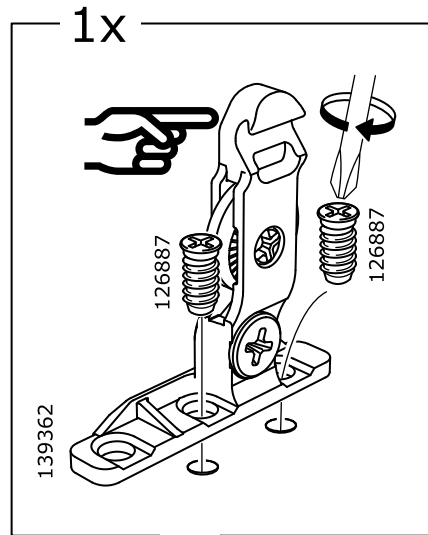
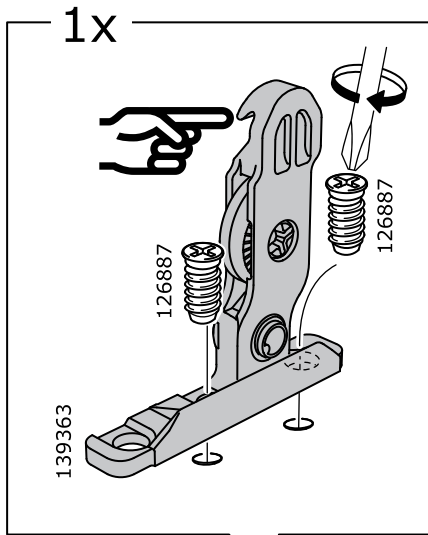
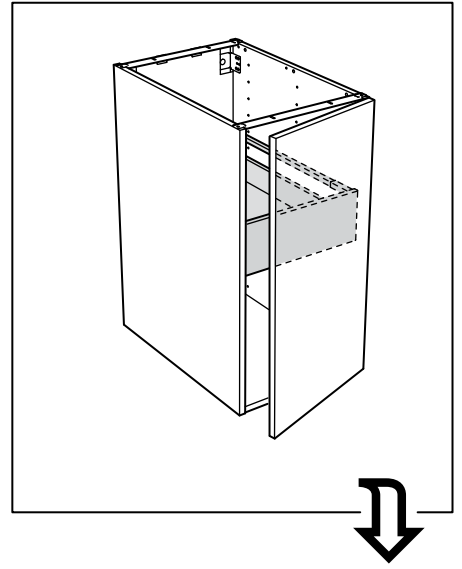
15



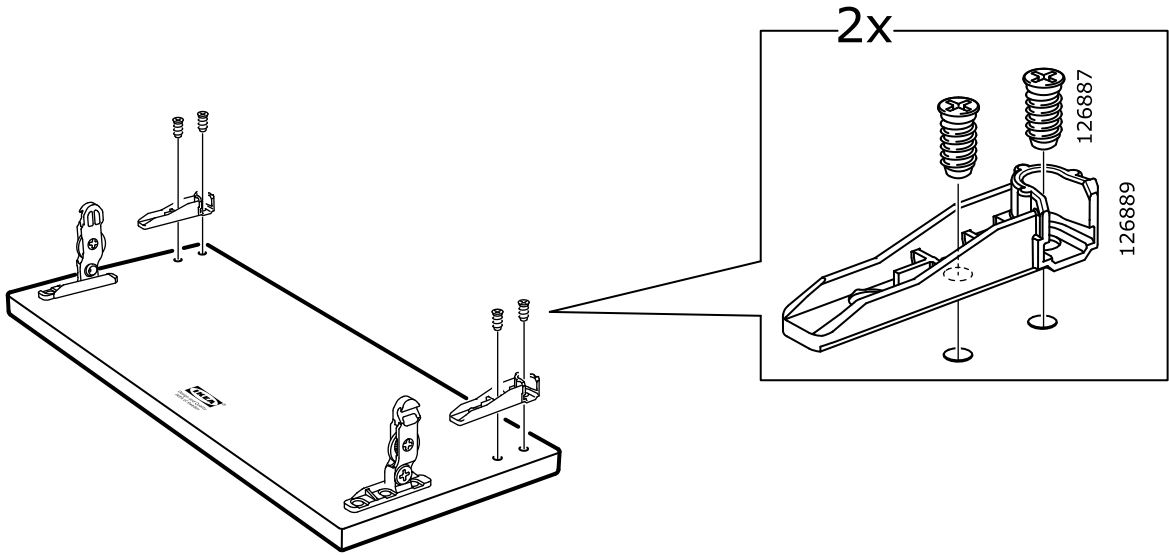
16



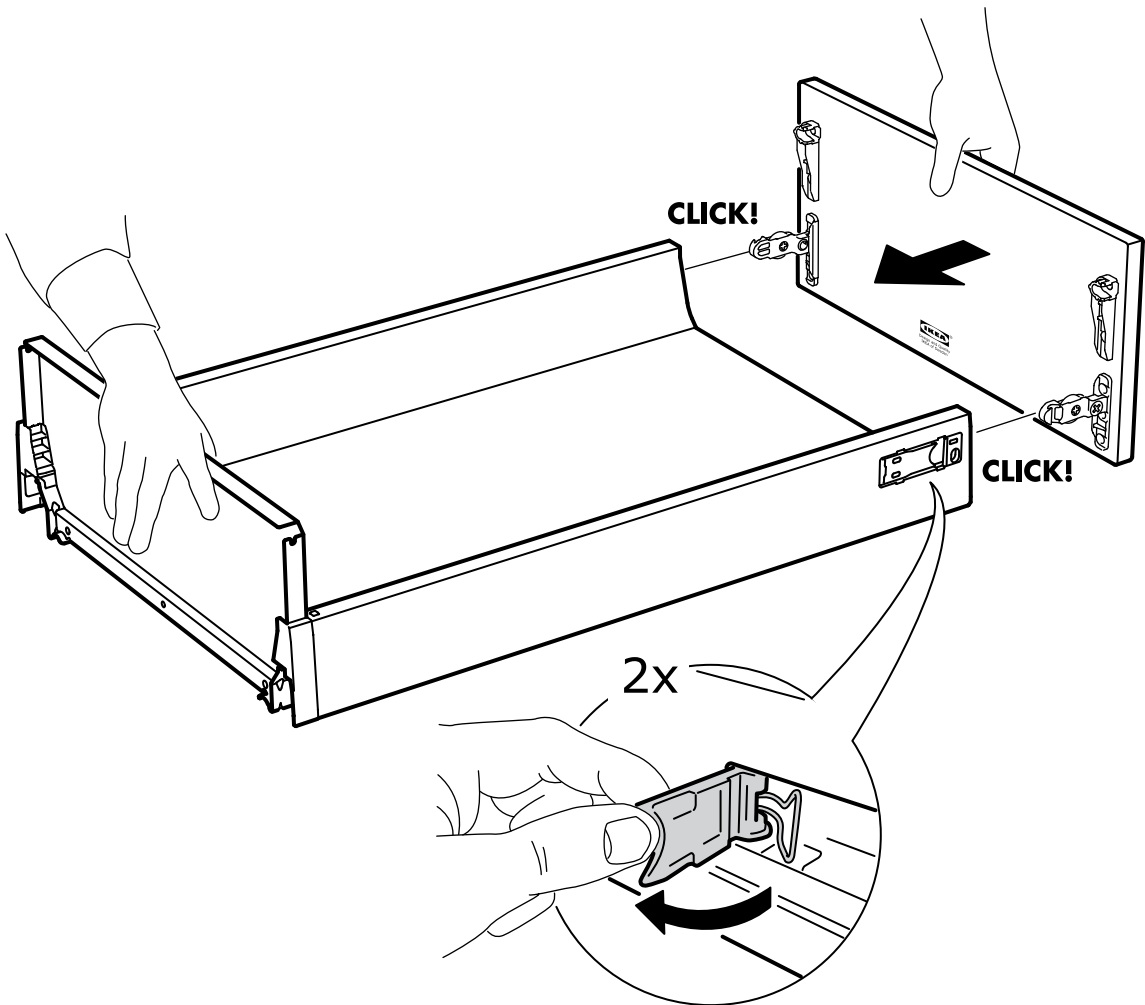
4



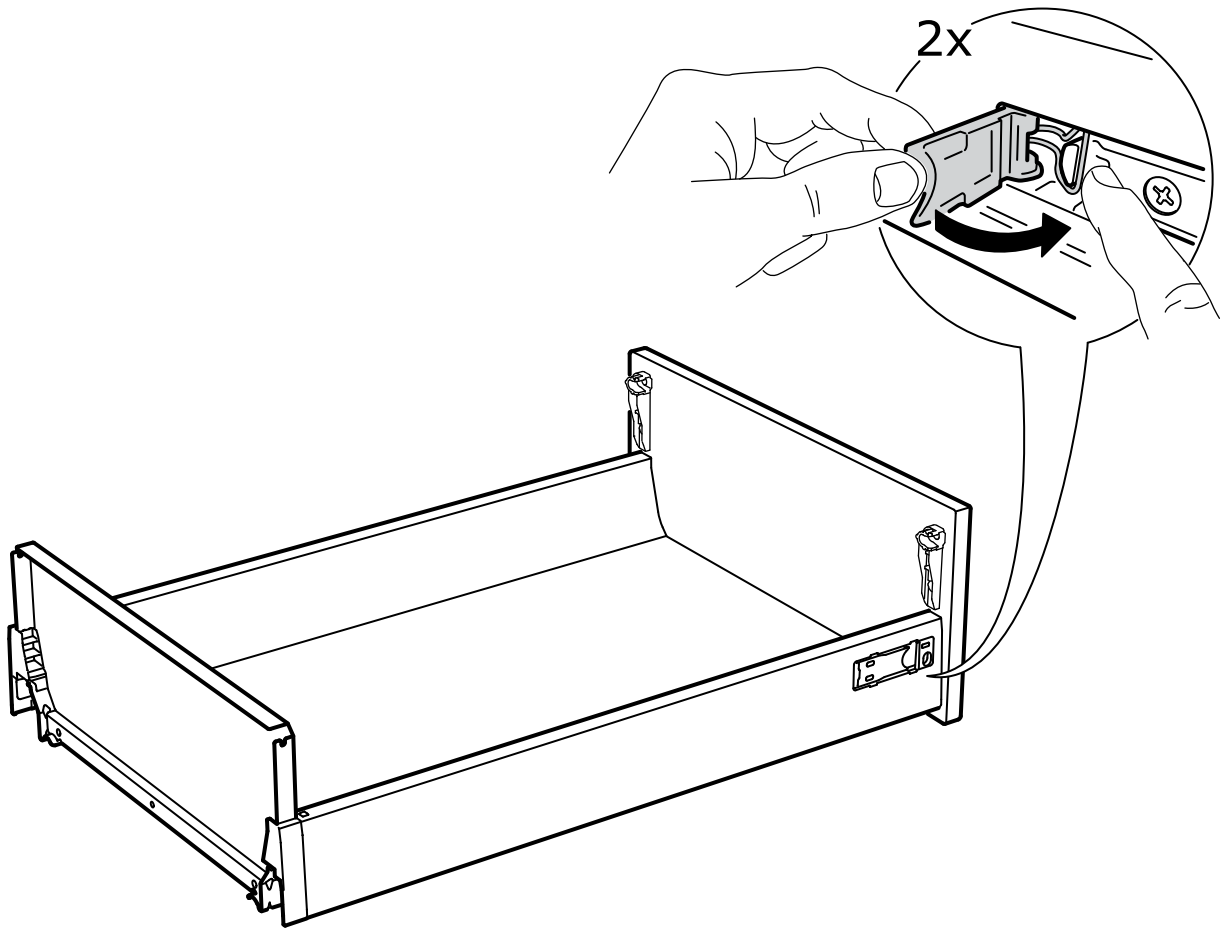
5



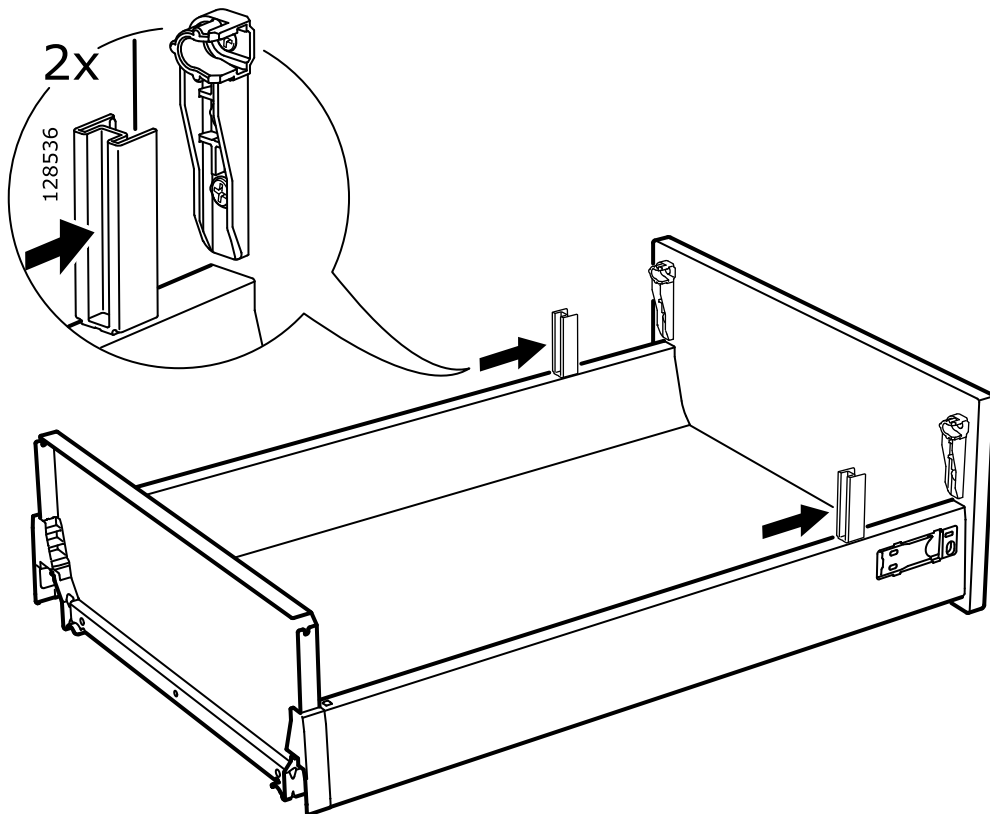
6



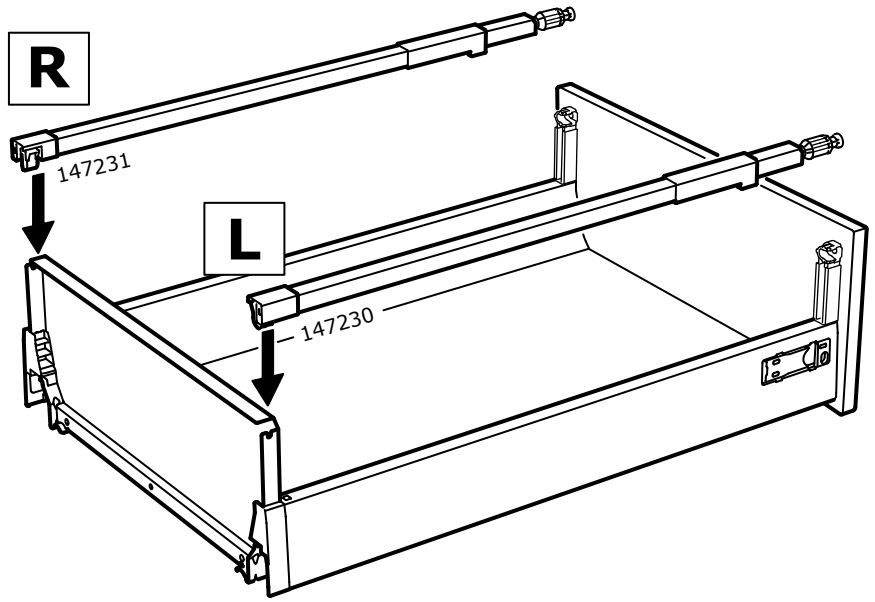
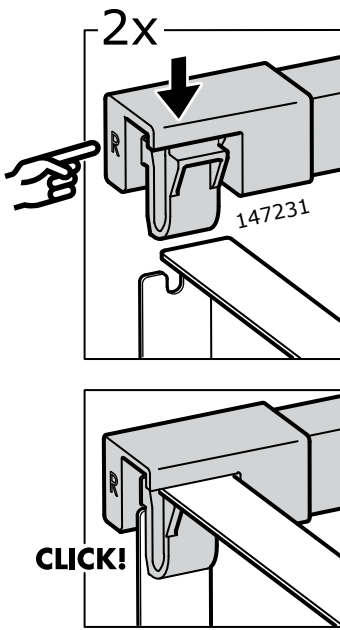
7



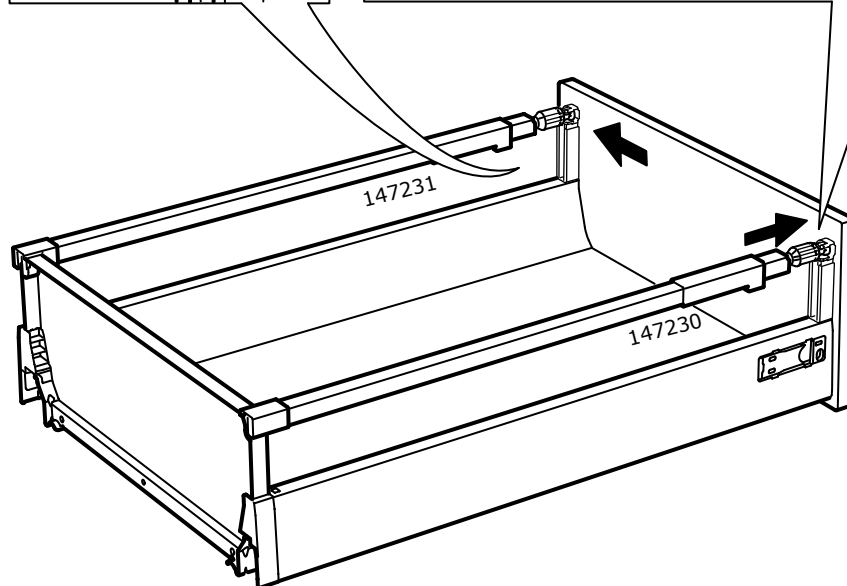
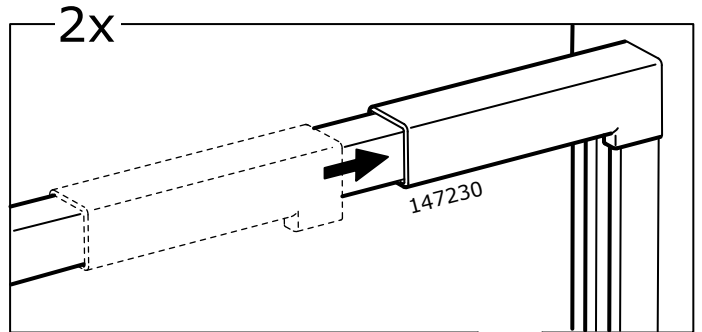
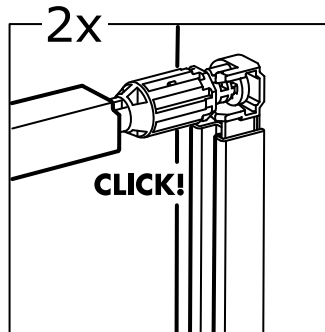
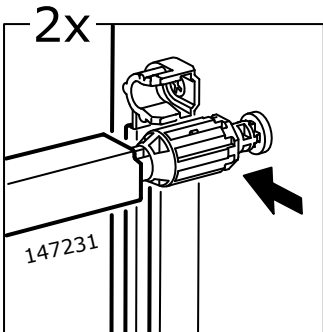
8



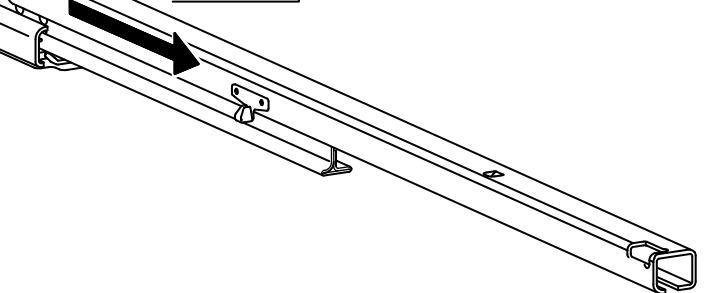
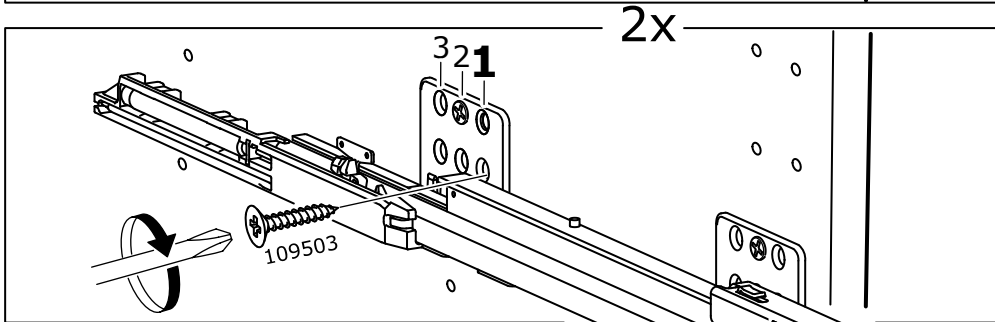
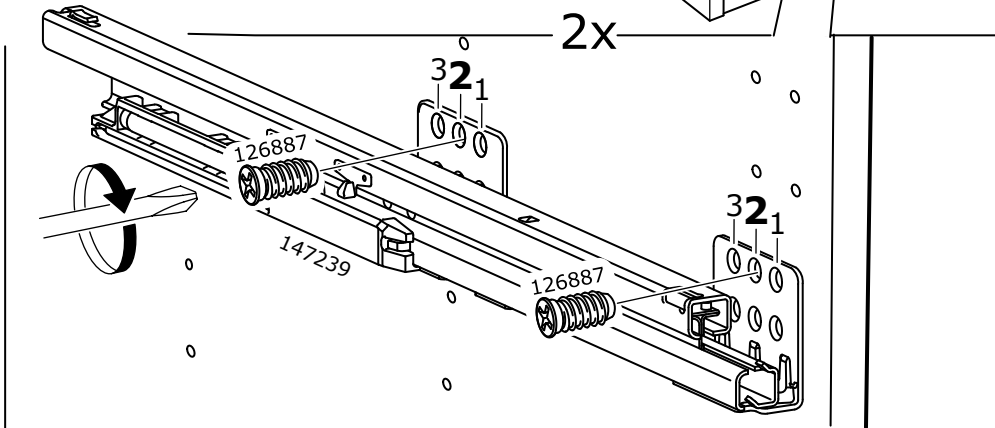
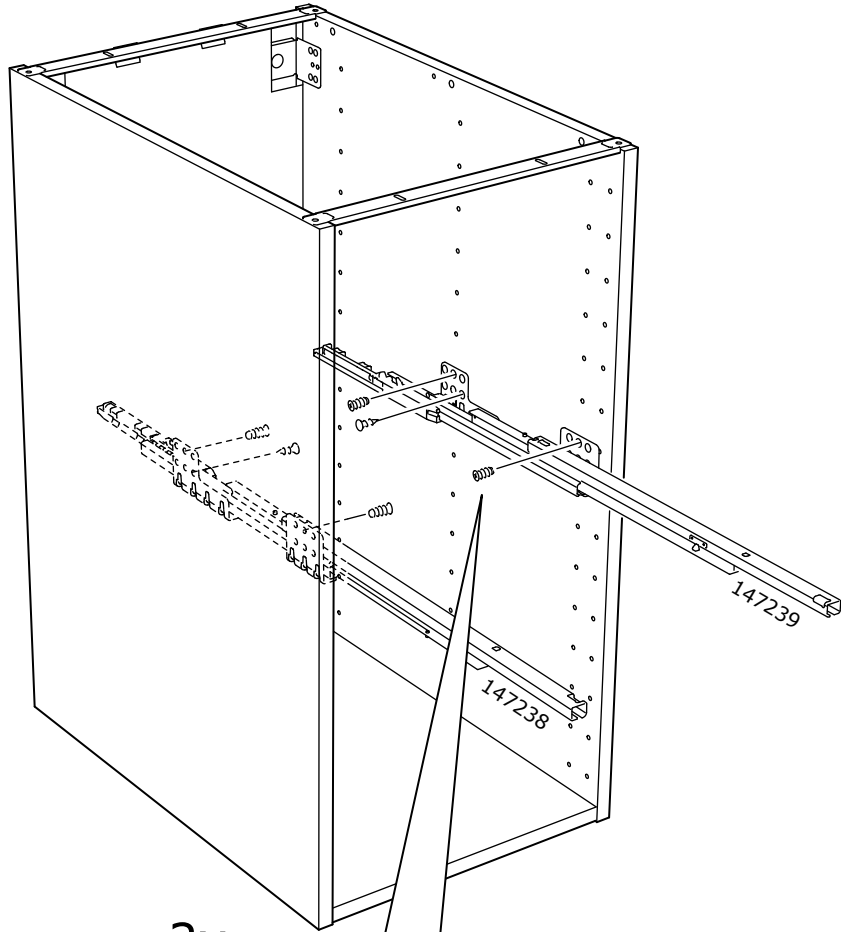
9



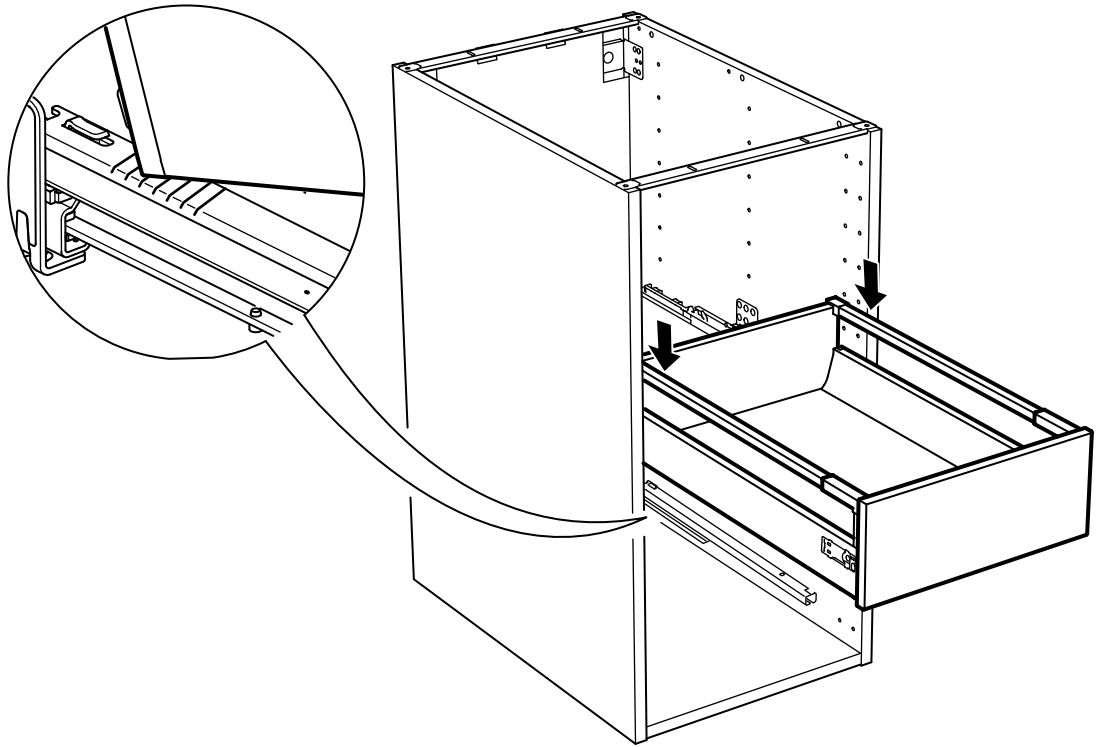
10



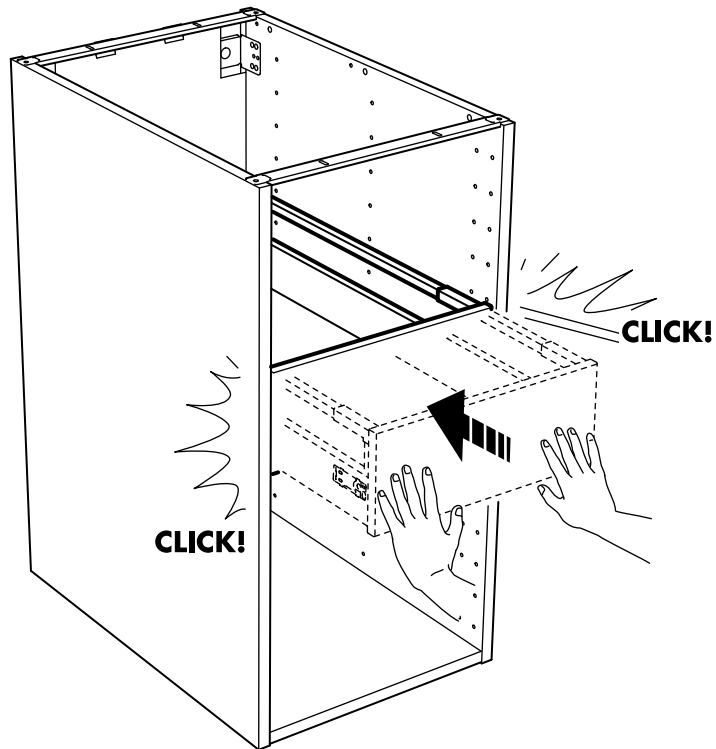
11

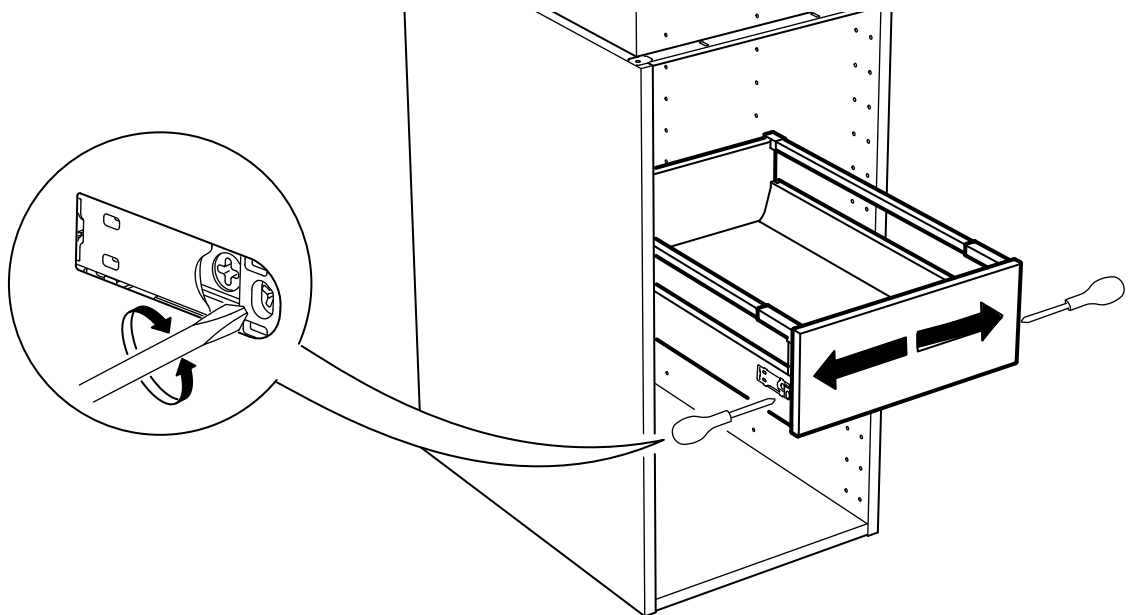
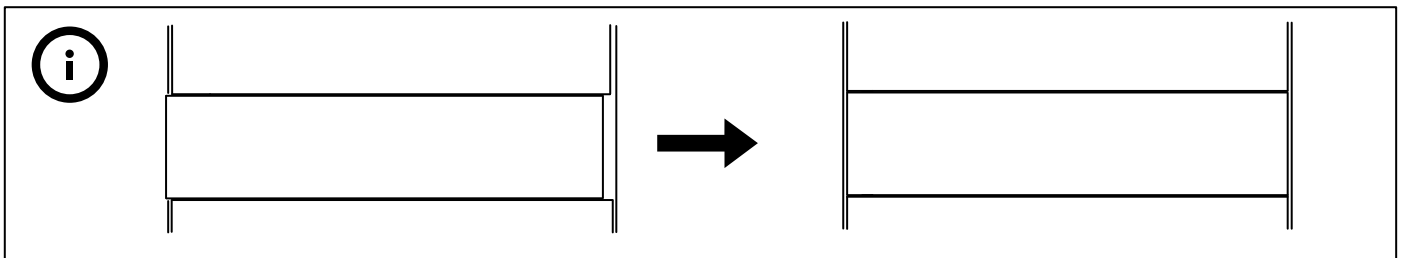
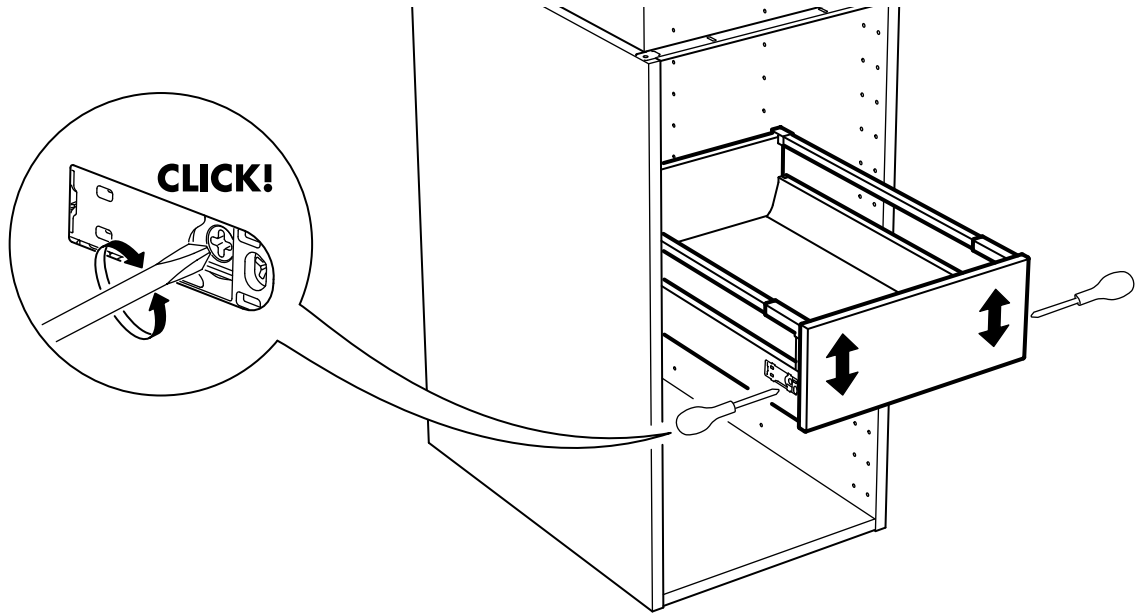
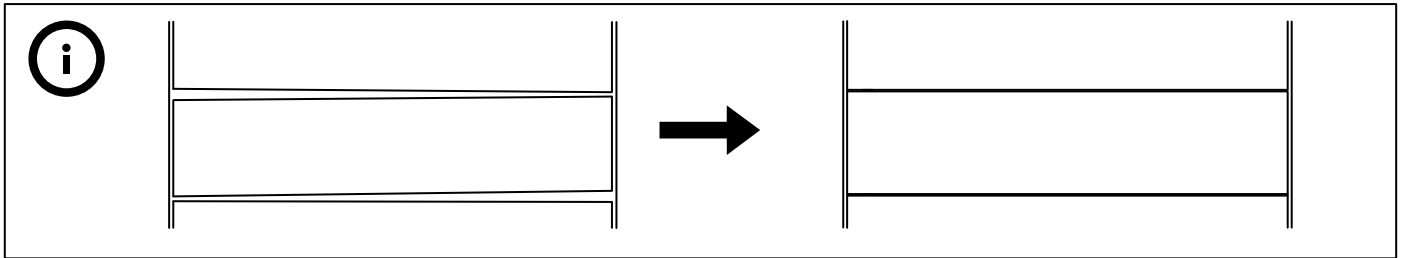


12

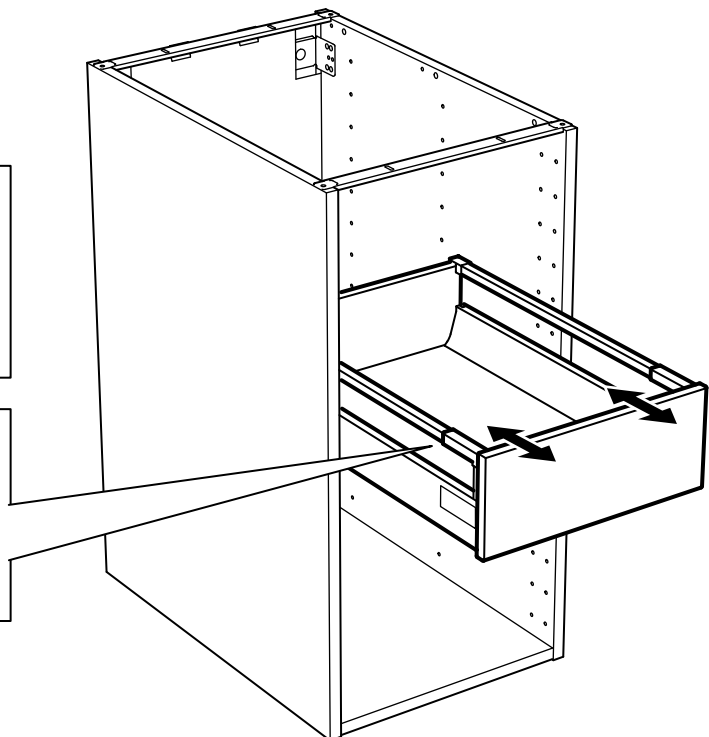
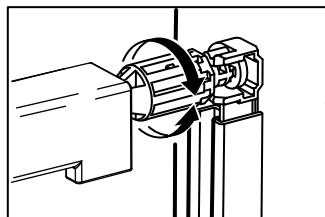
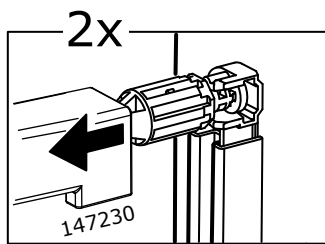
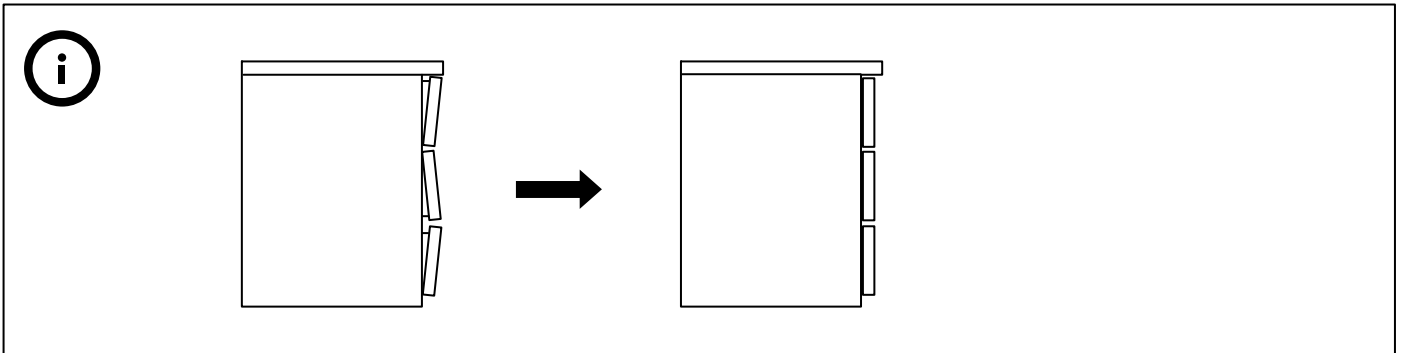
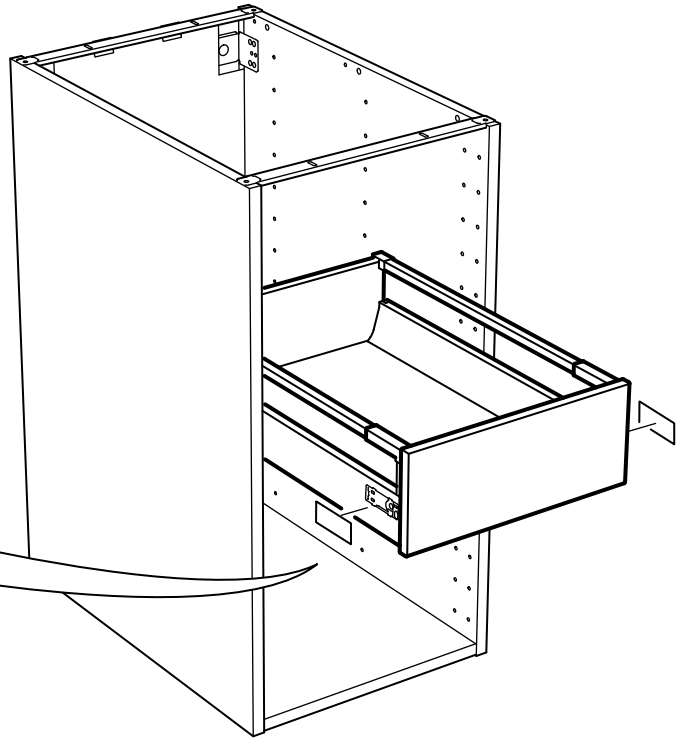
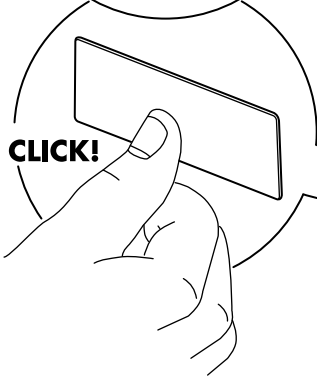
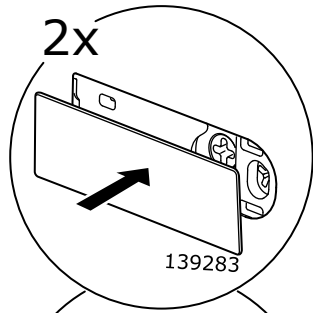


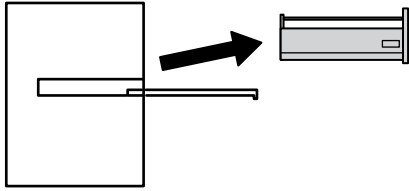
13



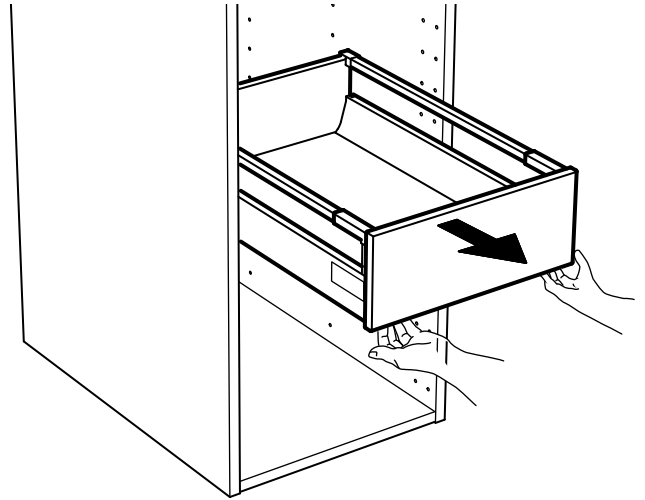


17

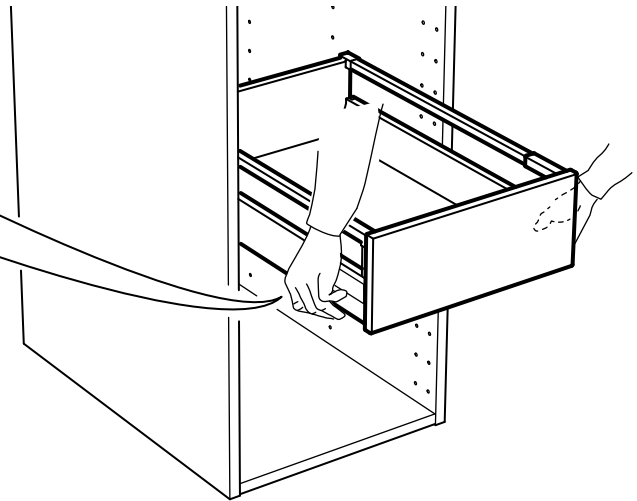
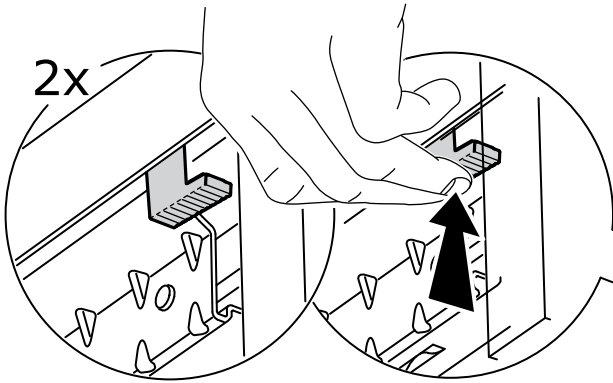




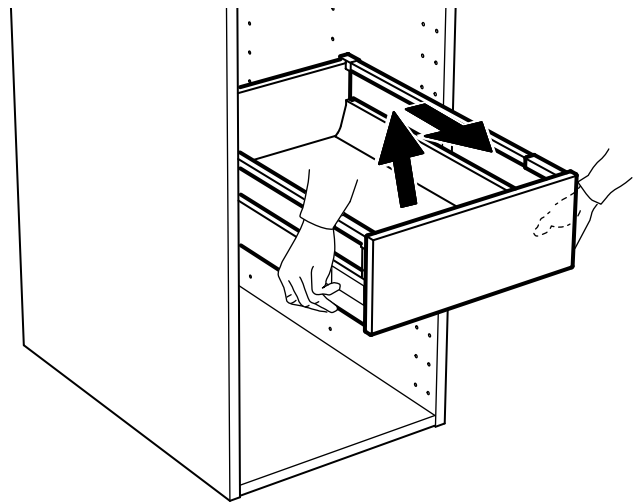
1

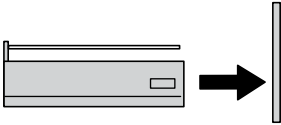


2



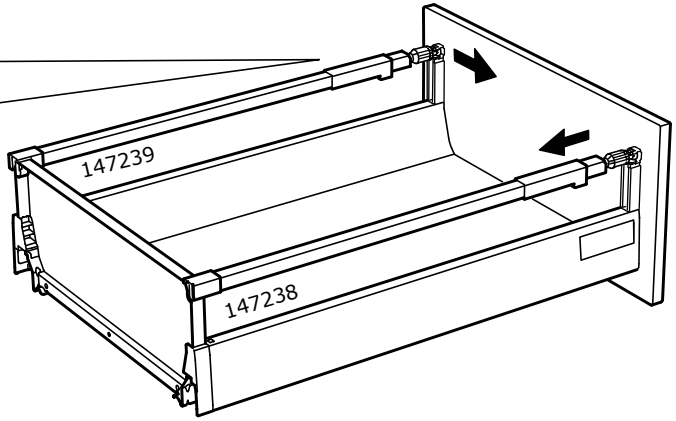
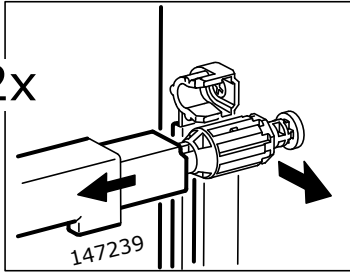
3





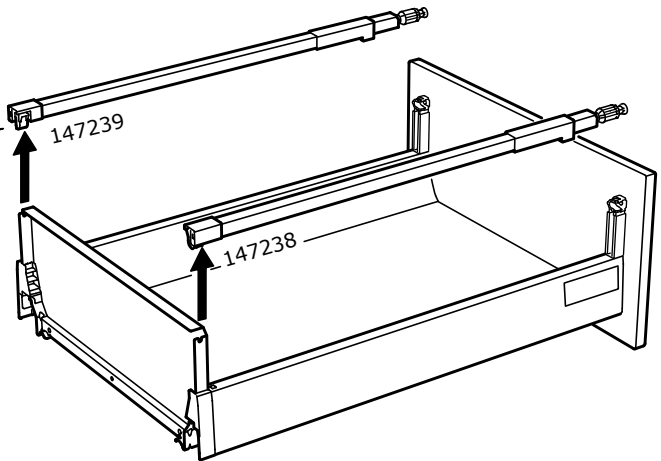
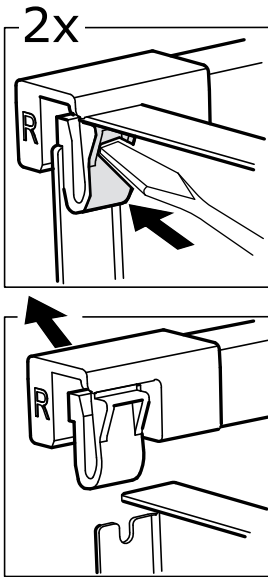
1

2x



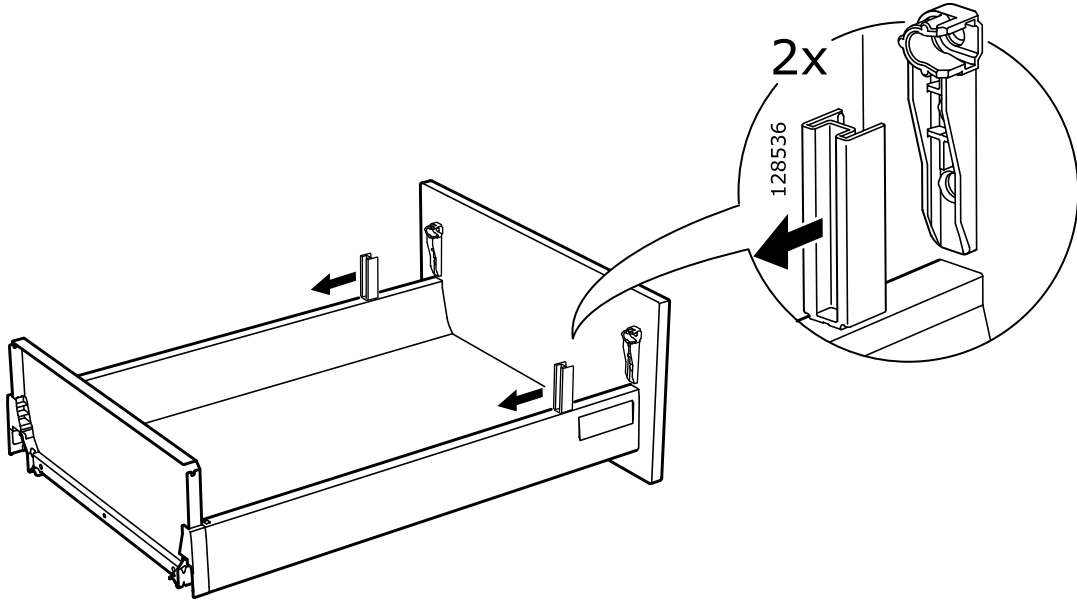
2

2x





3



4

